



Project Name: \_\_\_\_\_

Location: \_\_\_\_\_

Item #: \_\_\_\_\_ Qty: \_\_\_\_\_

Model: \_\_\_\_\_

## SILVER SAVER BURNISHER (1 1/2 HP)

MODEL:  BB-1224



BB-1224

The Blakeslee Silver Saver is the only burnishing unit that will restore luster and brightness to stainless-silver tableware. Special porcelain-ceramic burnishing media and chemical compound makes it possible to restore luster and brightness to stainless steel flatware, hollow ware, aluminum ware, pewter and silverware. So it looks just like new!

### FEATURES AND CONSTRUCTION

- 1.5 HP silver burnisher with open-top design for easy loading and unloading
- Porcelain-ceramic media, non-rusting, 1/3 the weight of steel balls eliminates peening of hollow ware
- Burnishing operation cycle is less than 10 minutes
- Quiet operation, less than 85 decibels
- Exterior is constructed of stainless steel
- Four (4) adjustable feet
- Interior polishing tub is 11-gauge steel with polyurethane lining and chemical compound tank is molded plastic
- Supplied with ceramic burnishing media and polishing compound
- Burnishing compound is safe for brass, silver and stainless steel
- De-tarnishing soaking is not necessary

### ELECTRIC

115V / 60Hz / 1Ph 15 Amps  
Grounded cord and plug

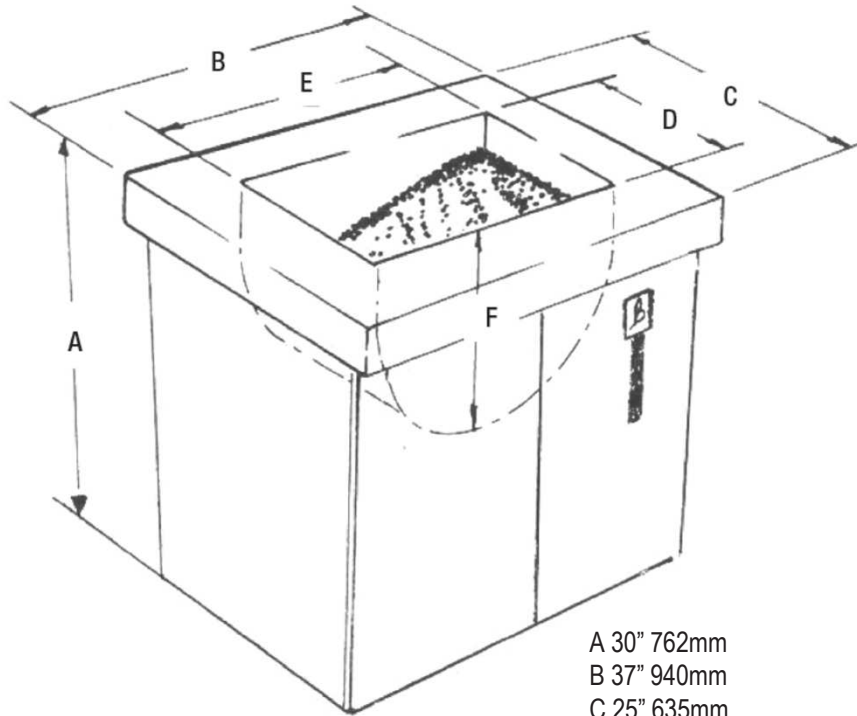
### 3RD PARTY APPROVALS



### BLAKESLEE WARRANTY (USA / CANADA)

Blakeslee burnishers are warrantied for one year from date of installation against defective materials and workmanship; three years tub lining coarse.

Contact Blakeslee USA for details at [service@blakesleeinc.com](mailto:service@blakesleeinc.com) or 630.532.5021



- A 30" 762mm
- B 37" 940mm
- C 25" 635mm
- D 12" 305mm
- E 24" 610mm
- F 19" 483mm

## APPROXIMATE SHIPPING SPECIFICATIONS

| MODEL   | UNIT DIMENSIONS                         | SHIPPING DIMENSIONS                         | ELECTRICAL    | AMPS | UNIT WEIGHT         | SHIPPING WEIGHT     |
|---------|---|---|---------------|------|---------------------|---------------------|
| BB-1224 | 37" x 25" x 30"<br>(940 x 635 x 762 mm) | 43" x 31" x 52.5"<br>(1090 x 787 x 1334 mm) | 115V/60Hz/1Ph | 20A  | 265 lbs<br>(120 kg) | 580 lbs<br>(263 kg) |