

TE 640 3D

for unrebated high performance heavy-duty doors



Product features

- completely concealed hinge system
- for timber, steel or aluminium frames
- for unrebated high performance heavy-duty doors
- sideways closed hinge body for a homogeneous mortise appearance
- with comfortable 3D adjustment (side +/- 3,0 mm, height +/- 3,0 mm, compression +/- 1,0 mm)
- maintenance-free slide bearings

Technical details

Attributes	Value
Load capacity	200,0 kg
Overall length	240,0 mm
Width (door part)	32,0 mm
Width (frame part)	32,0 mm
Cutter diameter	24,0 mm
Opening angle	180°

Note

The load capacity mentioned above refers to two hinges per

Quality marks



Certification CE



Certification IFT



Certification UL

Classification key

4	7	6	1 ^{*1}	1	— ^{*2}	1	14
---	---	---	-----------------	---	-----------------	---	----

^{*1} Test evidence for functional doors to be achieved with full door sets and assemblies.

^{*2} depending on the finish

TECTUS - TE 640 3D

door leaf (1 x 2 m). Also the load capacities of the respective combined receiver have to be taken into consideration. For detailed information please look at the chapter "technical information".

With an opening position of 180° the door may have to be fixed additionally.

Suitable for

Universal milling frame

Template 5 250659 5

Template 5 250689 5

step 1

step 2

Combinations

TE 640 3D FZ

TE 640 3D BW/16

TE 640 3D BW/20

TE 640 3D SZ

TE 640 3D ST

Function range



burglar resistance



fire resistance



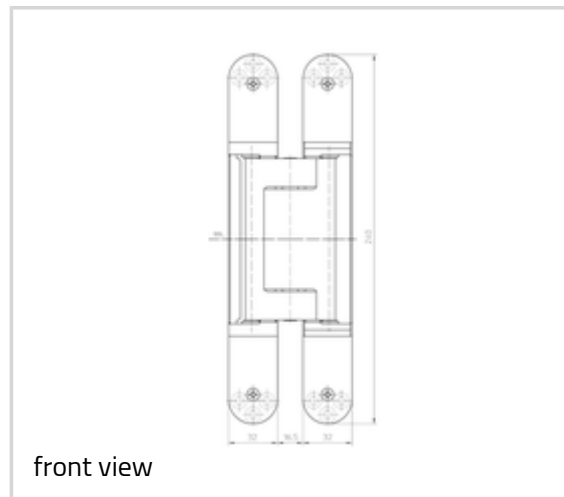
smoke resistance



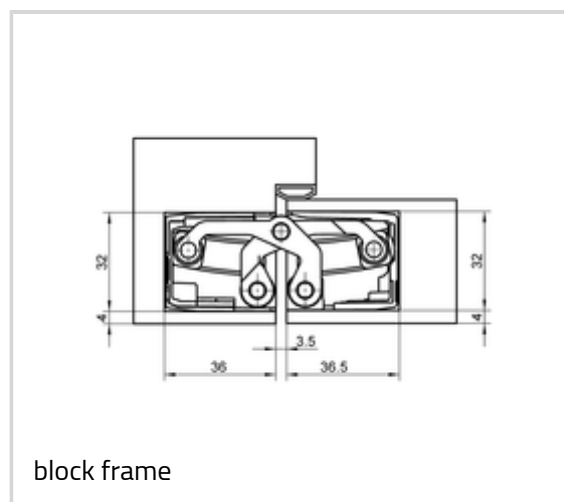
soundproof

Item

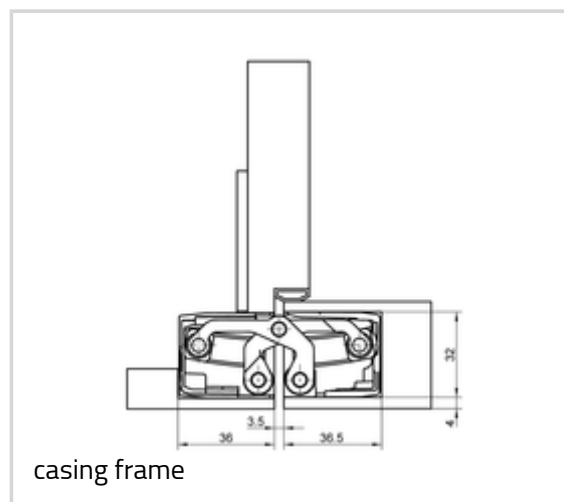
Finish(es)	polished brassed (030)
OF-NR.	030
VPE	pack of 2
DIN	DIN right and left hand
Item No.	5 400696 0 03002
EAN	4015471127312
Finish(es)	polished nickelled (038)
OF-NR.	038



front view



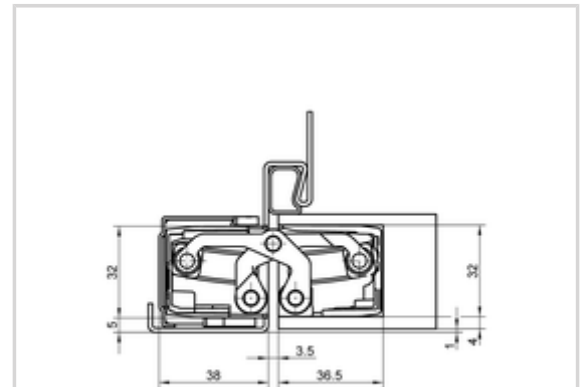
block frame



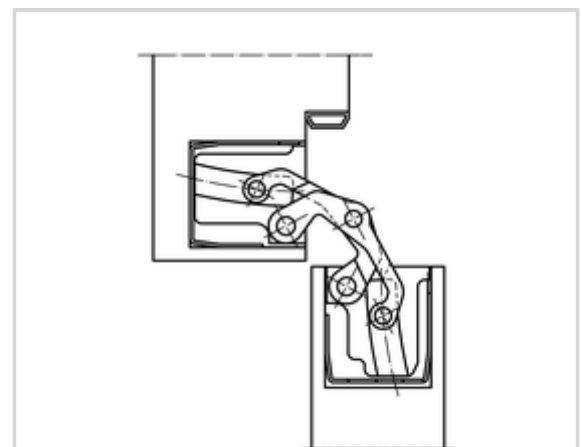
casing frame

TECTUS - TE 640 3D

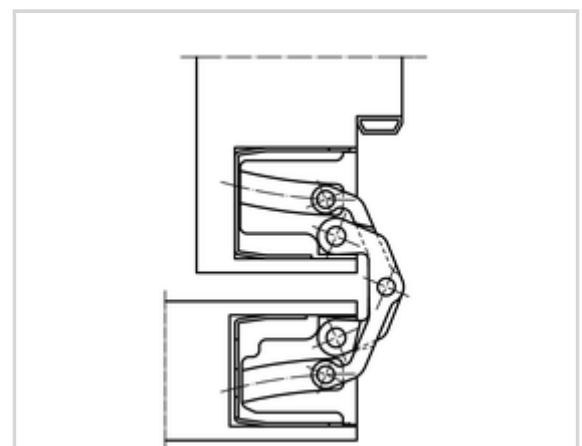
VPE	pack of 2
DIN	DIN right and left hand
Item No.	5 400696 0 03802
EAN	4015471127336
Finish(es)	Satin Chrome Look (F1) (124)
OF-NR.	124
VPE	pack of 2
DIN	DIN right and left hand
Item No.	5 400696 0 12402
EAN	4015471128227
Finish(es)	Satin Nickel Look (F2) (125)
OF-NR.	125
VPE	pack of 2
DIN	DIN right and left hand
Item No.	5 400696 0 12502
EAN	4015471128234
Finish(es)	Stainless Steel Look (SSL) (126)
OF-NR.	126
VPE	pack of 2
DIN	DIN right and left hand
Item No.	5 400696 0 12602
EAN	4015471128456
Finish(es)	Bronze Finish (174)
OF-NR.	174
VPE	pack of 2
DIN	DIN right and left hand
Item No.	5 400696 0 17402
EAN	4015471128494
Finish(es)	Bronze Finish light (175)
OF-NR.	175
VPE	pack of 2
DIN	DIN right and left hand
Item No.	5 400696 0 17502
EAN	4015471128500
Finish(es)	Bronze Finish dark (176)
OF-NR.	176



steel frame



block frame 90°



block frame 180°

TECTUS - TE 640 3D

VPE	pack of 2
DIN	DIN right and left hand
Item No.	5 400696 0 17602
EAN	4015471128517
Finish(es)	coloured (079)
OF-NR.	079
VPE	EUR-pallet
DIN	DIN right and left hand
Item No.	5 400696 0 07975
EAN	4015471128166