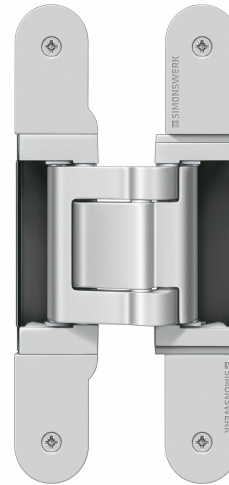


TE 541 3D FVZ

for unrebated residential and heavy-duty doors with recessed frame facings



Product features

- FVZ = recessed frame facings
- recessed frame facings up to 14,0 mm
- completely concealed hinge system
- for timber, steel or aluminium frames
- for unrebated heavy-duty doors
- sideways closed hinge body for a homogeneous mortise appearance
- with comfortable 3D adjustment (side +/- 3,0 mm, height +/- 3,0 mm, compression +/- 1,0 mm)
- maintenance-free slide bearings

Technical details

Attributes	Value
Load capacity	100,0 kg
Overall length	185,0 mm
Width (door part)	28,0/32,0 mm
Width (frame part)	28,0/33,0 mm
Cutter diameter	24,0 mm
Opening angle	180°

Quality marks



Certification CE



Certification IFT



Certification Warringtonfire

Classification key

4	7	5	1 ^{*1}	1	— ^{*2}	0	12
---	---	---	-----------------	---	-----------------	---	----

^{*1} Test evidence for functional doors to be achieved with full door sets and assemblies.

^{*2} depending on the finish

TECTUS - TE 541 3D FVZ

VPE	pack of 2
DIN	DIN right and left hand
Item No.	5 400631 0 03802
EAN	4015471120047

Finish(es)	Satin Chrome Look (F1) (124)
OF-NR.	124
VPE	pack of 2
DIN	DIN right and left hand
Item No.	5 400631 0 12402
EAN	4015471110130

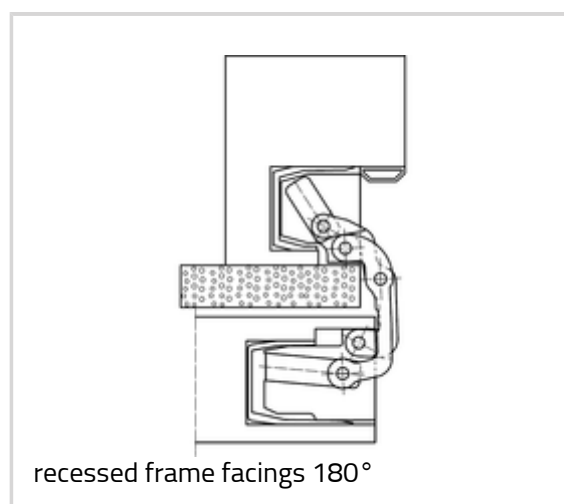
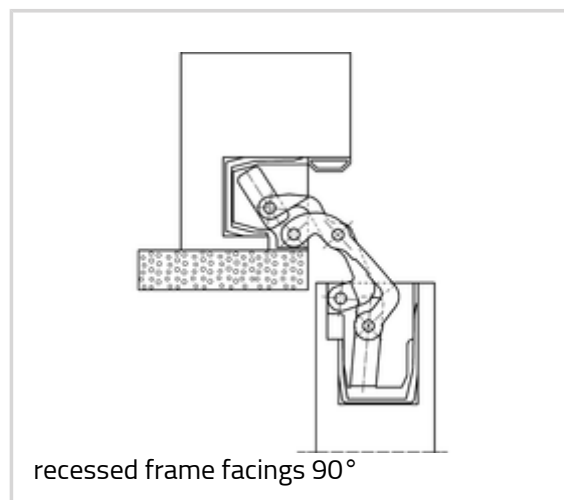
Finish(es)	Satin Nickel Look (F2) (125)
OF-NR.	125
VPE	pack of 2
DIN	DIN right and left hand
Item No.	5 400631 0 12502
EAN	4015471119263

Finish(es)	Stainless Steel Look (SSL) (126)
OF-NR.	126
VPE	pack of 2
DIN	DIN right and left hand
Item No.	5 400631 0 12602
EAN	4015471110147

Finish(es)	Bronze Finish (174)
OF-NR.	174
VPE	pack of 2
DIN	DIN right and left hand
Item No.	5 400631 0 17402
EAN	4015471134044

Finish(es)	Bronze Finish dark (176)
OF-NR.	176
VPE	pack of 2
DIN	DIN right and left hand
Item No.	5 400631 0 17602
EAN	4015471131838

Finish(es)	coloured (079)
OF-NR.	079



TECTUS - TE 541 3D FVZ

VPE	EUR-pallet
DIN	DIN right and left hand
Item No.	5 400631 0 07975
EAN	4015471119270