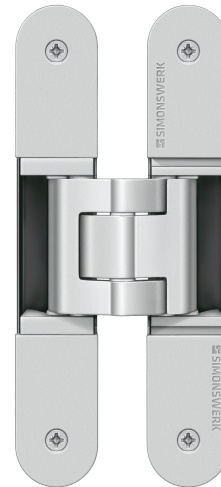


## TE 340 3D

for unrebated residential and heavy-duty doors



### Product features

- completely concealed hinge system
- for timber, steel or aluminium frames
- for unrebated residential and heavy-duty doors
- sideways closed hinge body for a homogeneous mortise appearance
- with comfortable 3D adjustment (side +/- 3,0 mm, height +/- 3,0 mm, compression +/- 1,0 mm)
- maintenance-free slide bearings

### Technical details

Attributes	Value
Load capacity	80,0 kg
Overall length	160,0 mm
Width (door part)	28,0 mm
Width (frame part)	28,0 mm
Cutter diameter	24,0 mm
Opening angle	180°

### Note

The load capacity mentioned above refers to the use of 2 hinges

### Quality marks



Certification CE



Certification IFT



Certification UL

warringtonfire

Certification Warringtonfire

### Classification key

3	7	4	1 <sup>*1</sup>	1	— <sup>*2</sup>	0	11
---	---	---	-----------------	---	-----------------	---	----

<sup>\*1</sup> Test evidence for functional doors to be achieved with full door sets and assemblies.

<sup>\*2</sup> depending on the finish

## TECTUS - TE 340 3D

per door leaf (1 x 2 m), for detailed information please look at the chapter "technical information".

With an opening position of 180° the door may have to be fixed additionally.

### Suitable for

Universal milling frame

Template 5 250693 5

Template 5 250694 5

step 1

step 2

### Combinations

TE 340 3D FZ

TE 340 3D SZ

TE 340 3D ST

### Function range



burglar resistance



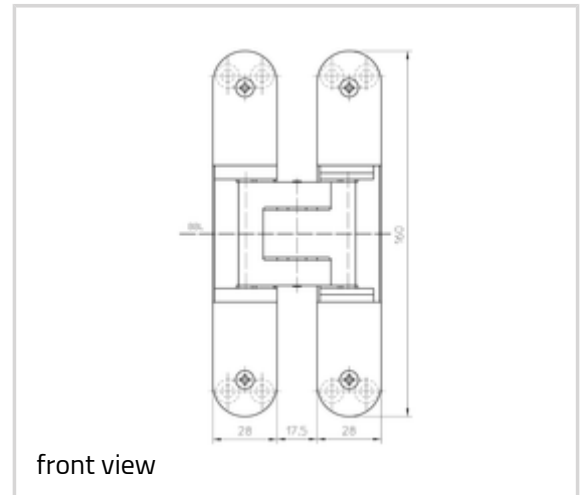
fire resistance



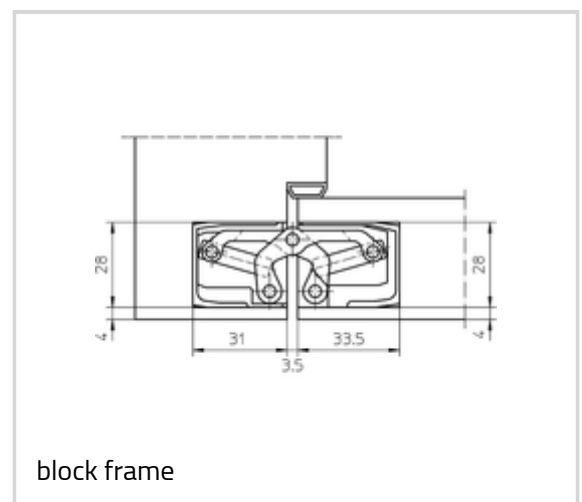
smoke resistance

### Item

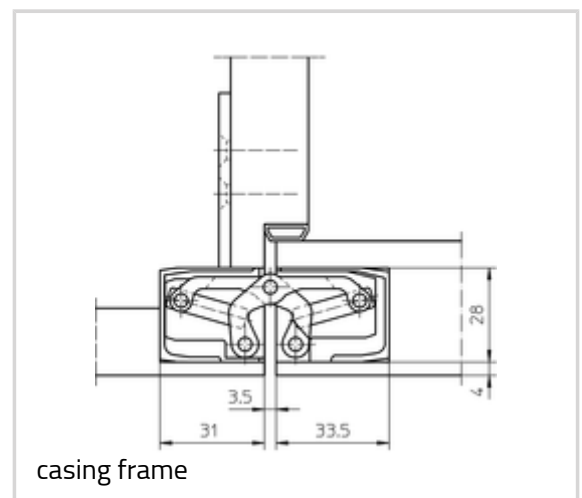
Finish(es)	polished brass (030)
OF-NR.	030
VPE	pack of 2
DIN	DIN right and left hand
Item No.	5 400605 0 03002
EAN	4015471106553
Finish(es)	polished nickelled (038)
OF-NR.	038
VPE	pack of 2
DIN	DIN right and left hand
Item No.	5 400605 0 03802
EAN	4015471106577
Finish(es)	RAL 9016 Traffic White



front view



block frame



casing frame

**TECTUS - TE 340 3D**

	(070)
OF-NR.	070
VPE	pack of 2
DIN	DIN right and left hand
Item No.	5 400605 0 07002
EAN	4015471106584

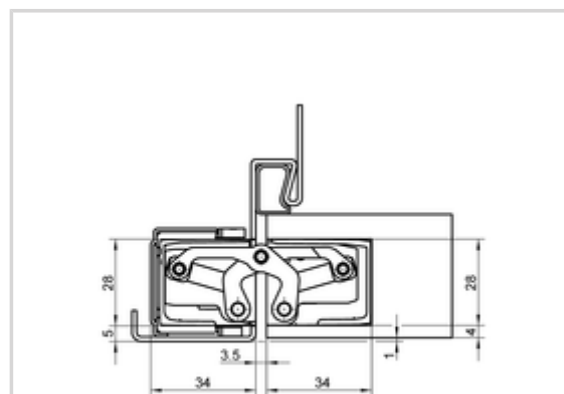
Finish(es)	RAL 9005 Matte Black (107)
OF-NR.	107
VPE	pack of 2
DIN	DIN right and left hand
Item No.	5 400605 0 10702
EAN	4015471106607

Finish(es)	Satin Chrome Look (F1) (124)
OF-NR.	124
VPE	pack of 2
DIN	DIN right and left hand
Item No.	5 400605 0 12402
EAN	4015471106614

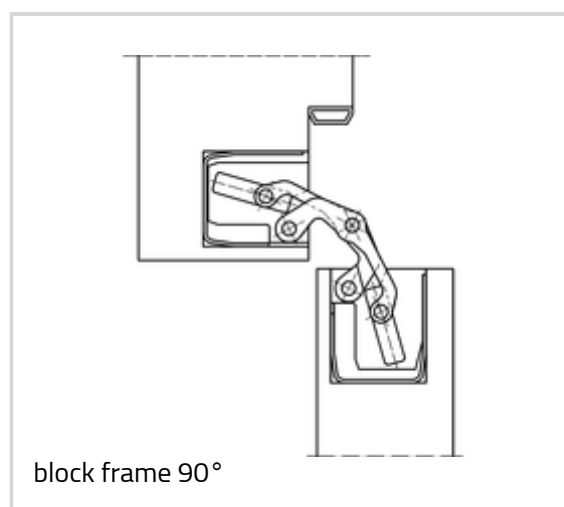
Finish(es)	Satin Nickel Look (F2) (125)
OF-NR.	125
VPE	pack of 2
DIN	DIN right and left hand
Item No.	5 400605 0 12502
EAN	4015471106638

Finish(es)	Stainless Steel Look (SSL) (126)
OF-NR.	126
VPE	pack of 2
DIN	DIN right and left hand
Item No.	5 400605 0 12602
EAN	4015471106652

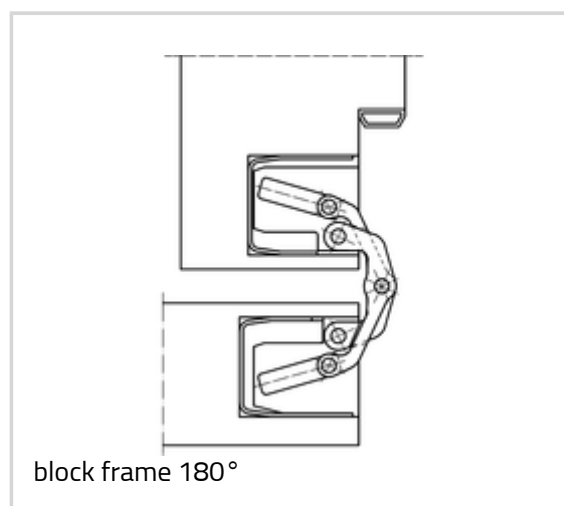
Finish(es)	Satin Nickel (144)
OF-NR.	144
VPE	pack of 2
DIN	DIN right and left hand
Item No.	5 400605 0 14402
EAN	4015471106669



steel frame



block frame 90°



block frame 180°

**TECTUS - TE 340 3D**

Finish(es)	Satin Chrome (146)
OF-NR.	146
VPE	pack of 2
DIN	DIN right and left hand
Item No.	5 400605 0 14602
EAN	4015471109592
Finish(es)	Rustic Umber (156)
OF-NR.	156
VPE	pack of 2
DIN	DIN right and left hand
Item No.	5 400605 0 15602
EAN	4015471106676
Finish(es)	Bronze Metallic (168)
OF-NR.	168
VPE	pack of 2
DIN	DIN right and left hand
Item No.	5 400605 0 16802
EAN	4015471106683
Finish(es)	Bronze Finish (174)
OF-NR.	174
VPE	pack of 2
DIN	DIN right and left hand
Item No.	5 400605 0 17402
EAN	4015471114190
Finish(es)	Bronze Finish light (175)
OF-NR.	175
VPE	pack of 2
DIN	DIN right and left hand
Item No.	5 400605 0 17502
EAN	4015471114206
Finish(es)	Bronze Finish dark (176)
OF-NR.	176
VPE	pack of 2
DIN	DIN right and left hand
Item No.	5 400605 0 17602
EAN	4015471114213
Finish(es)	coloured (079)
OF-NR.	079

---

**TECTUS - TE 340 3D**

VPE	EUR-pallet
DIN	DIN right and left hand
Item No.	5 400605 0 07975
EAN	4015471123888