

TE 240 3D

for unrebated and rebated flush residential doors



Product features

- completely concealed hinge system
- for timber, steel or aluminium frames
- for unrebated and rebated flush residential doors
- sideways closed hinge body for a homogeneous mortise appearance
- 3D adjustment (side +/- 3,0 mm, height +/- 3,0 mm, compression +/- 1,5 mm)
- maintenance-free slide bearings

Technical details

Attributes	Value
Load capacity	60,0 kg
Overall length	155,0 mm
Width (door part)	18,0 mm
Width (frame part)	21,0 mm
Cutter diameter	16,0 mm
Opening angle	180°

Note

The load capacity mentioned above refers to the use of 2 hinges

Quality marks



Certification CE

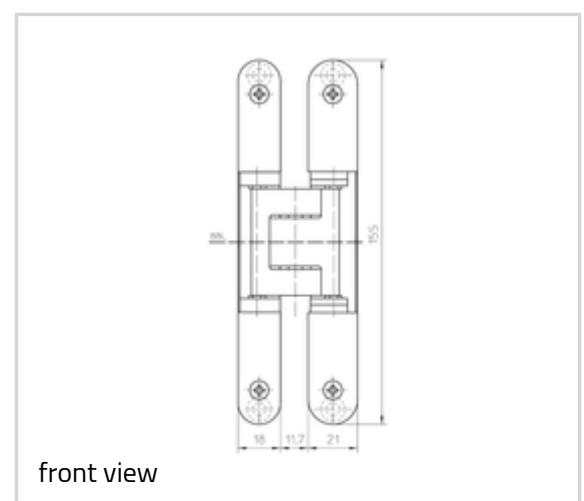


Certification IFT

Classification key

2	7	2	0	1	—	1	0	7
---	---	---	---	---	---	---	---	---

*1 depending on the finish



TECTUS - TE 240 3D

per door leaf (1 x 2 m), for detailed information please look at the chapter "technical information".

With an opening position of 180° the door may have to be fixed additionally.

Suitable for

Universal milling frame

Template 5 250691 6

Template 5 250692 6

frame
door leaf

Combinations

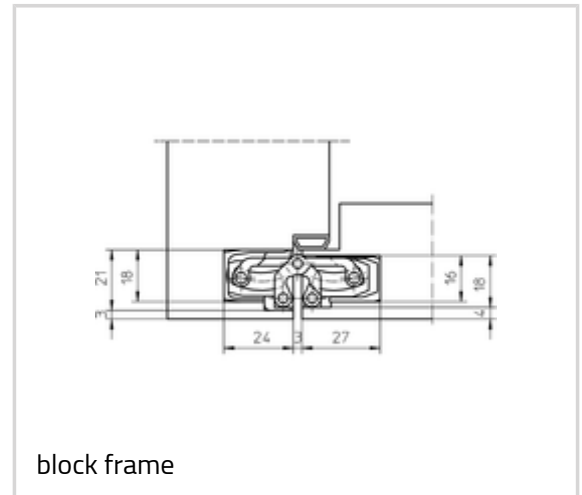
TE 240 3D FZ

TE 240 3D SZ

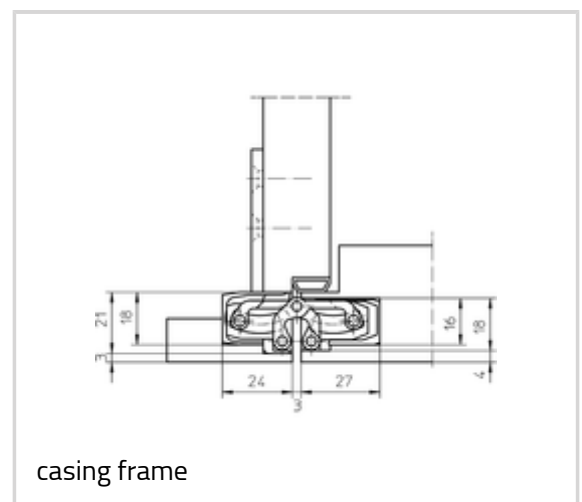
TE 240 3D ST

Item

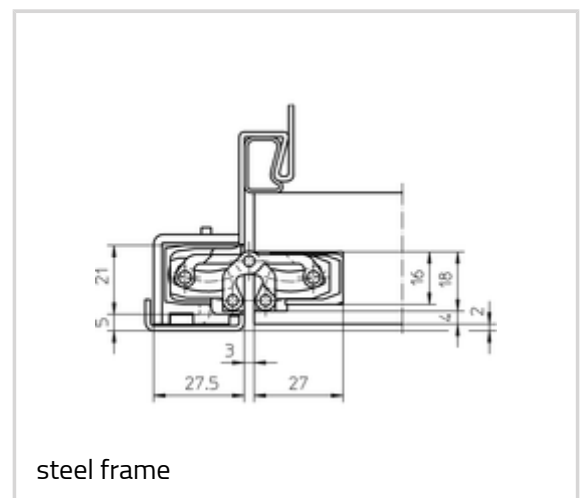
Finish(es)	polished brassed (030)
OF-NR.	030
VPE	pack of 2
DIN	DIN right and left hand
Item No.	5 400679 0 03002
EAN	4015471122980
Finish(es)	polished nickelled (038)
OF-NR.	038
VPE	pack of 2
DIN	DIN right and left hand
Item No.	5 400679 0 03802
EAN	4015471122997
Finish(es)	Satin Chrome Look (F1) (124)
OF-NR.	124
VPE	pack of 2
DIN	DIN right and left hand
Item No.	5 400679 0 12402
EAN	4015471122973



block frame



casing frame



steel frame

TECTUS - TE 240 3D

Finish(es)	Satin Nickel Look (F2) (125)
OF-NR.	125
VPE	pack of 2
DIN	DIN right and left hand
Item No.	5 400679 0 12502
EAN	4015471123017

Finish(es)	Stainless Steel Look (SSL) (126)
OF-NR.	126
VPE	pack of 2
DIN	DIN right and left hand
Item No.	5 400679 0 12602
EAN	4015471123024

Finish(es)	Bronze Finish (174)
OF-NR.	174
VPE	pack of 2
DIN	DIN right and left hand
Item No.	5 400679 0 17402
EAN	4015471123031

Finish(es)	Bronze Finish light (175)
OF-NR.	175
VPE	pack of 2
DIN	DIN right and left hand
Item No.	5 400679 0 17502
EAN	4015471123048

Finish(es)	Bronze Finish dark (176)
OF-NR.	176
VPE	pack of 2
DIN	DIN right and left hand
Item No.	5 400679 0 17602
EAN	4015471123055

Finish(es)	coloured (079)
OF-NR.	079
VPE	EUR-pallet
DIN	DIN right and left hand
Item No.	5 400679 0 07975
EAN	4015471123000

