



DURSTON
TOOLS®

Superior Jeweller's Bench Instructions



Superior Jeweller's Bench #1918 (Issued 31 May 2023)

If you have any further queries or questions relating to your Bench, please do not
hesitate to contact us:



support@durston.com



+44 (0) 1494 535388 / +44 (0) 1494 526777

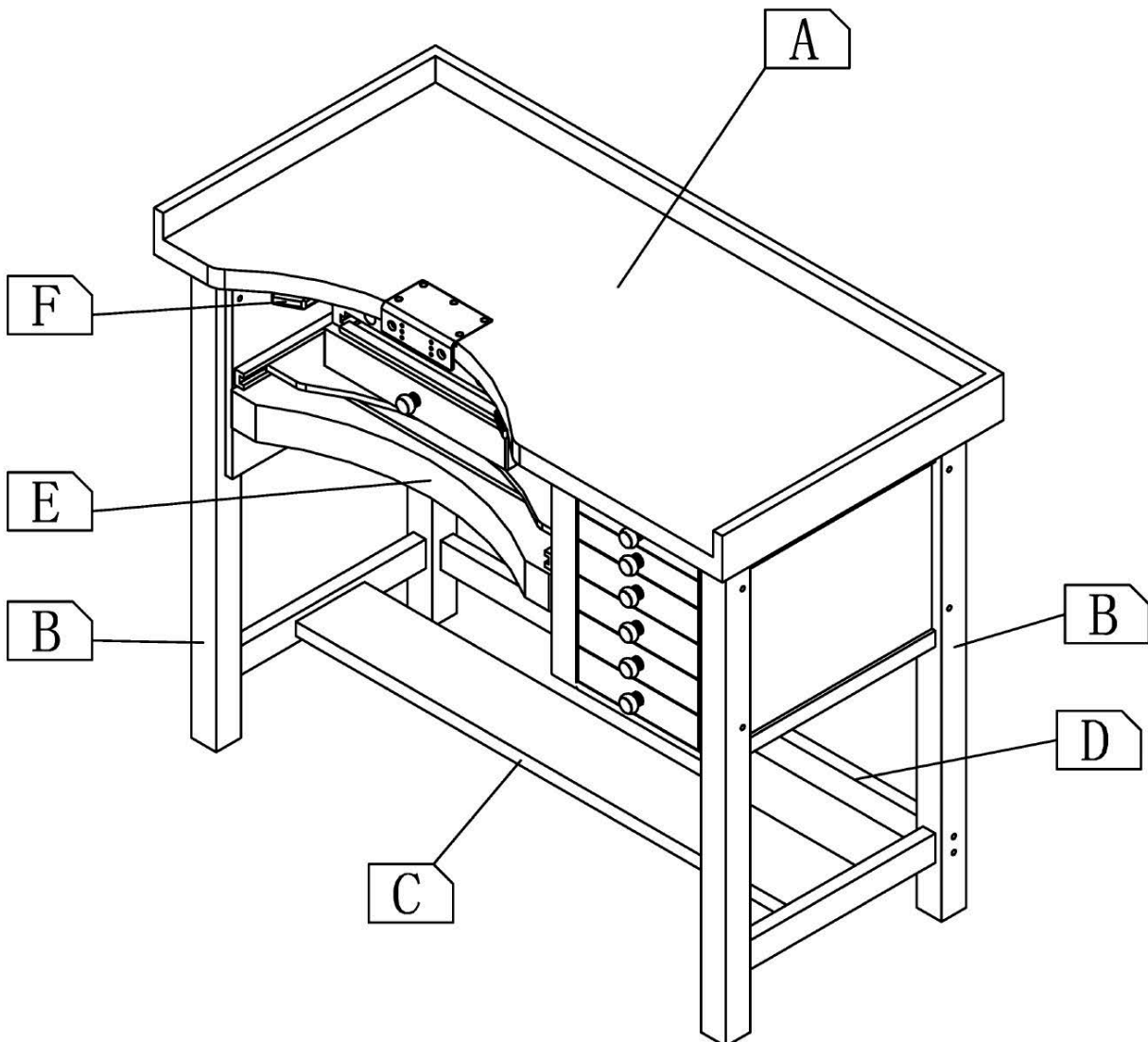


www.durston.com

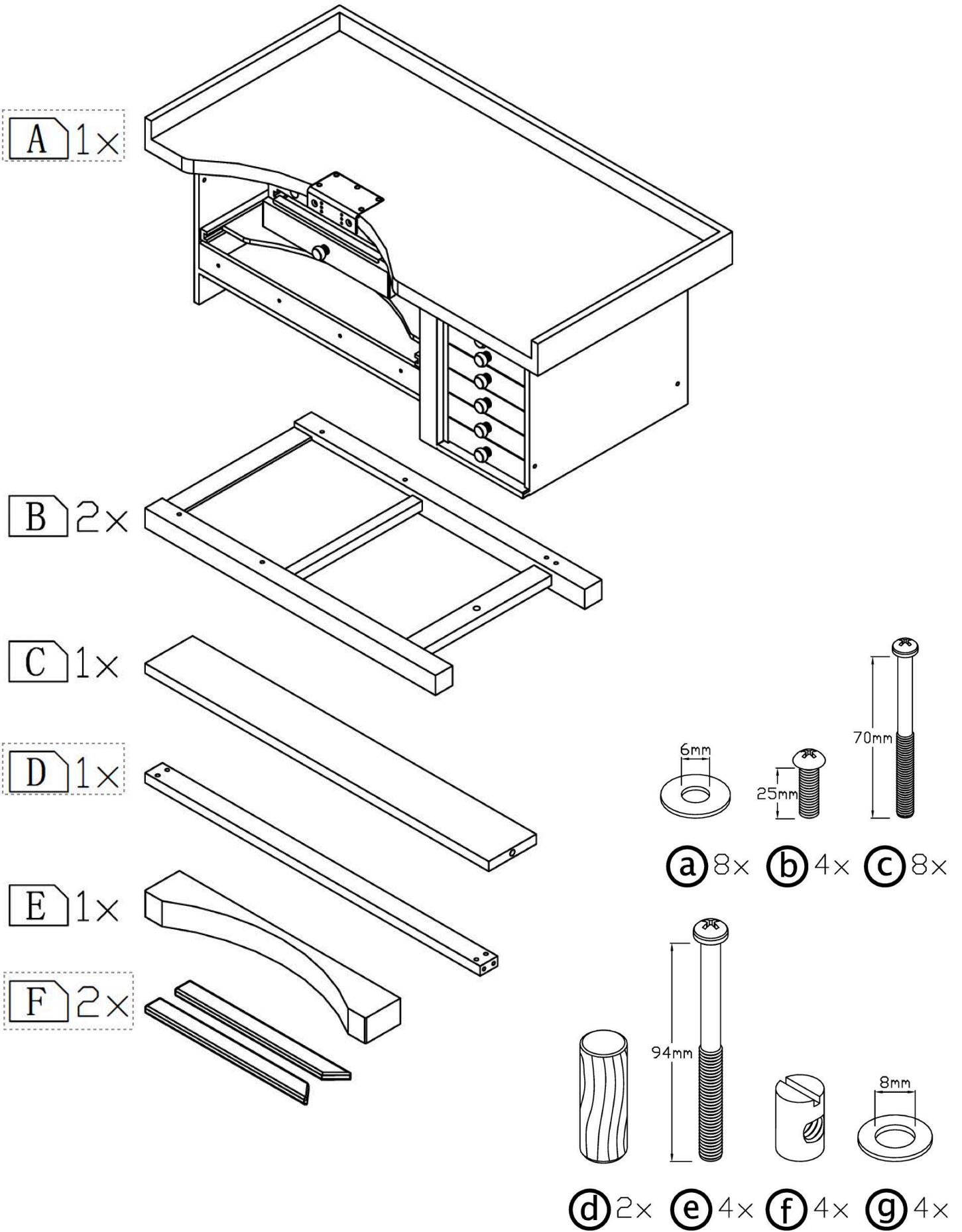
We recommend 2 people to assemble this bench - Total Box Weight 100kg

Thank you for purchasing your Durston Bench. With the correct care and use it will last many years and possibly a lifetime. The Superior Workbench from Durston Tools is beautifully made from eco-friendly materials with a solid hardwood top creating a super-strong work surface to give a lifetime of use. The Superior Bench also features a front attachment plate to attach a bench peg or other accessories, arm rests and mandrel holes plus an additional pull-out working area. (Bench peg / adapter sold separately)

- Large Size Durable Hardwood Worktop with a retaining surround
- Pull-out Arm Rests and Holes for Mandrels
- Bench Peg Mount (bracket and peg sold separately)
- Bench Mount Plate Compatible with GRS accessories
- Pull-out Soldering Board
- Pull-out Additional Work Area
- 1 Large Pull-out Tray Draw with Galvanised Tray
- 7 Storage Drawers
- Foot Rest
- Arrives pre-built (excluding legs)
- Made from Quality Hardwood (some non structural parts made with HDF)



Box Contents

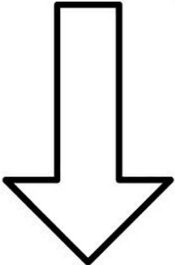
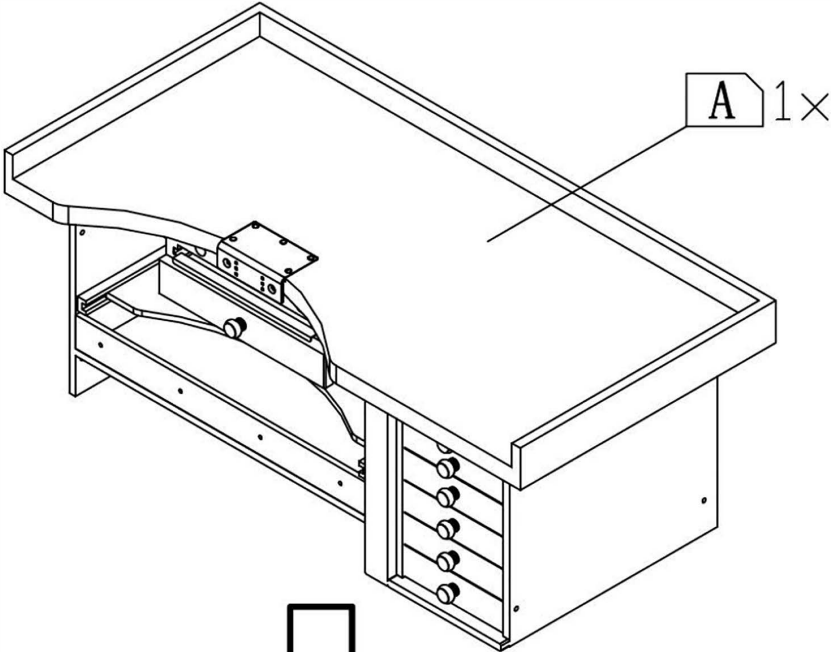


Assembling Your Bench

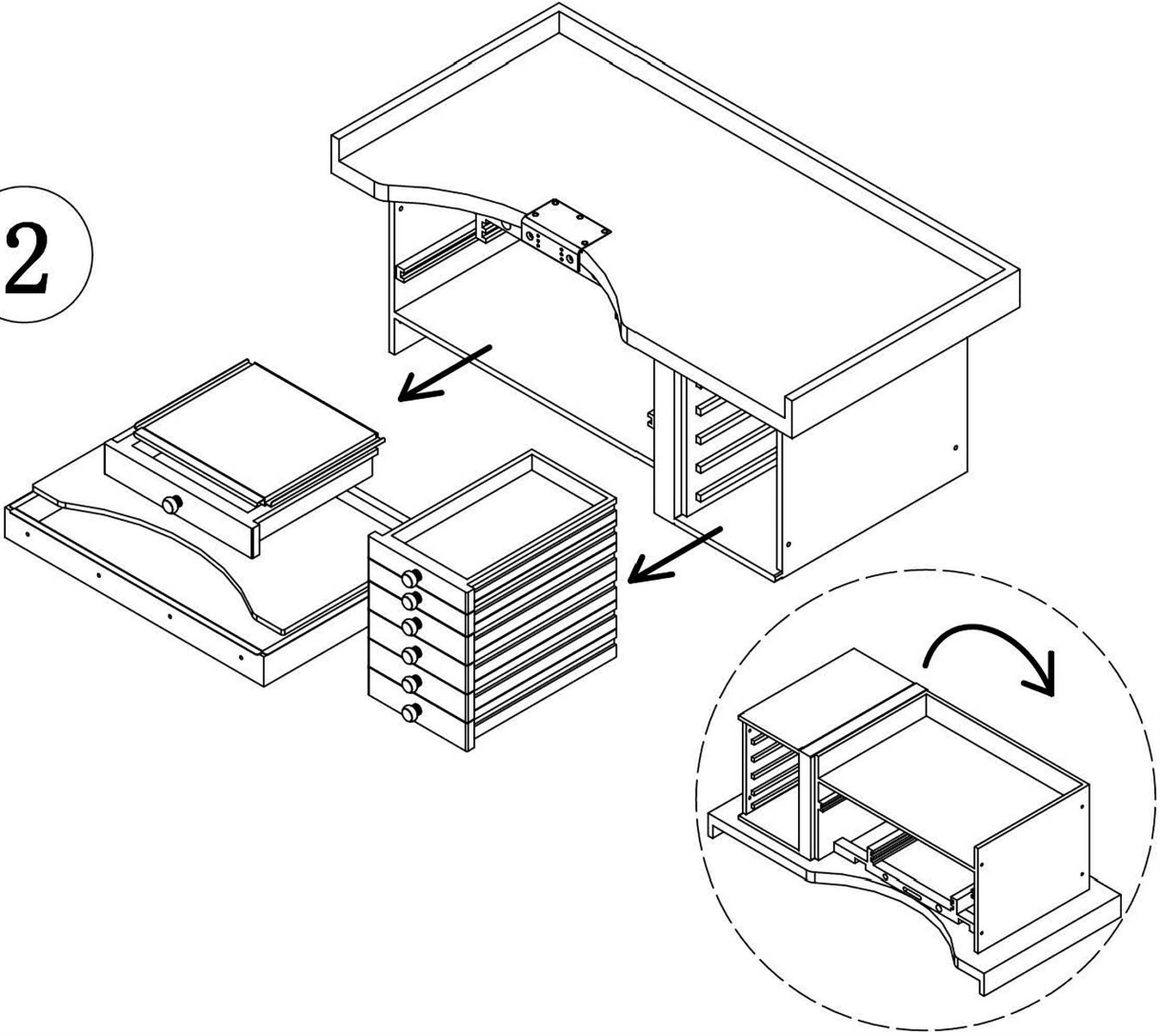
1

After removing all of the box contents, the first step is to remove the drawers from the main body (a) this prevents anything falling out when turning.

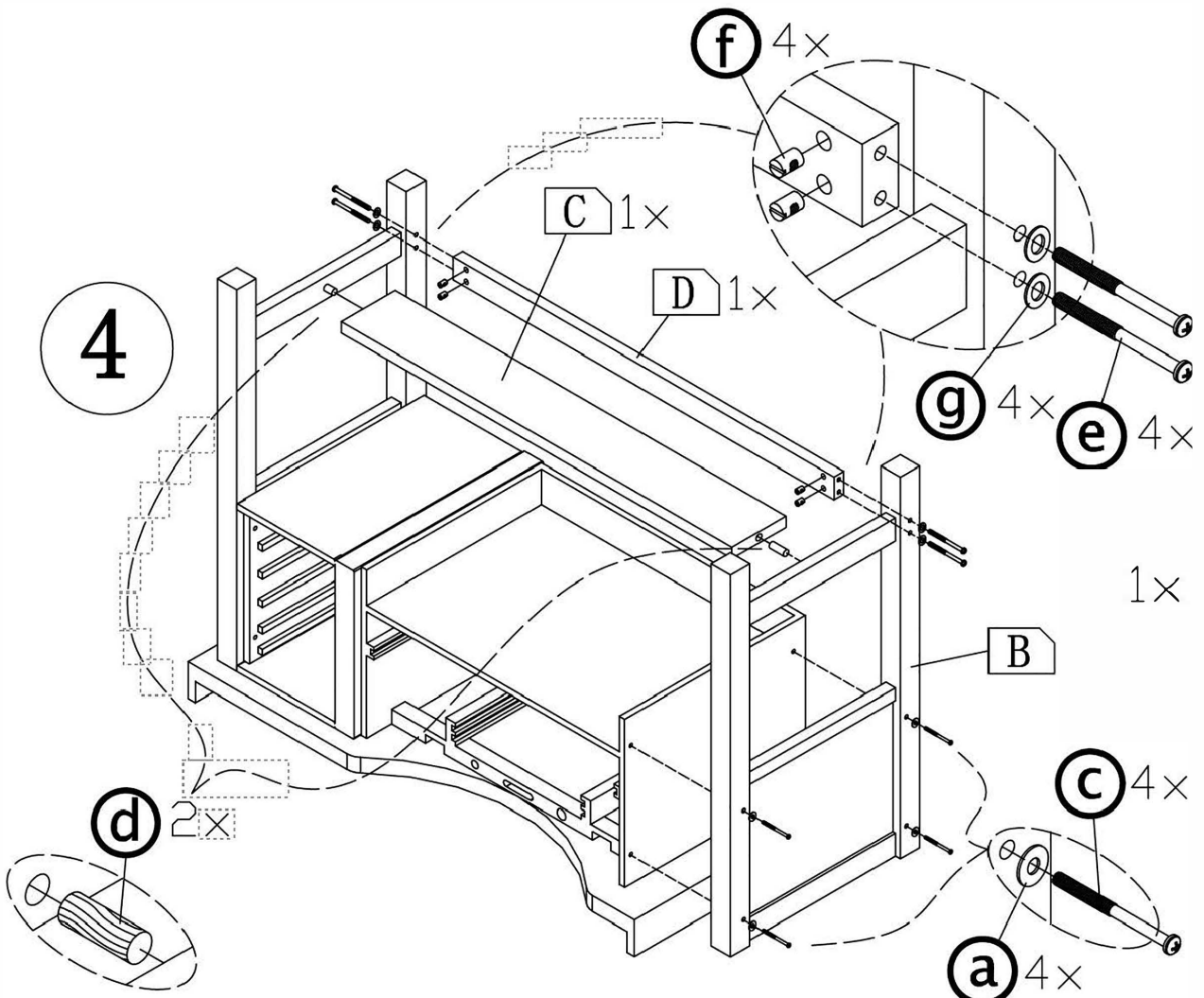
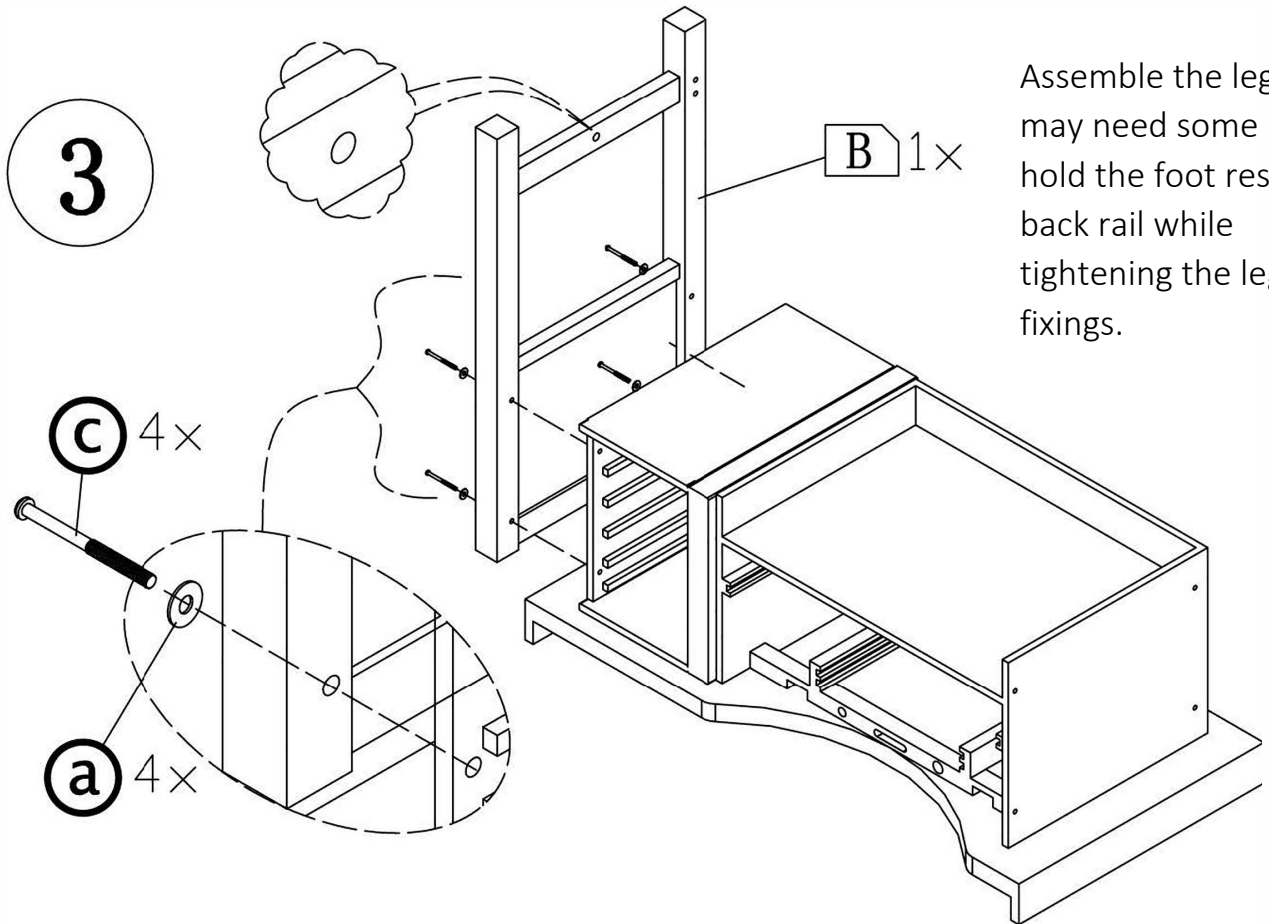
After removing, turn upside down. remember to use something on the floor to protect the top of the bench.



2

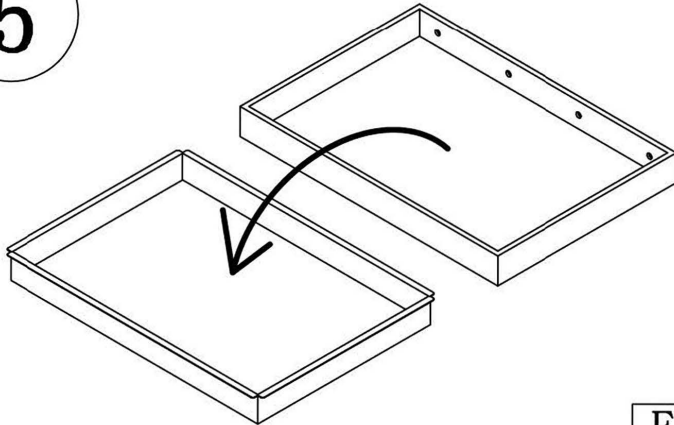


Assembling Your Bench

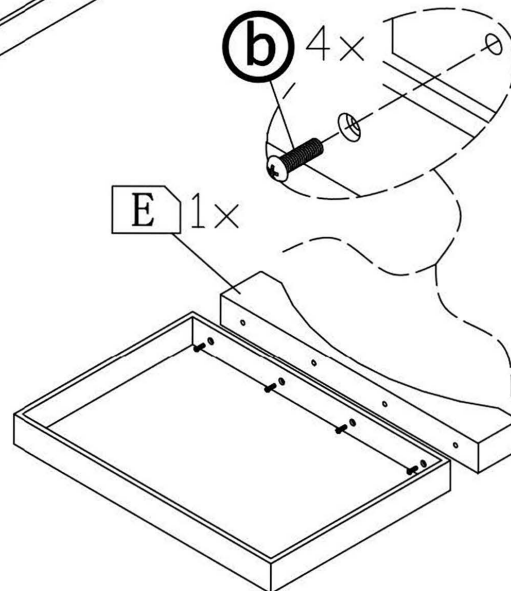


Assembling Your Bench

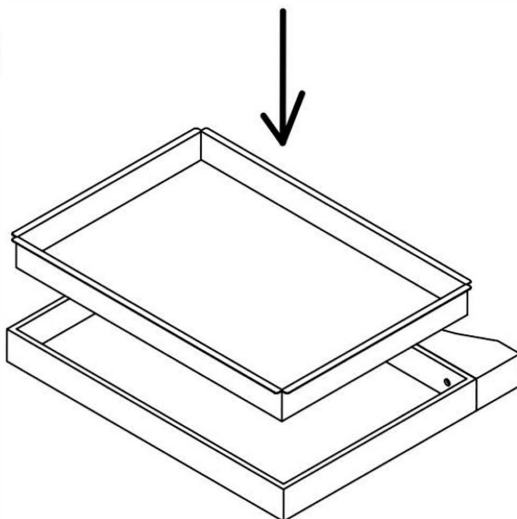
5



Remove the metal tray from the large drawer, this will expose the holes for fixing the front of the main drawer.



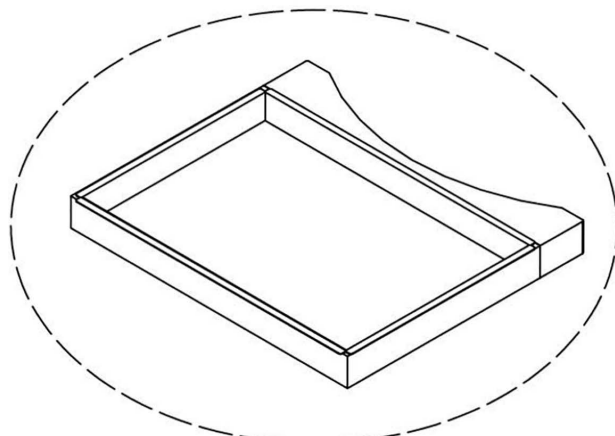
6



Now replace the metal tray

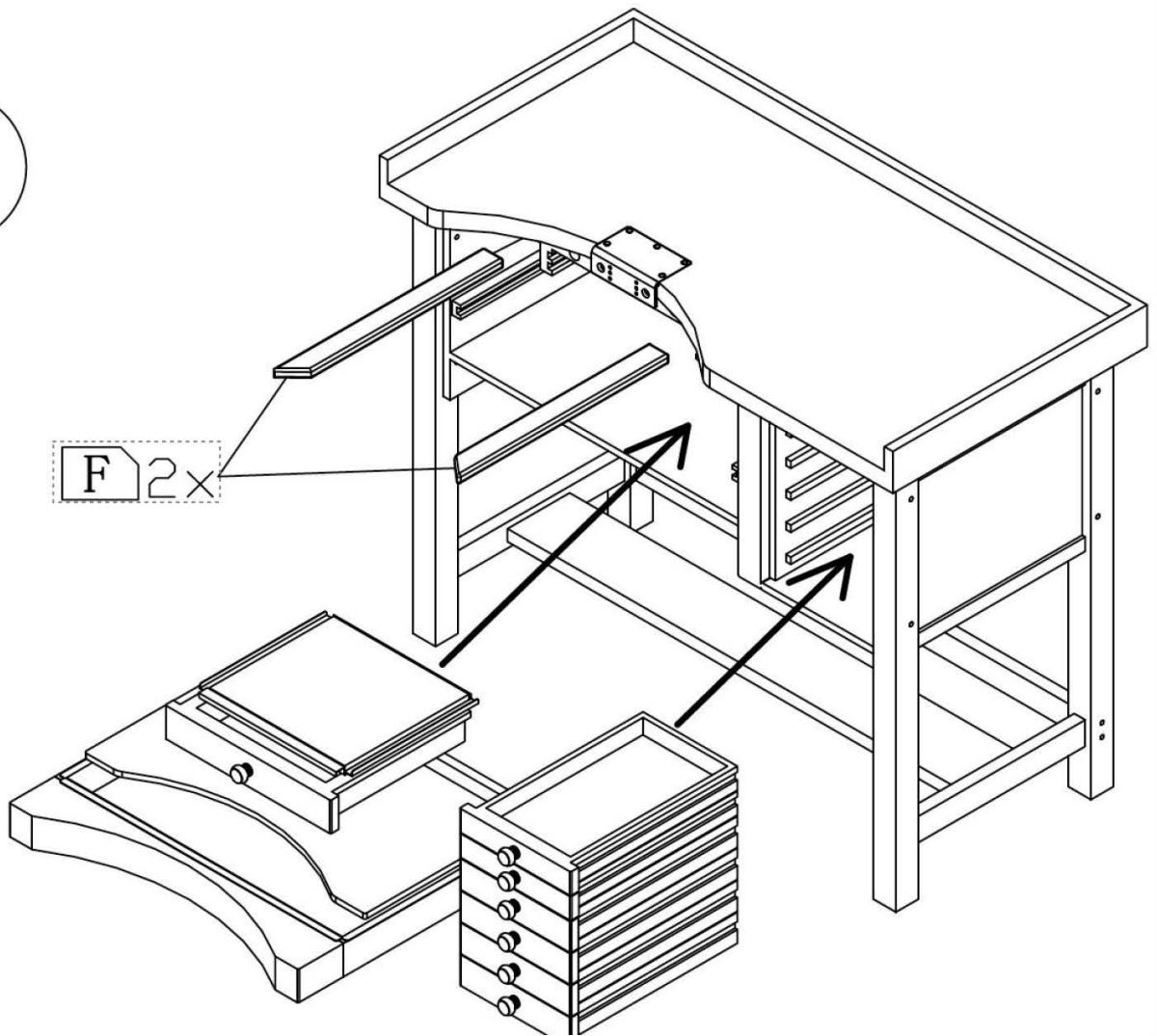
Its time to stand your bench up. get help from a second person to stand the bench up.

Then move to your desired position. Its easier to move the bench before replacing the drawers incase any slide out and to make lighter work.



Assembling Your Bench

7



When your bench is in position you can replace all of the drawers.

Now your Durston Superior Bench is ready for many years of work.

If you have any queries please contact our support team support@durston.com