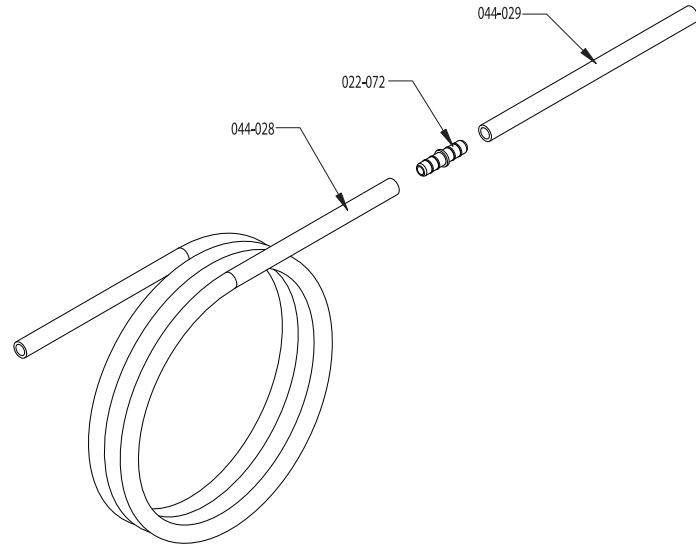
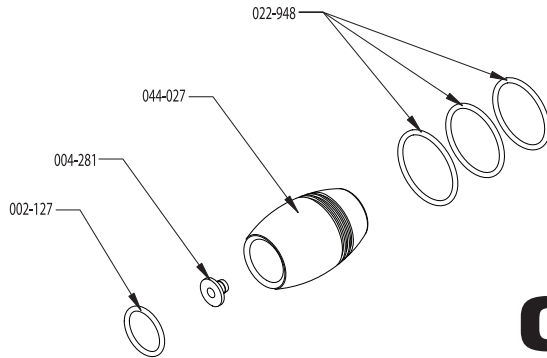


GRS Magnum Handpiece Oval Knob Kit PARTS LIST

For GraverMach / GraverMax SC • 004-941

Part No. Description

- 002-127 O-ring
- 004-281 Hose retainer
- 022-072 Tube fitting 5/32" ID
- 022-948 O-ring, .285" OD .145" ID
- 044-027 Oval knob
- 044-028 Tubing, PU CLR .250" OD .160" ID
- 044-029 Tubing, PU CLR .250" OD .170" ID



GLENDO
CORPORATION

900 Overlander Road • Emporia, KS 66801 USA
800-835-3519 • 620-343-1084 • Fax: 620-343-9640
grs@grstools.com • www.grstools.com
Last Updated: January 17, 2013