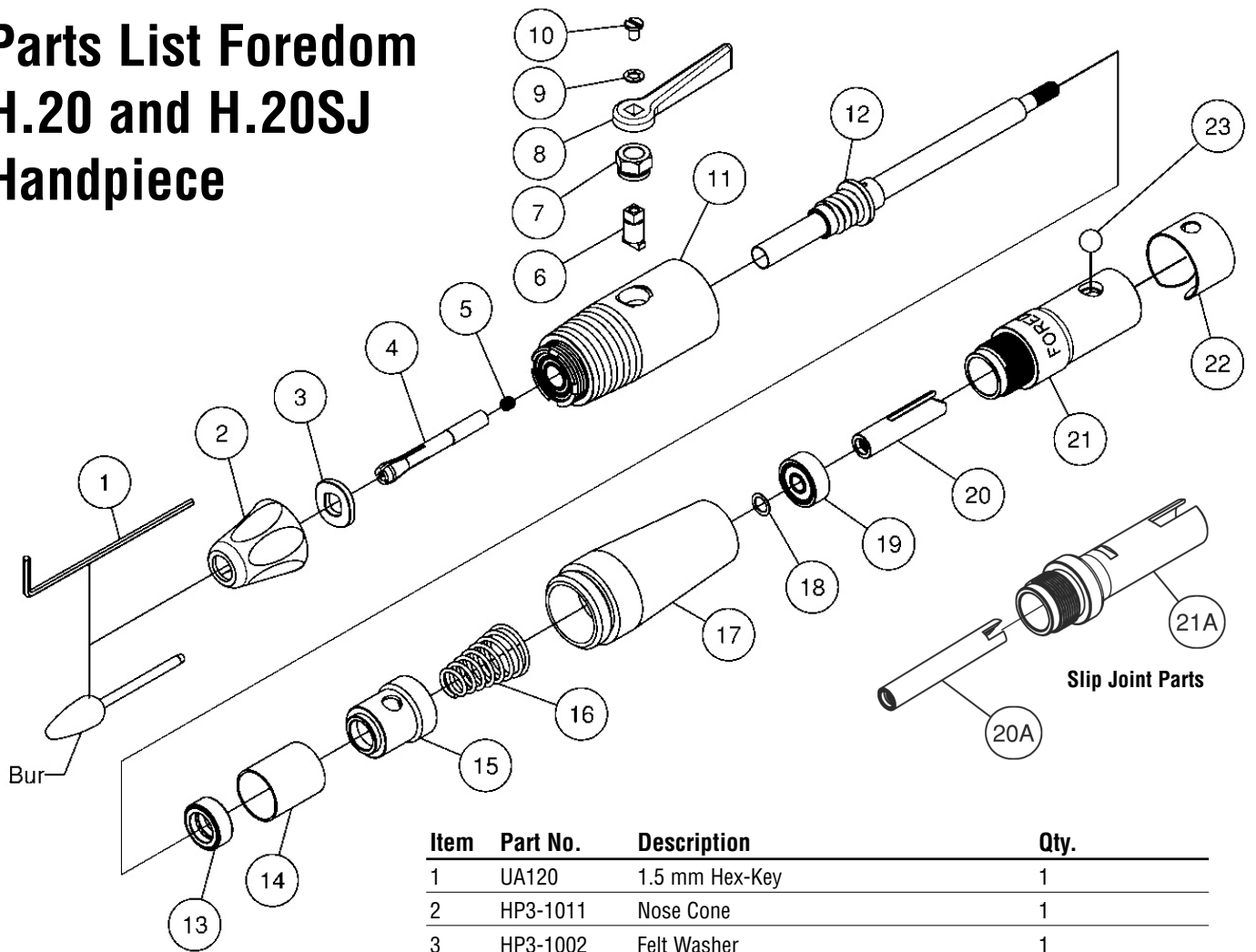


Parts List Freedom H.20 and H.20SJ Handpiece



Item	Part No.	Description	Qty.
1	UA120	1.5 mm Hex-Key	1
2	HP3-1011	Nose Cone	1
3	HP3-1002	Felt Washer	1
4	HP3-1008	Collet	1
5	HP3-1022	Collet Locking Set Screw, M3 x 3mm	1
6	HP3-1003	Actuating Cam	1
7	HP3-1006	Cam Bushing	1
8	HP3-1015	Lever	1
9	HP3-1027	Internal Tooth Washer, Ø2.7mm	1
10	HP3-1026	Screw, M2.5 x 4mm	1
11	HP3-1040	Front Housing and Bearing Assembly	1
12	HP3-1045	Spindle Assembly	1
13	HP3-1020	Center Bearing	1
14	HP3-1010	Bearing Cup	1
15	HP3-1009	Alignment Bushing	1
16	HP3-1005	Spring, Lever Return	1
17	HP3-1018	Rear Housing	1
18	HP3-1025	Spacer, Bearing	1
19	HP3-1024	Rear Bearing	1
20	HP3-1007	Slotted Shaft Connector	1
20A	HP3-1035	Slip Joint Shaft Connector, H.20 Handpiece	
21	HP3-1016	Q.D. Connector	1
21A	HP3-1036	Slip Joint Q.D., H.20 Handpiece	
22	HP43	Catch Spring	1
23	HP48	Catch Ball	1

FOREDOM®
The Freedom Electric Company

16 Stony Hill Road, Bethel, CT 06801, USA

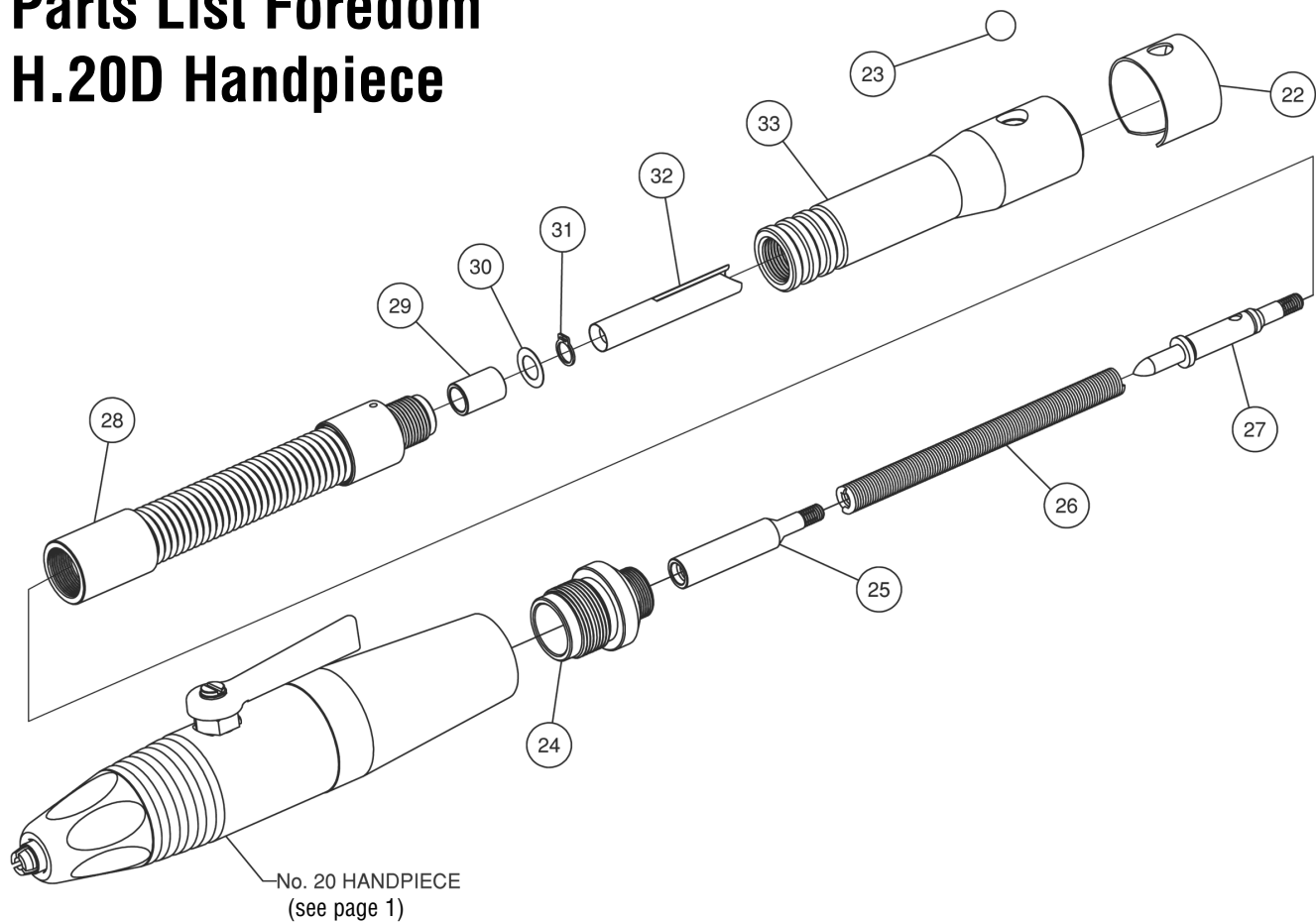
Tel.: 203-792-8622 • Fax: 203-796-7861

www.freedom.net

E-mail:

customerservice@blackstoneind.com

Parts List Freedom H.20D Handpiece



Item	Part No.	Description	Qty.
22	HP43	Catch Spring	1
23	HP48	Catch Ball	1
24	HP3-1032	Duplex Q.D. Adapter, H.20 Handpiece	1
25	HP3-1031	Duplex Spindle Adapter Screw, No. 20 Handpiece	1
26	HP76	Duplex Inner Spring	1
27	HP75	Duplex Axle	1
28	HP74	Duplex Cover Assembly	1
29	HP51S	Sleeve Bearing	1
30	HP47	Washer	1
31	HP10531	External Retaining Ring	1
32	HP46	Slotted Shaft Connector	1
33	HP42	Q.D. Connector	1

FOREDOM[®]
The Freedom Electric Company

16 Stony Hill Road, Bethel, CT 06801, USA

Tel.: 203-792-8622 • Fax: 203-796-7861

www.freedom.net

E-mail:

customerservice@blackstoneind.com