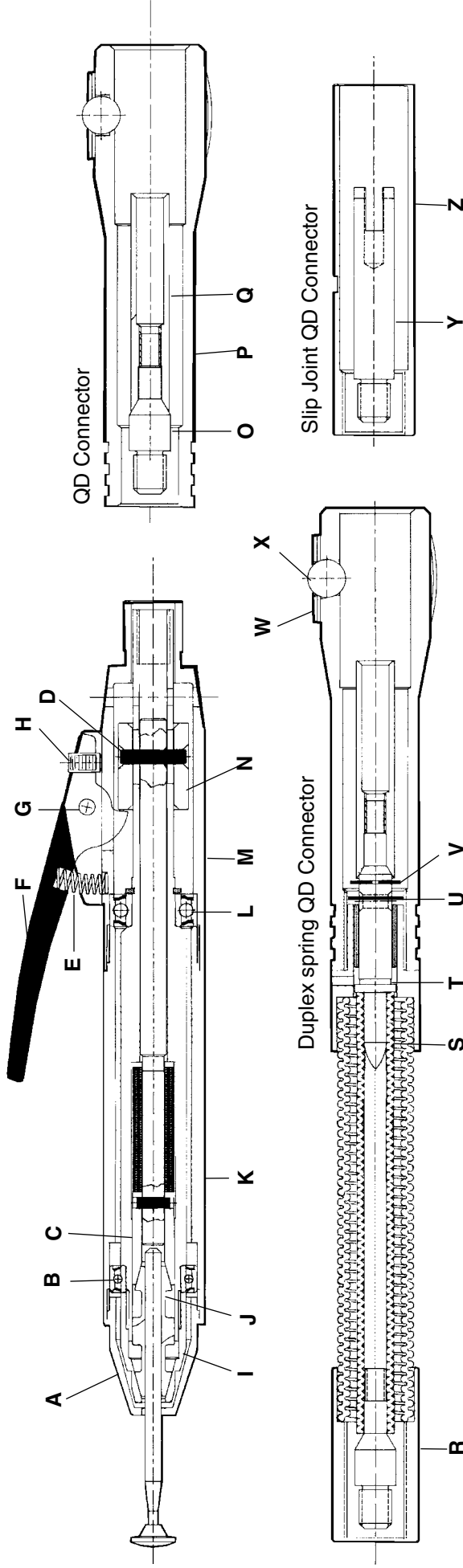


# Parts List Handpieces H.18, H.18D, and H.18SJ



Item	Part No.	Description	Item	Part No.	Description
A	HP10724	Nose Cone	N	HP10714	Pressure Sleeve
B	HP10718	Ball Bearing-Front	O	HP10730	Spindle Adapter Screw
C	HP10704	Draw Bar Assembly	P	HP42	QD Connector
D	HP10715	Slotted Spring Pin (5/64" dia. x 3/8" long)	Q	HP46	Slotted Shaft Connector
E	HP10719	Paddle Spring	R	HP73	Duplex Outer Spring Assembly
F	HP10720A	Paddle	S	HP76	Duplex Inner Spring
G	HP10721	Paddle Cross Pin (3/32" dia. x 7/16" long)	T	HP75	Duplex Axle
H	HP10722	Set Screw	U	HP47	Washer
I	HP10723	Nosepiece	V	HP10531	Retaining Ring
J	HP703	Collet (3/32" or 2.35mm)*	W	HP43	Catch Spring
K	HP10717	Housing	X	HP48	Catch Ball
L	HP10712	Ball Bearing-Rear	Y	HP10727	Slip Joint Shaft Connector
M	HP10716	Paddle Body	Z	HP10728	Slip Joint QD Connector

\* See back for collet replacement instructions

## FOREDOM®

The Foredom Electric Company, 16 Stony Hill Road, Bethel, CT USA 06801 203-792-8622 • Fax: 203-796-7861 • e-mail: customerservice@blackstoneind.com • www.foredom.net  
 Form 1156 n 11/11 Printed in USA

# Instructions for Replacing Collet Handpieces H.18, H.18D, and H.18SJ

## 1. Disassembly of Nose Cone:

Tools required: smooth grip pliers and 1/2" open-end wrench.

- a.) Grasp housing with smooth grip pliers.
- b.) Place 1/2" wrench over flats on nose cone and unthread.

## 2. Disassembly of Nosepiece and Collet:

Tools required: brake pin (.089"/2.3mm or less diameter), and 1/4" open end wrench.

- a.) Insert brake pin through paddle body.
- b.) Place 1/4" wrench over flats on nosepiece and unthread.
- c.) Remove Collet.

## 3. Reassembly:

Tools required: brake pin, #42 pin (3/32", 1/4" or 2.35mm diameter), Foredom Oil, 1/4" and 1/2" wrench.

- a.) Blow out spindle, collet, and nosepiece with compressed air.
- b.) Wipe plunger angle (taper or collet seat) clean.
- c.) Insert brake pin through paddle body.
- d.) Insert #42 pin into collet. Insert collet and pin into spindle.
- e.) Hand thread nosepiece onto spindle. Place 1/4" wrench over flats and tighten firmly.
- f.) Place a small drop of Foredom Oil on nose cone threads. Thread nose cone into housing. Tighten with 1/2" open end wrench.

## 4. Collet Inspection:

Depress lever. Bur must enter and exit collet freely, but not fall out. If collet sticks to taper in nosepiece or plunger, it will appear as though bur is stuck. To unseat, simply push bur in and remove slowly. If bur continues to hang up, remove nose cone and nosepiece, spread collet fingers, reassemble and test.