

MRWA-RTB60 SPECIFICATIONS



Main Roads Traffic Bollards designed for use adjacent to roads where access is prohibited for general traffic but are removable to enable access for wide loads, heavy vehicles or emergency U-Turn facilities. The support vehicle will remove and replace the bollards when necessary

SUSTAINABLE FOUNDATIONS

Secured on Smart Sustainable Foundations that are impact resistant, protecting surrounding foundations from damage and remaining in pristine condition for decades

NO DAMAGE WHEN IMPACTED

When impacted by a vehicle the bollard bends at ground level and the foundations remain in good working condition .
damaged bollard is removed using the removal tool and new one dropped into place in seconds.

FAST EFFICIENT INSTALLATION

Sockets can be installed by simply positioning upright when pouring concrete, (or retro-fitted) and you can install the bollards for an entire development in minutes

SELF-LOCKING

Bollards are secured using a self-locking taper (no pins or padlocks) remaining safe, secure and perfectly aligned year after year

SELF-RECOVERING OPTION

For end of line bollards to reduce call-out bollards can be made to self-recover from impact using the JMB Spring Return Base fitted with a self-locking Taper (secured in same ground socket)

Bollards must be 2.9 wall thickness considered frangible for speeds of 80 km/hr+

APPROVED NATIONALLY / DEPT OH&S WORKSAFE AWARD

“

Our selection is not based on price alone. We also took into consideration the safety & saving aspects. The Smart Sustainable Foundations allow quick replacement of roadside items with no further effort required to the base, (providing a significant cost benefit by re-using the existing footing) and reduces risk of injury to employees.”

MAIN ROADS WA

UNIT INCLUDES

- Bollard 900 mm High
- 2.9 Wall Thickness CHS
- Powder Coated safety Yellow
- 350 mm Ground Socket
- Self-locking Taper
- Cap (for when bollard is removed)
- Reflective Striping MRWA

Made to MRWA Specs – Quality Australian made, with primer and quality powder coating. Lifespan 20 years
Tools Required

INSTALLING GROUND SOCKET

Sustainable Foundations can be installed by simply positioning upright (using installation tool) when pouring footings (creating a perfect finish) or retro-fitted by core drilling or removing pavers. Refer to Installation Instructions for details

INSTALLING BOLLARDS

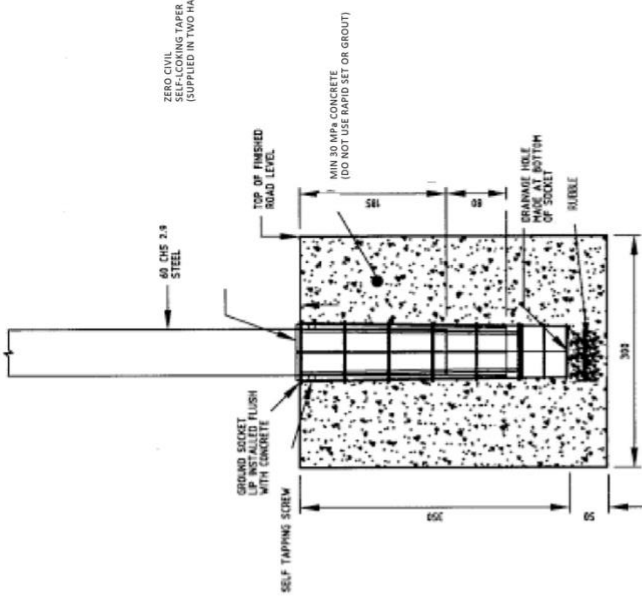
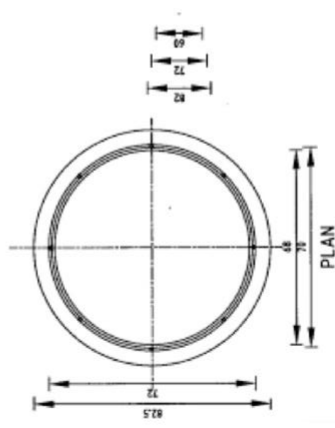
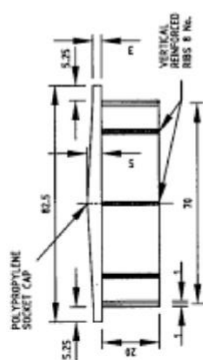
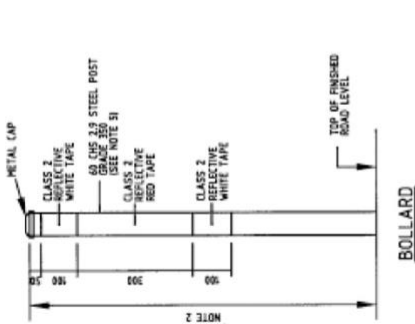
Bollards come ready to install- they are simply dropped into the ground socket automatically locking in and can only be removed using the removal tool provided

TOOLS

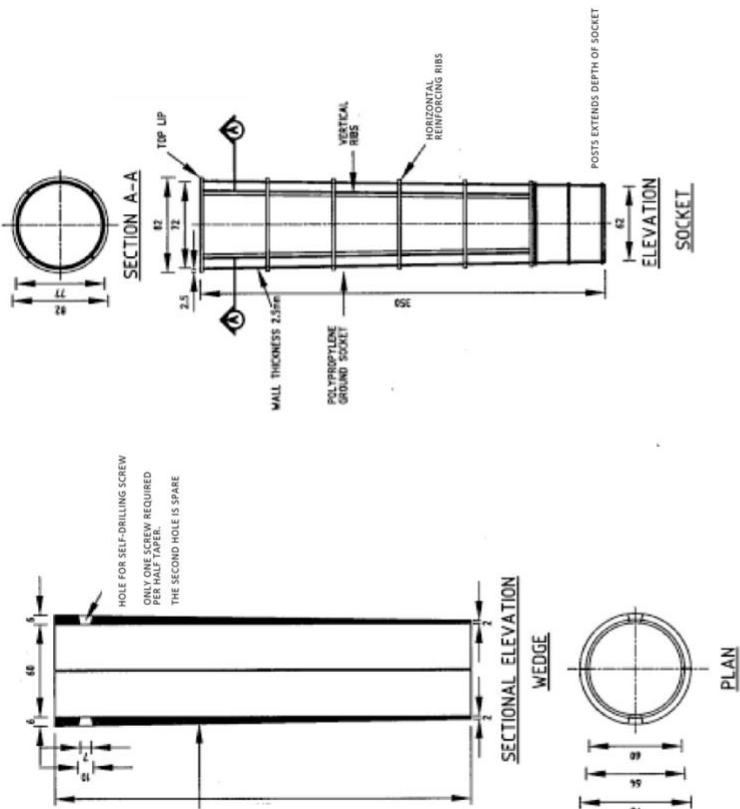
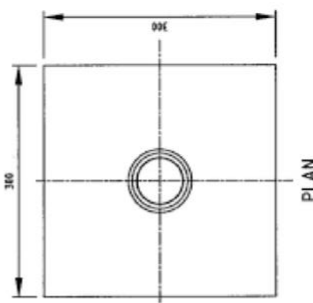
Installation Tool and Ergonomically designed Removal tool required (MRWA maintenance teams have removal tools). Good idea to get several Installation tools for large projects – or we can quote on installation



CODE	DETAILS	WEIGHT
MRWA-REMBOL+SF	2.9 CHS Bollard with Taper + Socket	17 kg
MRWA-REMBOL	2.9 CHS Bollard with Taper	16kg
PACK OF TOOLS	Installation & Removal Tool	12 kg
TOOL-INSTALL	Installation Tool	2kg



SECTIONAL ELEVATION FOOTING



NOTES
THESE FOOTINGS ARE PERMANENT SO PLEASE TAKE CARE

1. INSTALLATION TOOL AVAILABLE
2. SPACING OF BOLLARDS SHOULD BE IN ACCORDANCE WITH DRAWINGS
3. SOCKET SHOULD BE CAPPED WHEN POURING CONCRETE OR ASPHALT AND WHEN BOLLARD IS REMOVED
4. MUST USE A MIN OF 30 MPa CONCRETE TO ENSURE IT IS IMPACT RESISTANT DO NOT SUBSTITUTE FOR FLEXIBLE GROUT OR RAPID SET CONCRETE
5. BOLLARD SHOULD FINISH 900 MM ABOVE GROUND LEVEL
6. DO NOT SUBSTITUTE GROUND SOCKET FOR METAL SOCKET
7. FOR FURTHER INFORMATION CALL ZERO CIVIL +618 924 5545
8. REFER MRWA SPECIFICATION DRAWING 200831-0014
9. TAKE CARE TO COLOUR MATCH SURROUNDING FOOTINGS
10. TOOL REQUIRED TO REMOVE BOLLARDS- MRWA MAINTENANCE TEAMS HAVE TOOLS

For use adjacent to high speed roads where access is required for emergency vehicles or oversized vehicles but you want to prevent access to the general public. The bollards prevent members of the general public from performing an illegal U-turns but allow oversized vehicles access to avoid low bridges and the like. The support vehicles for the oversized load will remove and replace the bollards when necessary. Only Zero Civil 60mm diameter with a 2.9mm wall thickness bollards can be used as they are considered frangible for speeds of 80km/h and greater.

