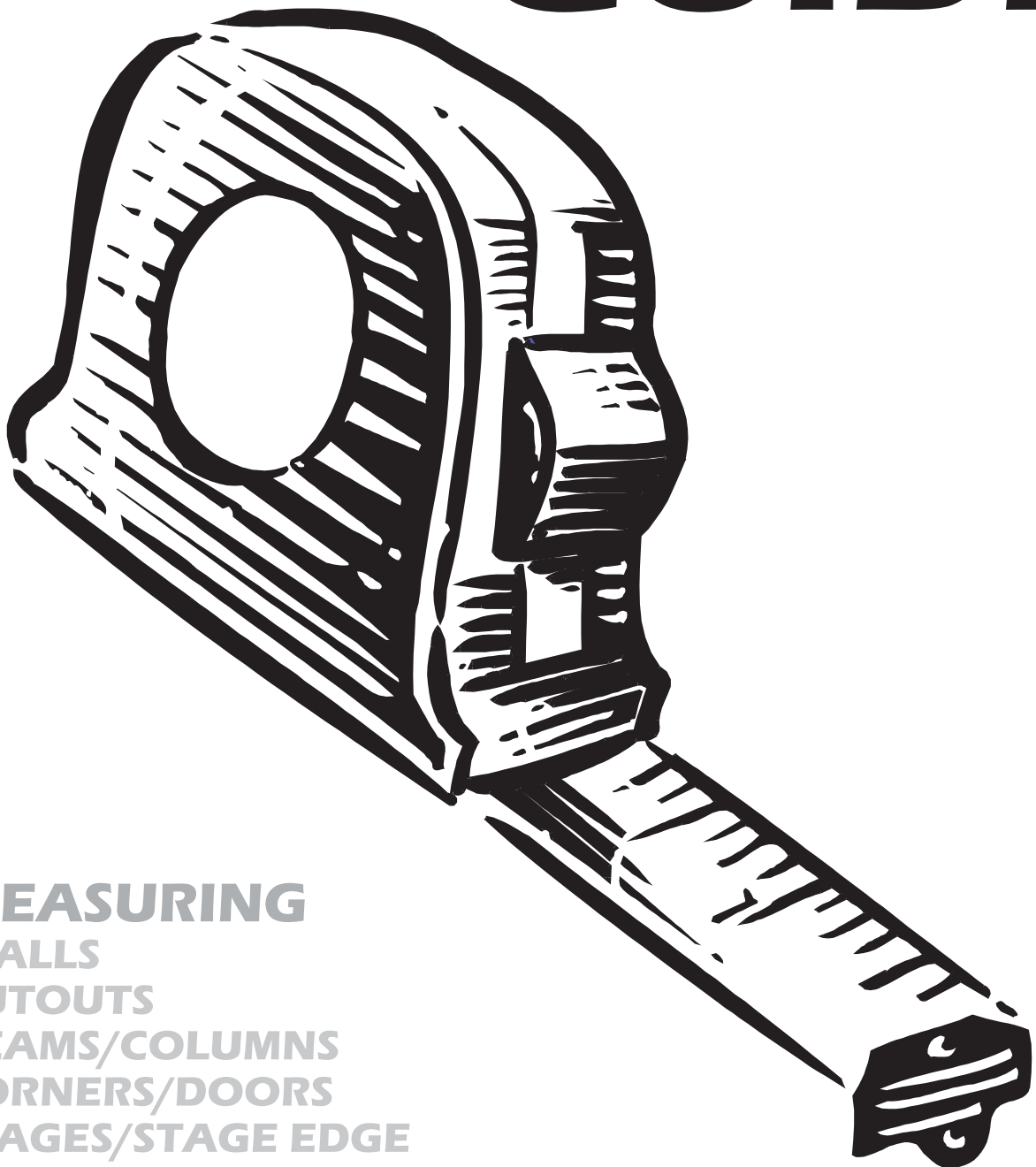




# MEASURING GUIDE



**MEASURING**  
WALLS  
CUTOUTS  
BEAMS/COLUMNS  
CORNERS/DOORS  
STAGES/STAGE EDGE

# MEASURING GUIDE

These pages contain directions to measure correctly.

## Two things to remember when measuring:

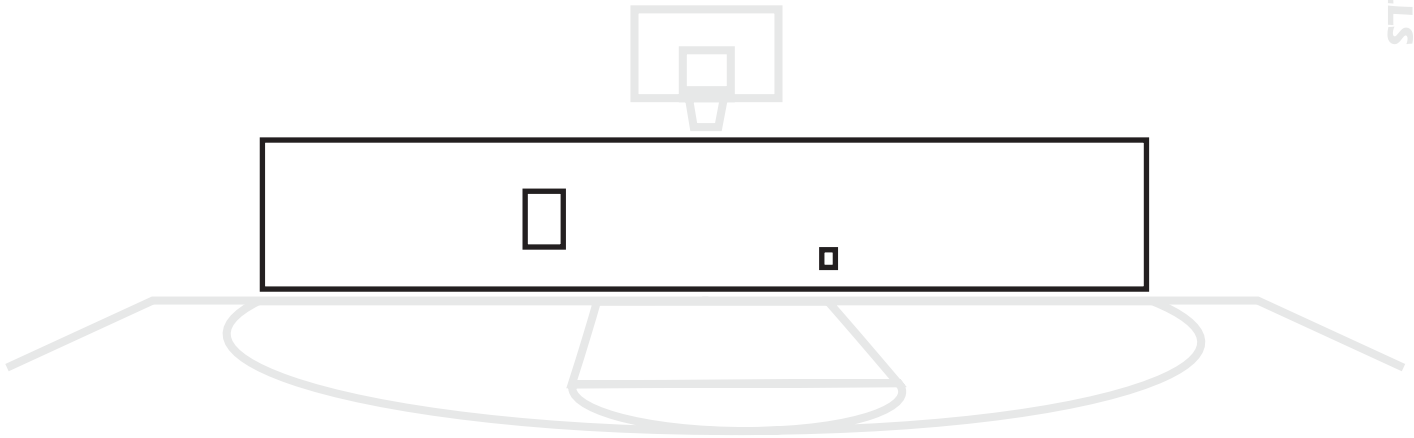
- 1 Measure everything exact.  
**Fuji Mats** will make all allowances.
- 2 If anything special is encountered:
  - Draw it out.
  - Measure everything.
  - Take a picture and email it to **Fuji Mats**.

**Fuji Mats** will do the best to accommodate the situation.

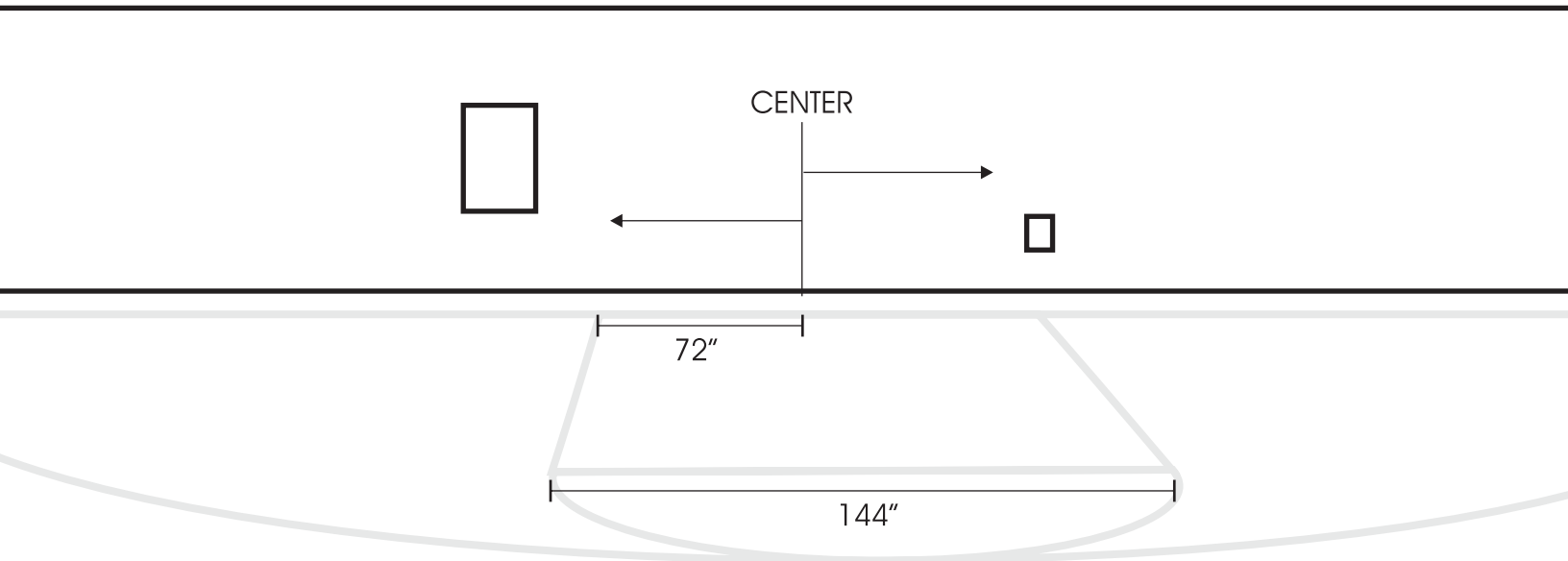


## MEASURING WALLS

- 1 Step back and make a rough sketch of the wall.  
Be sure to include anything that would require a cutout.  
(I.e. Electrical outlets, fire alarms, microphone jacks, vents, etc.)

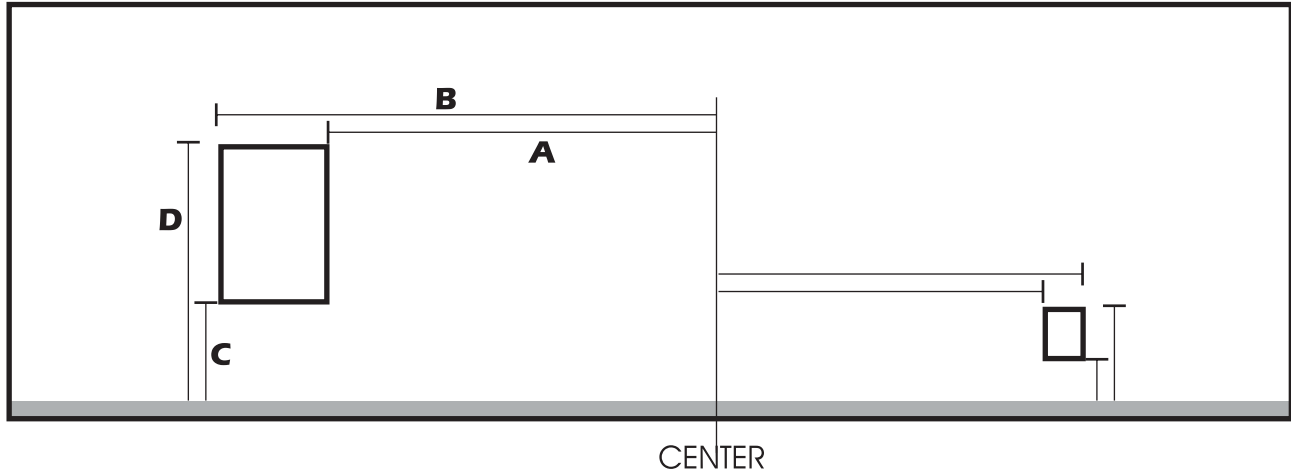


- 2 Start by finding the center of the lane.  
This can be done by measuring 72" from the edge of the lane to the middle.  
**Measure out from this point.**



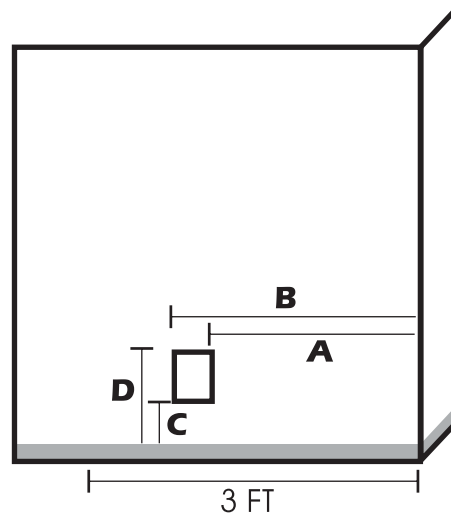
# MEASURING CUTOUTS

**REMEMBER: Exact measurements.**



**1** Put your tape on the center line and measure to the closest point **A**.  
Then measure out to the farthest point **B**.

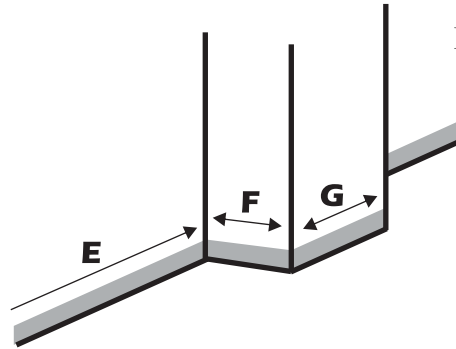
**2** Measure from the top of the mopboard (or wherever the bottom of the padding will start) to the closest point **C**. Then measure to the farthest point **D**.



**3** If your cutout is within 3 feet of a corner that will be padded.  
Take a **second** set of measurements from the corner.  
( we also need the center line measurements for this also)



# MEASURING BEAMS/COLUMNS



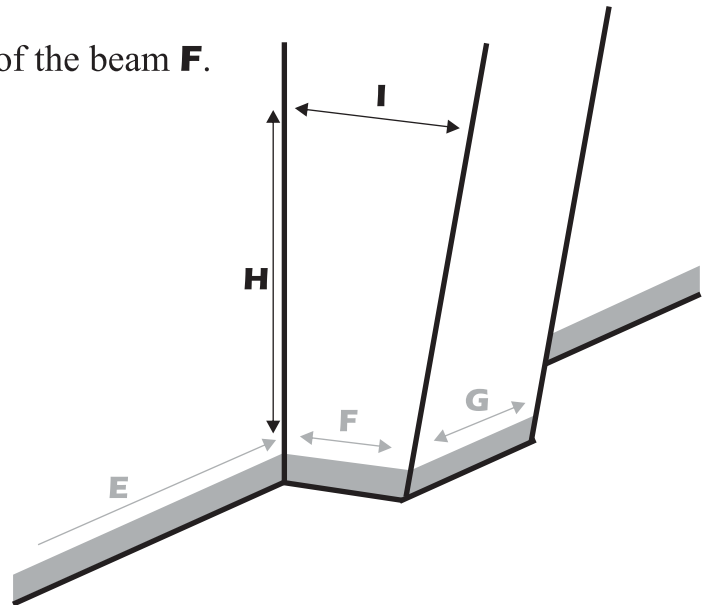
**REMEMBER: Exact measurements.**

1 Specify what beam/column is made of (concrete block or steel).

2 Measure from center line down the wall to point **E**.

3 Measure from the wall to the front of the beam **F**.  
**On both sides.**

4 Measure the width of the beam **G**.

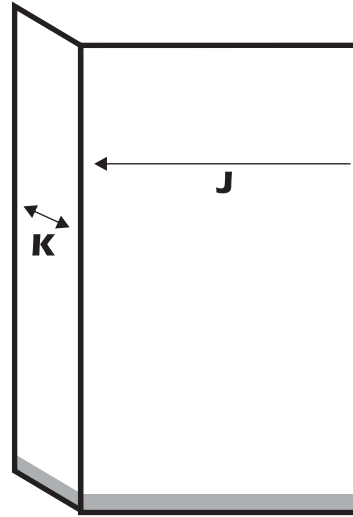


5 Measure from the top of the mopboard to the same height as the pads on the wall **H**.

6 Measure from that point to the front of the beam **I**.

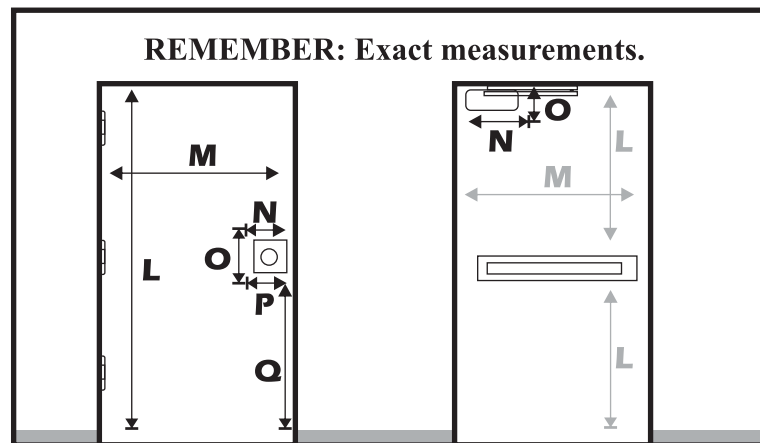
# MEASURING CORNERS/DOORS

**REMEMBER:** Exact measurements.



**1** Measure from center line to the corner **J**.

**2** Measure distance pad will extend back **K**.



**REMEMBER:** Exact measurements.

**1** Measure height starting at top of mopboard **L**.

**2** Measure width from hinge to edge of door **M**.

**3** Measure handles and other cutouts **NOPOQ**.  
(Be sure to allow for the handle's swing)

**NOTE:** Which direction the doors swings.

