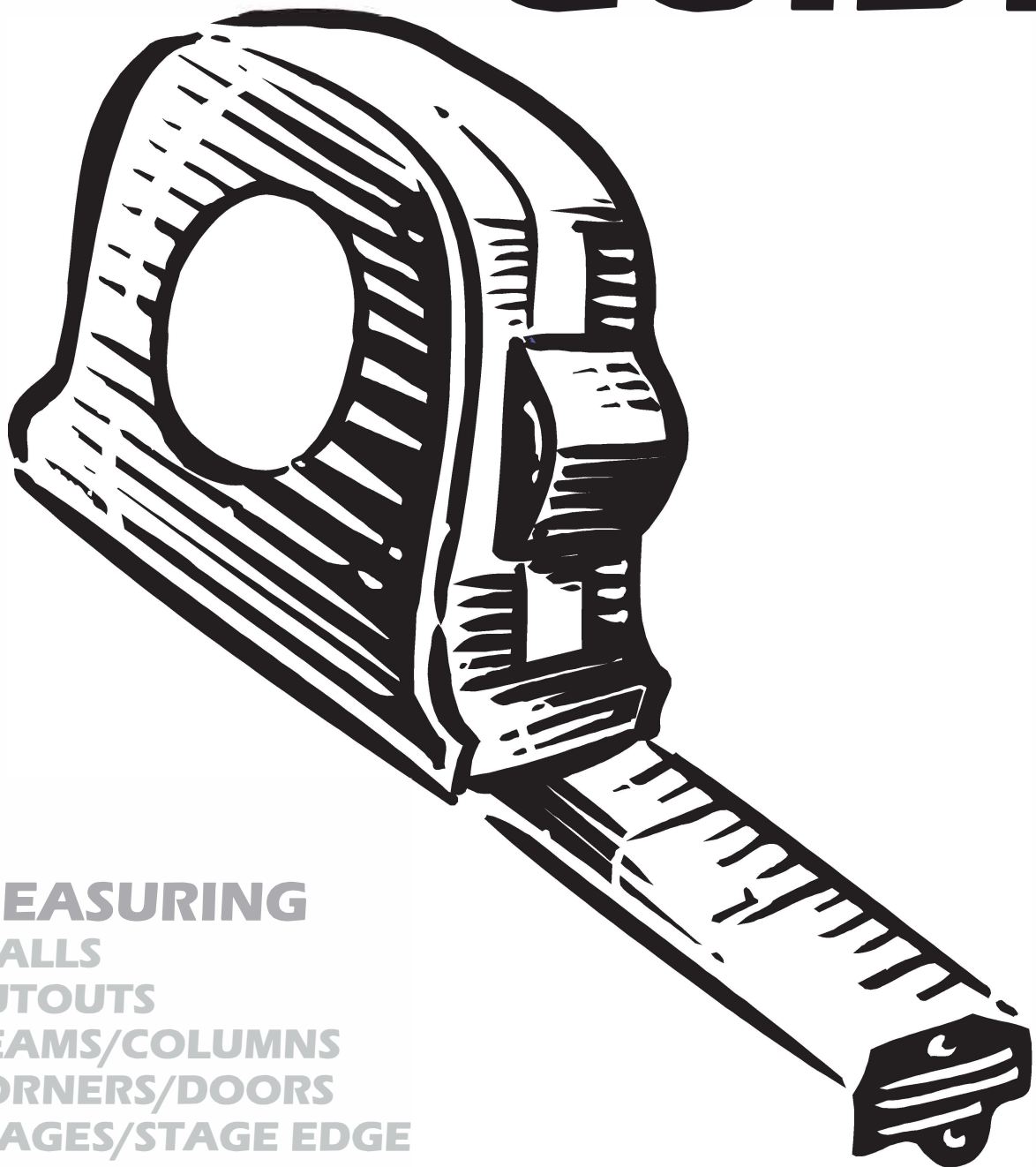




# MEASURING GUIDE



**MEASURING**  
**WALLS**  
**CUTOUTS**  
**BEAMS/COLUMNS**  
**CORNERS/DOORS**  
**STAGES/STAGE EDGE**

# MEASURING GUIDE

These pages contain directions to measure correctly.

## Two things to remember when measuring:

**1** Measure everything exact.

**Fuji Mats** will make all allowances.

**2** If anything special is encountered:

- Draw it out.
- Measure everything.
- Take a picture and email it to **Fuji Mats**.

**Fuji Mats** will do the best to accommodate the situation.

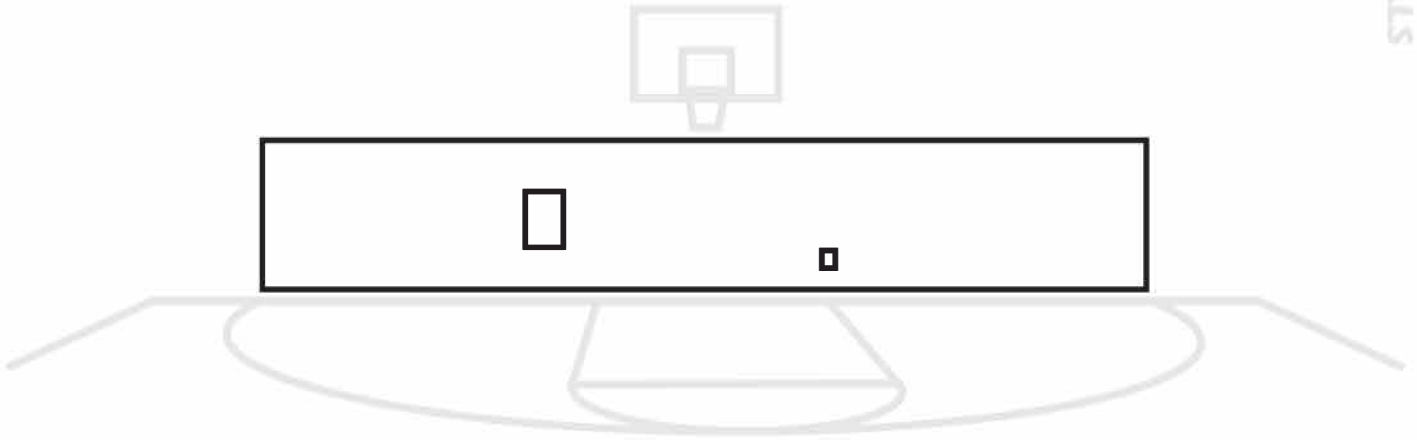


## MEASURING WALLS

1

Step back and make a rough sketch of the wall.

Be sure to include anything that would require a cutout.  
(I.e. Electrical outlets, fire alarms, microphone jacks, vents, etc.)

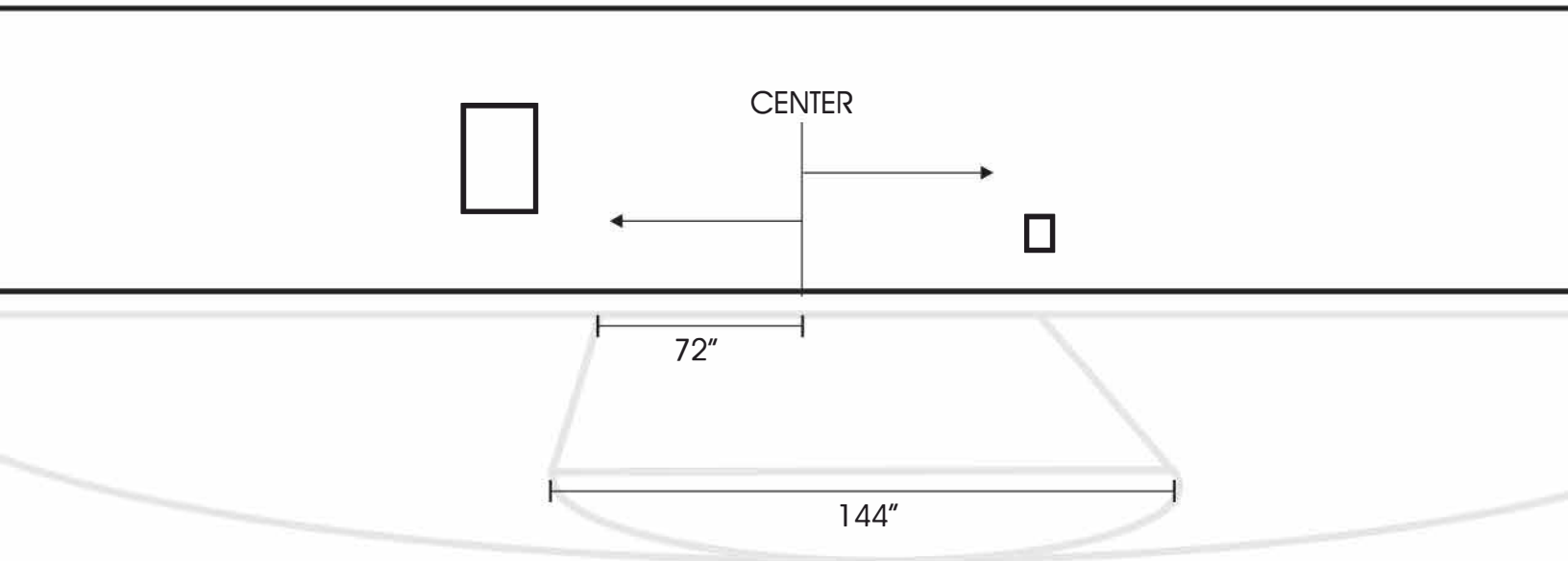


2

Start by finding the center of the lane.

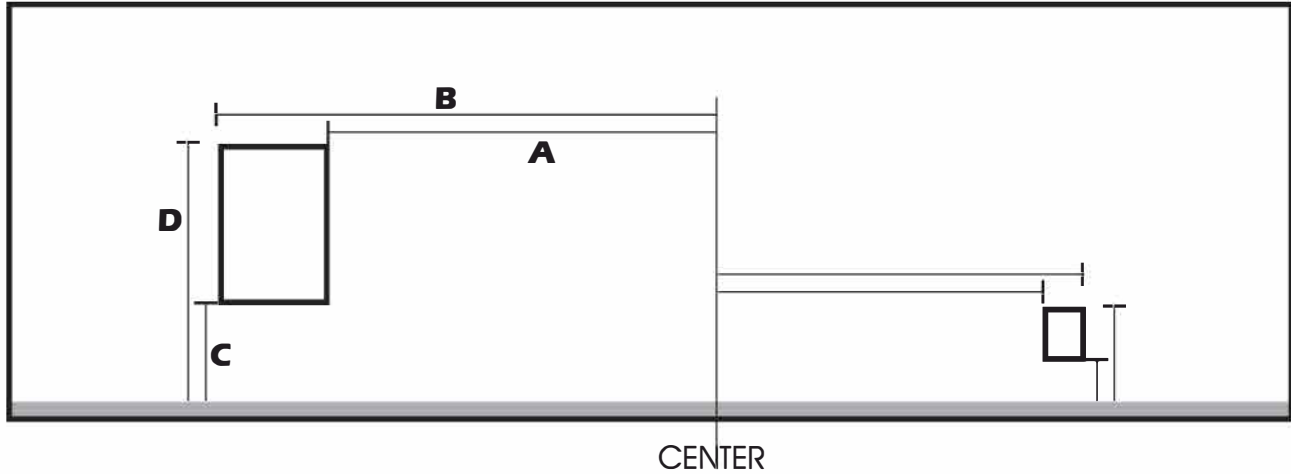
This can be done by measuring 72" from the edge of the lane to the middle.

**Measure out from this point.**



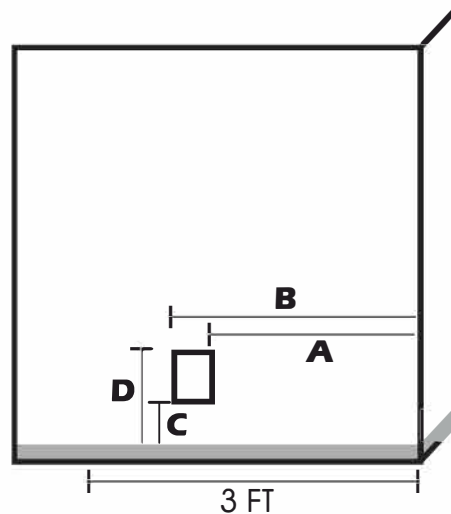
# MEASURING CUTOUTS

**REMEMBER: Exact measurements.**



**1** Put your tape on the center line and measure to the closest point **A**.  
Then measure out to the farthest point **B**.

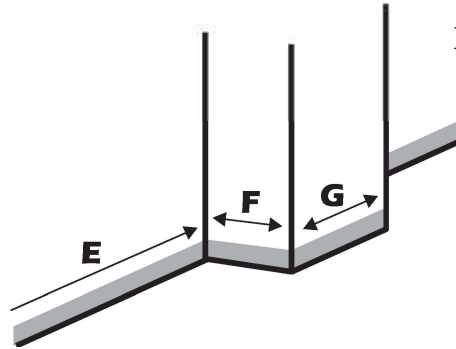
**2** Measure from the top of the mopboard (or wherever the bottom of the padding will start) to the closest point **C**. Then measure to the farthest point **D**.



**3** If your cutout is within 3 feet of a corner that will be padded.  
Take a **second** set of measurements from the corner.  
( we also need the center line measurements for this also)



# MEASURING BEAMS/COLUMNS



**REMEMBER: Exact measurements please.**

- 1
- 2
- 3
- 4
- 5
- 6

Specify what beam/column is made of (concrete block or steel).

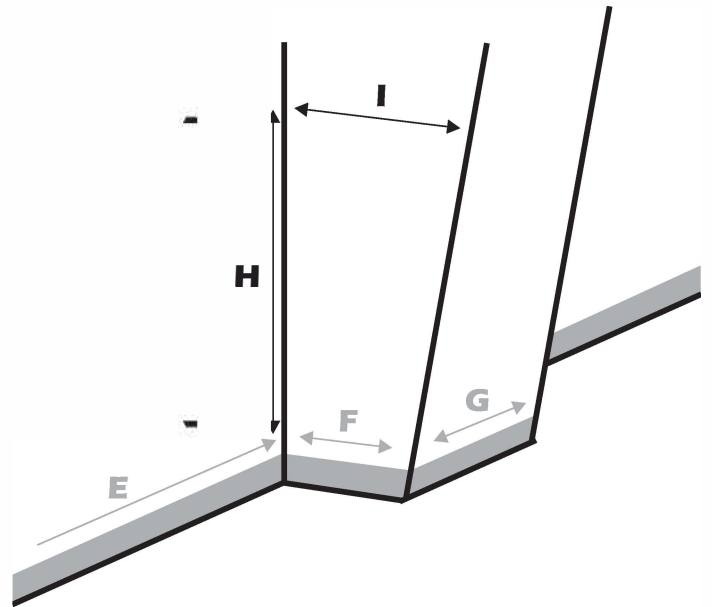
Measure from corner of the room to point **E**.

Measure from the wall to outside of beam (at floor level): **F**

And at 72in from the floor: **I**  
*(check both sides, note both if different)*

Measure the width of the beam **G**.

*At the floor + at 72in height, ensure they are the same or note otherwise*



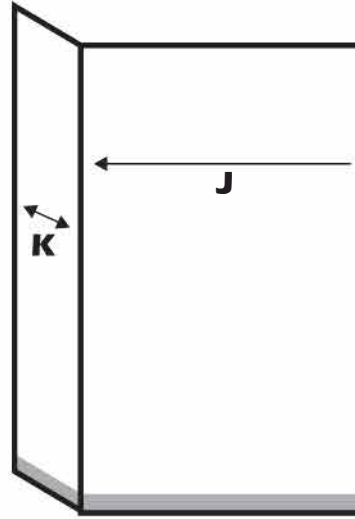
Measure from the floor to the same height as the pads on the wall **H**. (72in / 6ft typically)

Draw a simple picture or notate here and send to back to FUJI Mats



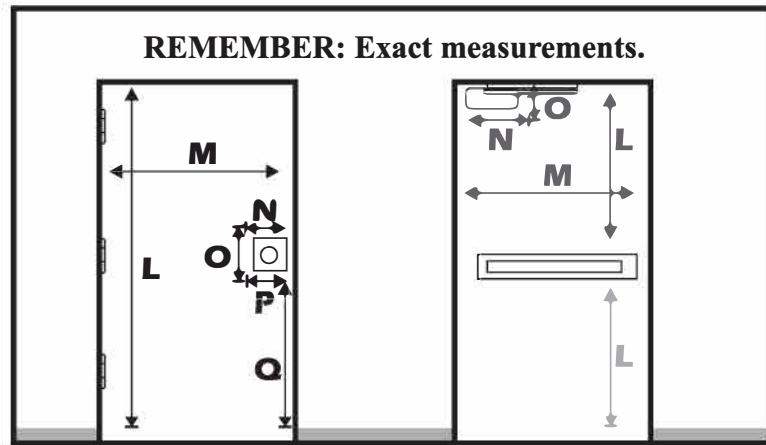
# MEASURING CORNERS/DOORS

**REMEMBER: Exact measurements.**



**1** Measure from center line to the corner **J**.

**2** Measure distance pad will extend back **K**.



**REMEMBER: Exact measurements.**

**1** Measure height starting at top of mopboard **L**.

**2** Measure width from hinge to edge of door **M**.

**3** Measure handles and other cutouts **NO PQ**.  
(Be sure to allow for the handle's swing)

**NOTE: Which direction the doors swings.**

