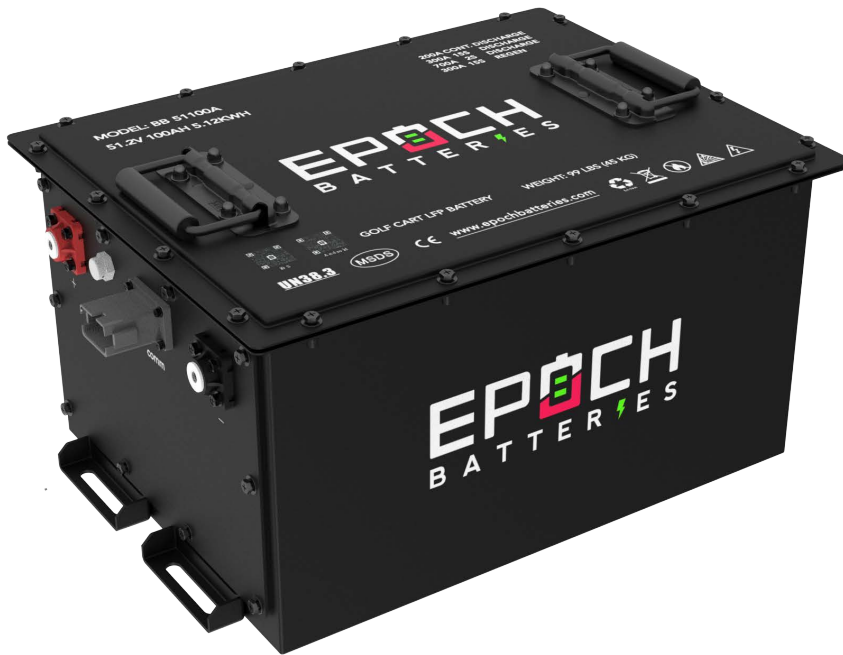


# LiFePO4 Battery Specification

## Model: BB 51100A



Author	Kevin	Customer	
Checked	POP	Customer Model	
Approved	Chris		

Issued Date	2024-1-5	
Version	V 00	
Document number		

**EPOCH BATTERIES**

**Address: 164 Andrew Drive, Stockbridge, GA 30281.**

**Web: [www.epochbatteries.com](http://www.epochbatteries.com)**

**Modify Record**

Revision	Date	Content	Author
V00	2024-1-5	First release	Kevin

The information included in this document is accurate at the time of publication. However, this product may change, upgrades or do other operations which will result in changes in some content, we may not have prior notice.

## 1. General Information

This specification defines the performance of rechargeable LiFePO4 battery pack **BB 51100A** manufactured by EPOCH BATTERIES, it describes the type, performance, technical characteristics, warning and caution of the battery pack.

## 2. Battery Pack Specification (@ 25±2°C)

No.	Items	Parameters	
2.1	Nominal voltage	51.2V	
2.2	Nominal energy@0.2C	5.12 kWh	
2.3	Nominal capacity@0.2C	100Ah	
2.4	Cell Combination	1P16S	
2.5	Bulk/Absorb Voltage	57.0	
2.6	Float voltage range	54.0 or OFF	
2.7	Allowed MAX charge current	100A (300A@15s)	
2.8	Recommend charge current	50A	
2.9	Allowed MAX discharge current	200A (300A@15s, 700A@2s)	
2.10	Recommended discharge current	150A	
2.12	Short circuit protection	1100A@500µs	
2.13	End of discharge	Inverter/Load cut off	41.6V
		BLVD	40.0V
		Re-connect voltage	48.0V
2.14	Communication	Bluetooth	
		CAN  RS485	
2.15	Parallel and Series connection	Support Max. 2 in parallel	
2.15	Terminal and torque	M8 bolt   8-12N.m	
2.16	IP rating	IP67	
2.17	Dimension	W 460±2 mm , 18.1 inch	
		H 250±2 mm , 9.8 inch	
		D 340±2 mm , 13.4 inch	
2.18	Weight (without accessories)	~45kg , 99lbs	
2.17	Operation temperature	Charge	0~55°C

		Discharge	-20~60°C
2.19	Operation altitude		<3000m
2.18	Self-discharge rate <sup>2</sup>		≤3%/month
2.19	Storage environment <sup>3</sup>	≤6 months	0°C<T<35°C
		≤1 months	-20°C<T<55°C
		Recommend environment	15~35°C   5~75%RH
2.20	Cycle life		>3500 cycles @80%DOD
Note	<p><sup>2</sup>These conditions is based on battery pack is in sleep or power off mode.</p> <p><sup>3</sup>For long time storage, we recommend charge the battery over 50% SOC and if the battery does not have a sleep or power off mode, please consult EPOCH first.</p>		

### 3. Electrical Specification

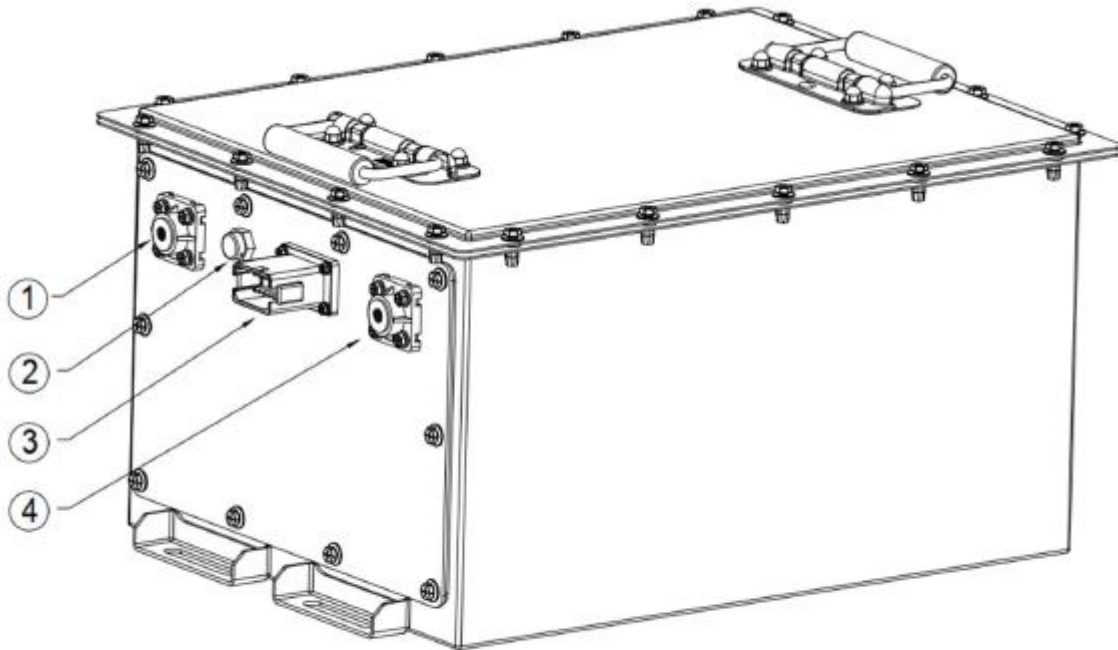
Test conditions: Ambient Temperature: 25±2°C, Humidity:10%~75%.

Normal charge: Charge battery under CC(0.2C)/CV(58.4V)mode until over charge protection or the charge current reduce to 0.02C, and then rest for 1h.

No.	Items	Criterion		Test Condition
3.1	Rated Capacity	105Ah		After Normal charge, discharge @0.2C current to the end of discharge voltage.
	Min. capacity	100Ah		
3.2	Internal Impedance	≤20mΩ		@50% SOC @1kHz AC internal resistance test instrument.
3.3	Short circuit protection	Auto cutoff load when short circuit		Connect the positive and negative of this battery pack through a lead with 0.1Ω resistance.
3.4	Cycle life	≥3500 cycles		After Normal charge, discharge @0.2C current with 80%DOD, Repeat above process until discharge capacity reduce to 80% of initial value.
3.5	Discharge temperature characteristic@	-20°C (6h)	≥60%	Capacity @specified temperature the percentage accord with criteria
		0°C (6h)	≥80%	

	0.2C	25°C(4h)	≥100%	Capacity @ 25°C
		55°C(4h)	≥95%	
3.6	Capacity retention rate	Remain capacity ≥96%		After normal charge, store the battery @25±2°C for 28days, then discharge capacity @0.2C to the end of discharge voltage, the retention capacity accord with criterion.

## 4. Battery quick guide



① Positive Terminal    ② Vent    ③ Communication Port    ④ Negative Terminal



Charger



Receptacle



Plug



Wiring Harness

### 4.2 Transport & Storage

- Do not violently shake, impact or squeeze, and prevent sun and rain during the transportation.
- Do light take and put and strictly prevent falling, rolling, and heavy pressure during loading and

unloading.

- The battery should be placed in a dry, clean, dark, and well-ventilated indoor environment for long-term storage, and the recommended storage temperature range is 15~35°C.
- No harmful gases, flammable and explosive products and corrosive chemical substances in the storage location.
- The batteries should be stored and transported in close to 50% SOC.
- If do not use for a long time, the battery needs to be charged every 6 months according to the specs.
- No fall down, no pile up over 6 layers, and keep face up.

#### 4.3 Warning & Tips.

Please read battery specification or manual carefully before use. Improper use may cause heat, fire, rupture, damage or capacity deterioration of the battery. EPOCH BATTERIES will not be responsible for any accidents caused by the usage without following our handling instructions.

#### Warning

- Battery must be far away from heat source, high voltage, and direct exposed to sunshine.
- Never throw the battery into water or fire.
- Never reverse two terminals when using the battery.
- Never connect the positive and negative of battery with conductor.
- Never knock, throw or trample the battery.
- Never disassemble the battery without manufacturer's permission and guidance.
- Never mixed battery with different capacity and brand;

### Tips

- It is suggested to fully charged the battery per month to correct the battery SOC.
- Please charge your battery timely ( $\leq 2$ day) when battery runs out of power.
- Please use the dedicated lithium battery charger to charge the battery.
- Stop using when battery emit peculiar smell, heating, distortion or appear any abnormality
- Please keep the battery far away from children or pets.
- If the battery pack leaks electrolyte, avoid contacting with the liquid or gas leakage if the electrolyte of battery pack leaks, please take these steps immediately:

**Gas Inhalation:** Evacuate the people in the contaminated area and seek medical aid as soon as possible.

**Eye Contact:** Flush your eye with clean and flowing water for 15 min, and seek medical aid as soon as possible.

**Skin Contact:** Thoroughly rinse the exposed area with soap and water to be sure no chemical or soap is left on them, and seek medical aid as soon as possible.

**Swallowing:** Try to induce vomiting, seeks medical aid as soon as possible immediately.

**Fire:** Please use carbon dioxide fire extinguisher rather than liquid to put out fires.