

14742**Plastic Model Kit****Skill Level 2****1/144 Scale****MINICRAFT
MODEL KITS****LOCKHEED MARTIN**LOCKHEED MARTIN, C-130H, associated emblems and logos, and body designs of vehicles are either registered trademarks or trademarks of Lockheed Martin Corporation in the USA and/or other jurisdictions, used under license by Minicraft Models (USA) LLC.

AC-130A Gunship™ “Azrael Angel of Death”

- Clear Display Stand
- Includes Weapons
- Opening Rear Door
- Pose-able Flaps



First deployed in the late 1960's the United States Air Force recognized the heavy weight carrying capacity and long duration flight of the C-130. These attributes made the C-130 an ideal aircraft to be adapted to serve as an airborne gun platform for accurate high volume fire directed at enemy locations. The C-130A named “Azrael” first operated in Viet Nam and proved the effectiveness of the C-130 gunship concept.

This kit represents the C-130A deployed in Vietnam and includes both 105 MM gun and 7.65 “miniguns” used so effectively to blanket enemy positions in South-east Asia in the late 1960's and early 1970's. Kit includes several armament options including proto-type armament, operational armament and markings for both the proto-type aircraft and Azrael, Angel of Death”.

Painting and finishing Minicraft model kits

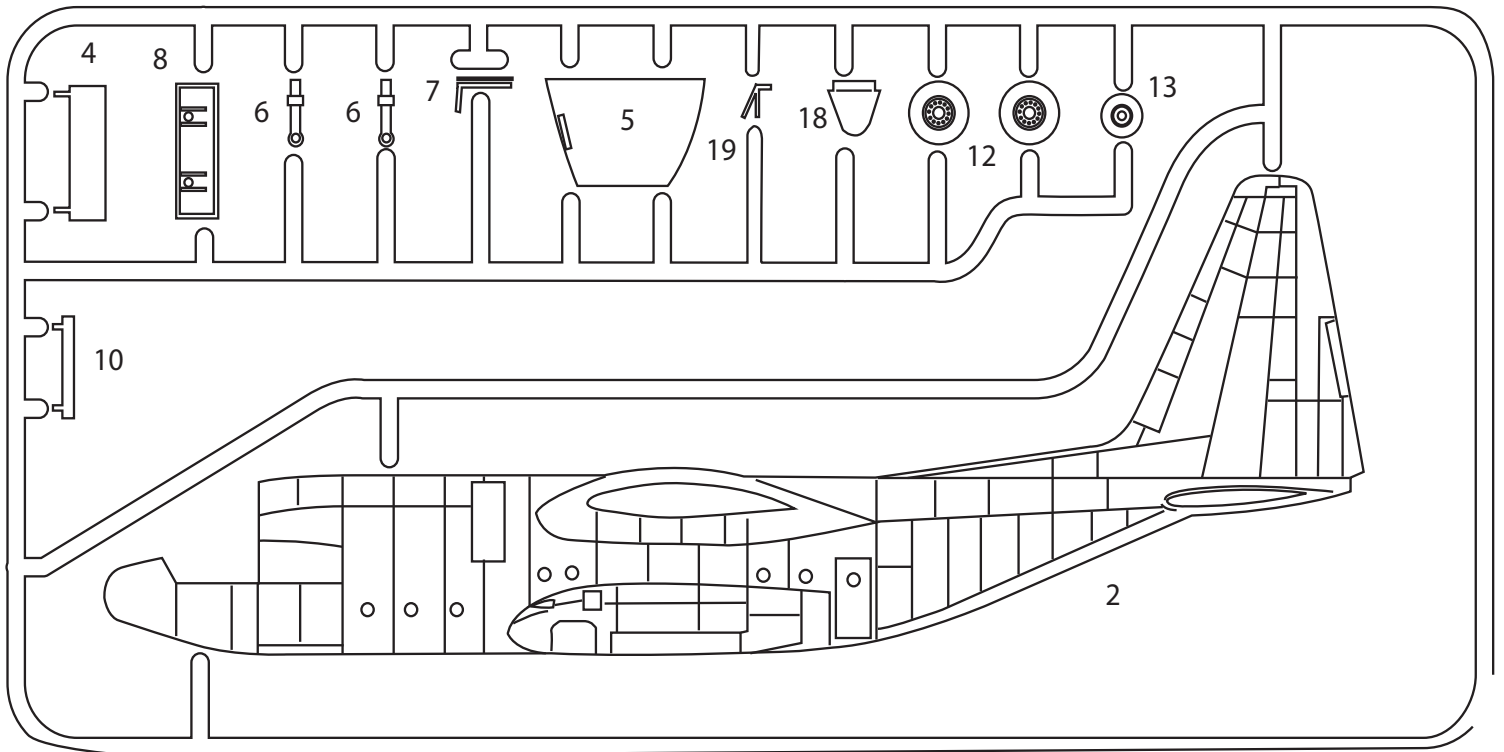
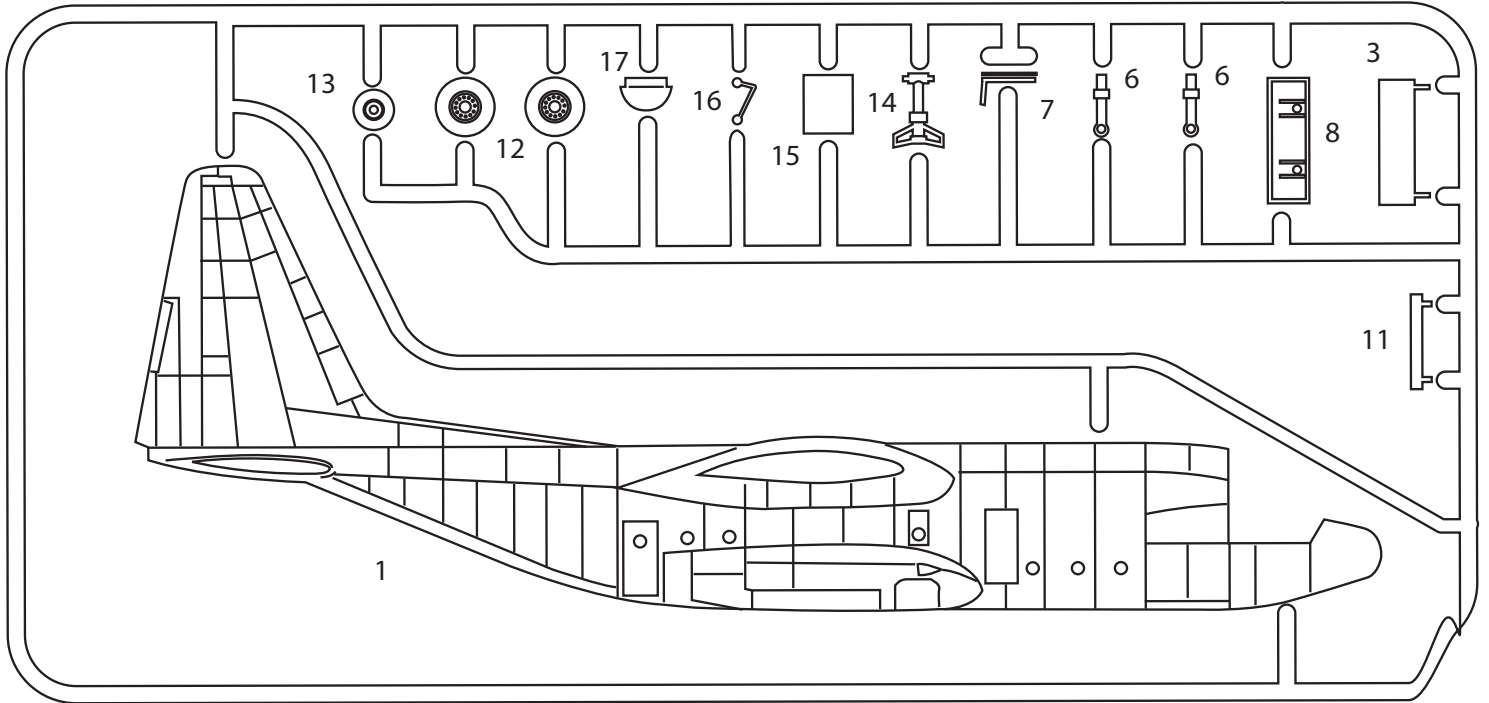
Techniques for painting and finishing your model vary depending on the preferences of each model builder. Commonly most painting is recommended before assembly. Small details are best painted before assembly. Details like car and airplane interiors **MUST** be painted before assembly. Modelers may choose to paint the model kit using model paint with a paintbrush, an aerosol spray can or an airbrush. Large areas of the model like a model car a body or model airplane wings and fuselage are best painted before assembly or as a partially assembled sub-assembly. Use of an aerosol can or airbrush is recommended. Models can be painted after assembly but clear parts and some details will need to be masked to keep clear parts clear and preserve pre-painted details.

Decal Application:

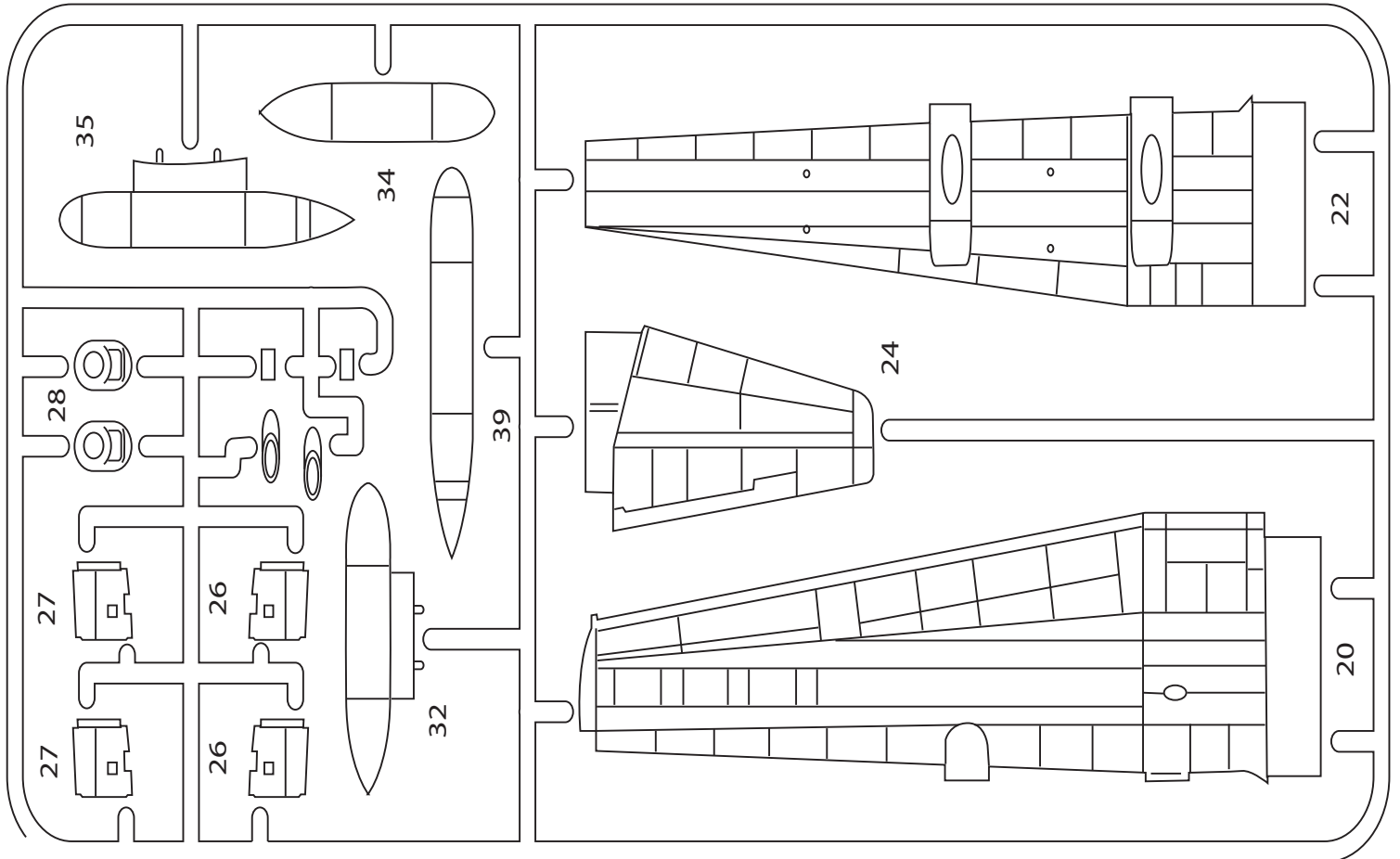
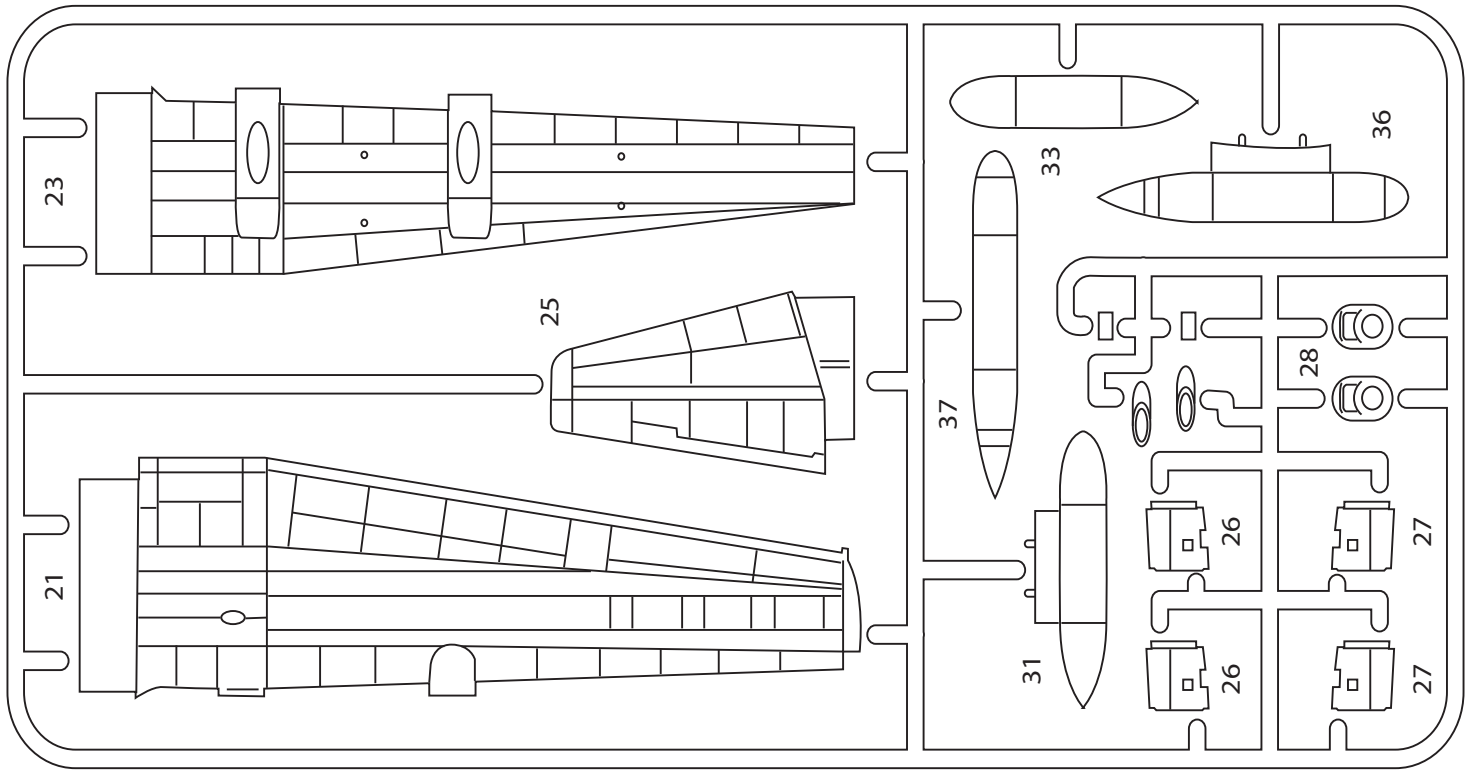
Your Minicraft model includes high-quality waterslide decals. These decals adhere best to a glossy surface. Use a sharp scissors or knife to cut individual decals from the carrier sheet. Do not cut into the clear film surrounding the individual decals. It is recommended that you apply one decal at a time. Place the decal section in warm water, when first inserted in the water your decal will curl, after approximately ten seconds the decal will uncurl. Remove from water and lay on a paper towel. After approximately 10 - 20 seconds the decal will slide freely from the backing paper. Use a small brush to help slide the decal from the backing paper and into position on the model. Carefully blot excess water from the decal, using care not to move the decal or tear it. If you choose to use a setting solution, apply a thin coat over the decal following the manufacturer's instruction. Allow the decal to dry overnight. Wash any adhesive residue off the model with a small wet towel.

***Minicraft Models (US) LLC 2136 12th St. Rockford, IL. 61104 Printed in China
www.minicraftmodels.com***

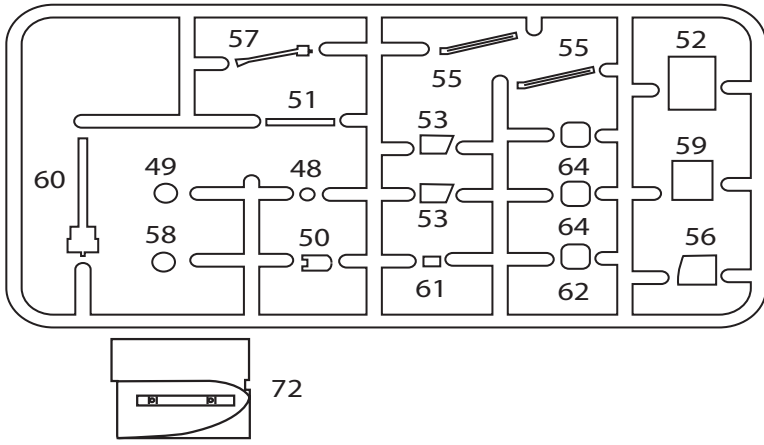
'A FUSELAGE PARTS SPRUES



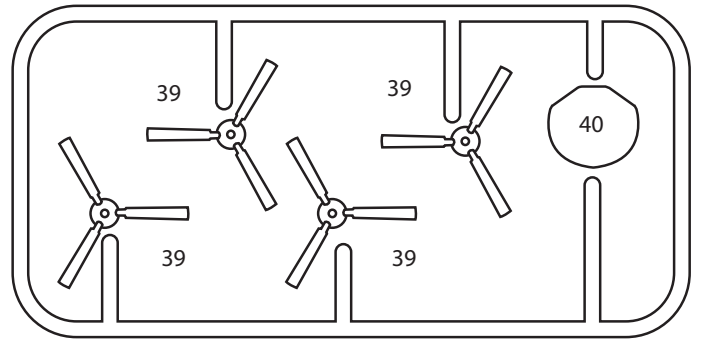
'B' WING / ENGINE / TANK PARTS SPRUE



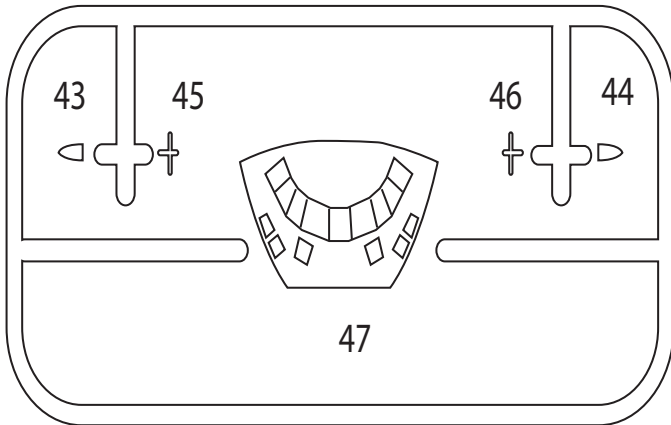
'G' GUNSHIP PARTS SPRUE



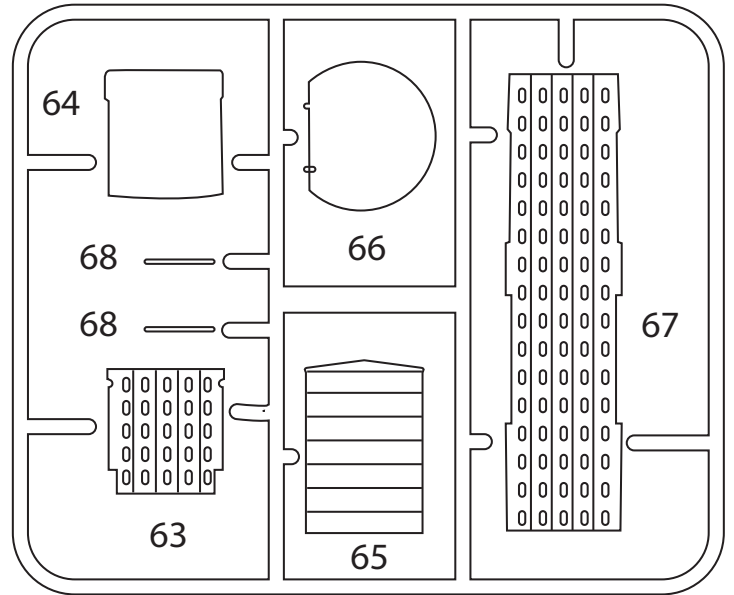
'D' PROPELLER / 'ROMAN NOSE' SPRUE



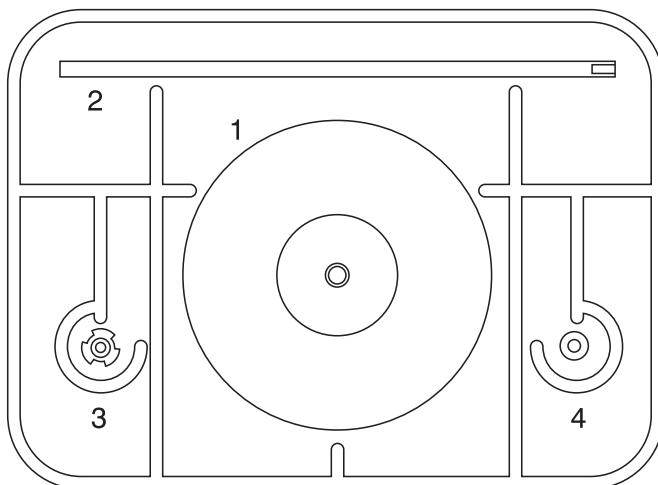
'C' CLEAR PARTS SPRUE

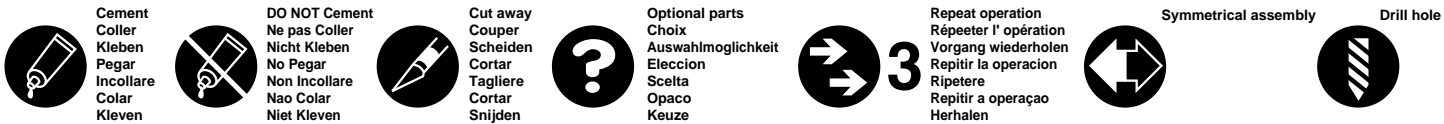


INTERIOR PARTS SPRUE



Clear Display Stand

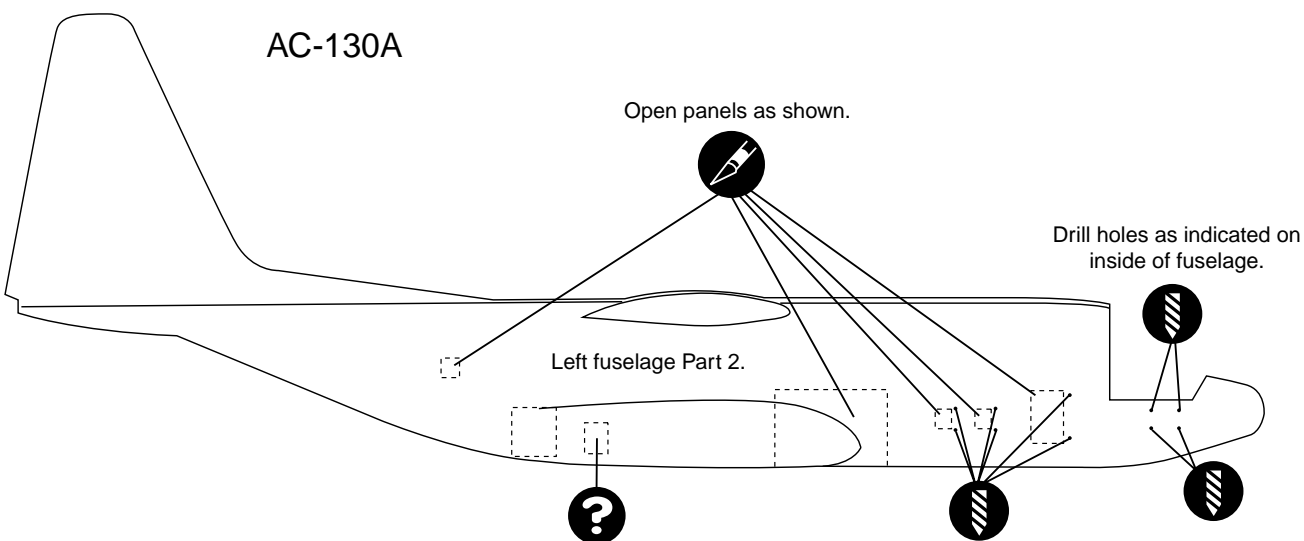




PLEASE NOTE

Your MINICRAFT model kit has been precision engineered and designed to allow the modeler to build different variants of the AC-130. Early AC-130s carried various combinations of armament, sometimes varying from mission to mission. Refer to the decal placement guide for options available to the builder, and review the instruction sheet before beginning assembly.

AC-130A ONLY

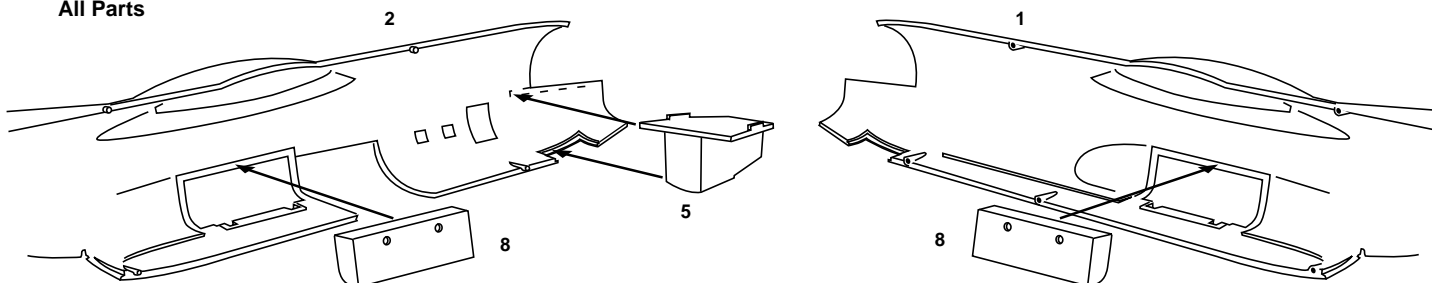


Open panel for single 40mm cannon installation only.
 A decal is provided to simulate the hatches for a dual 40mm cannon installation. Advanced modelers may choose to carefully cut the second small hatch out and add sheet styrene to the fuselage interior to mount the dual cannons. Refer to the decal guide, Step 3 and your references for information.

1 WHEEL WELLS



All Parts



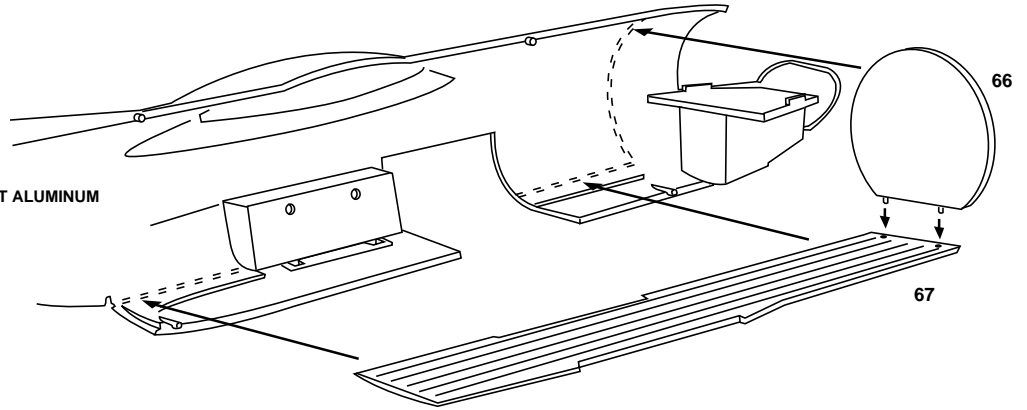
• Cockpit area **FLAT BLACK**
 or **LIGHT GRAY**

2 INTERIOR ASSEMBLY



All Parts

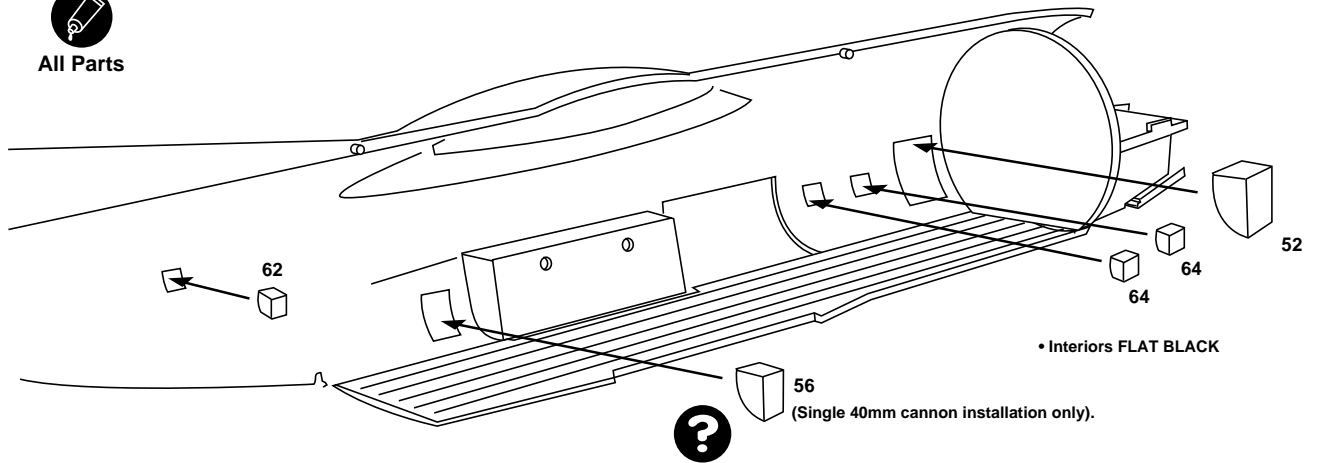
• Interior parts LIGHT GRAY or FLAT ALUMINUM



3 ARMAMENT INTERIOR PARTS



All Parts



4 FUSELAGE ASSEMBLY

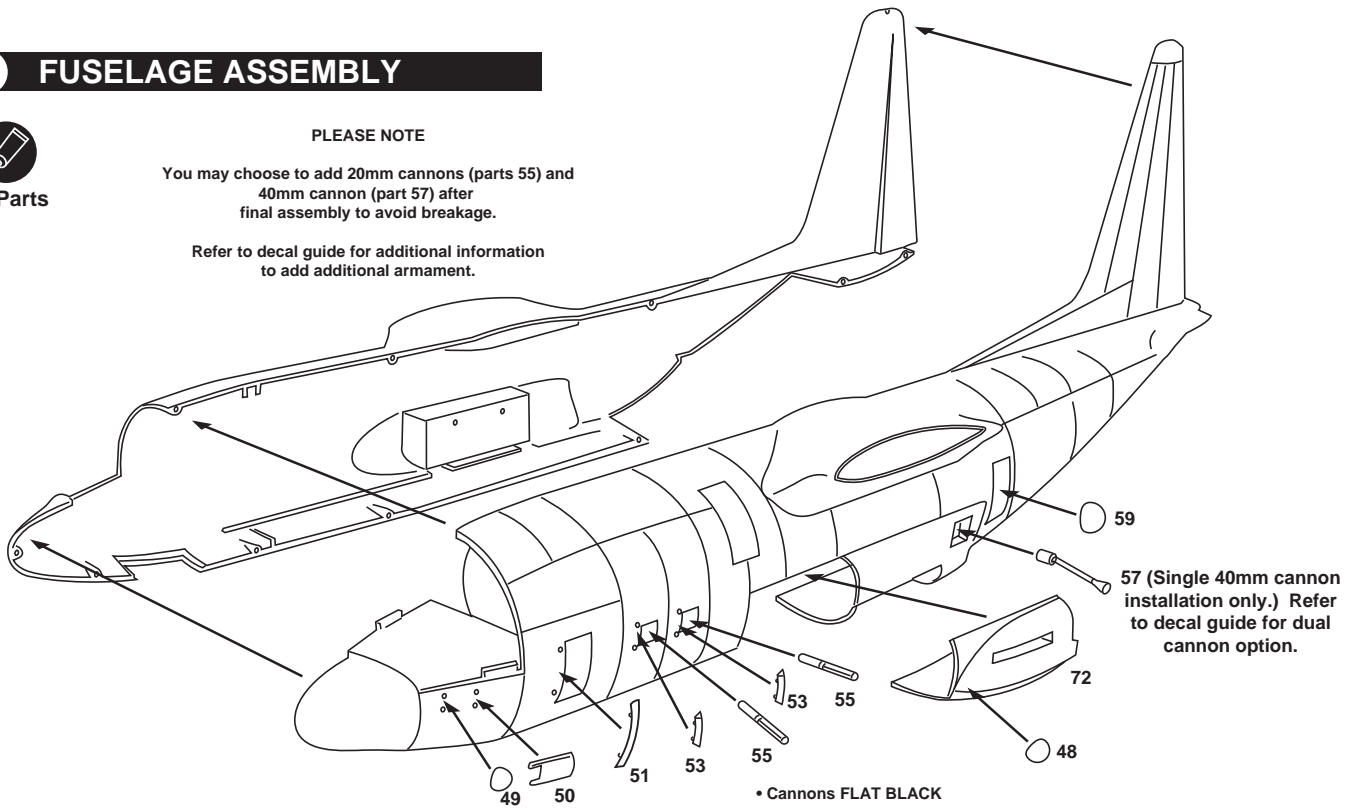


All Parts

PLEASE NOTE

You may choose to add 20mm cannons (parts 55) and 40mm cannon (part 57) after final assembly to avoid breakage.

Refer to decal guide for additional information to add additional armament.



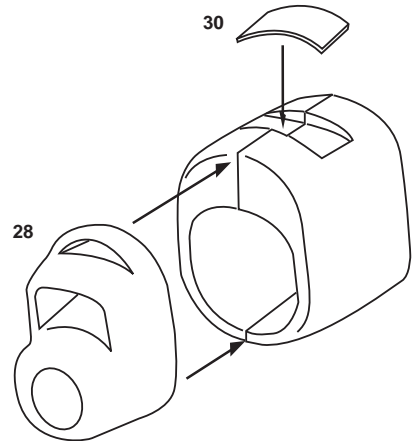
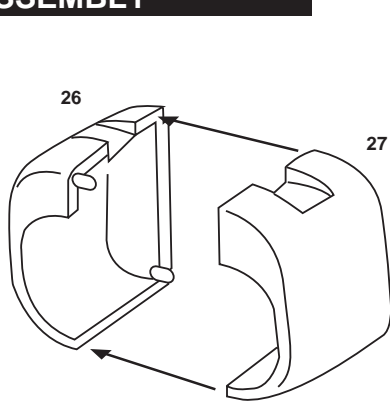
5 NACELLE ASSEMBLY



All Parts



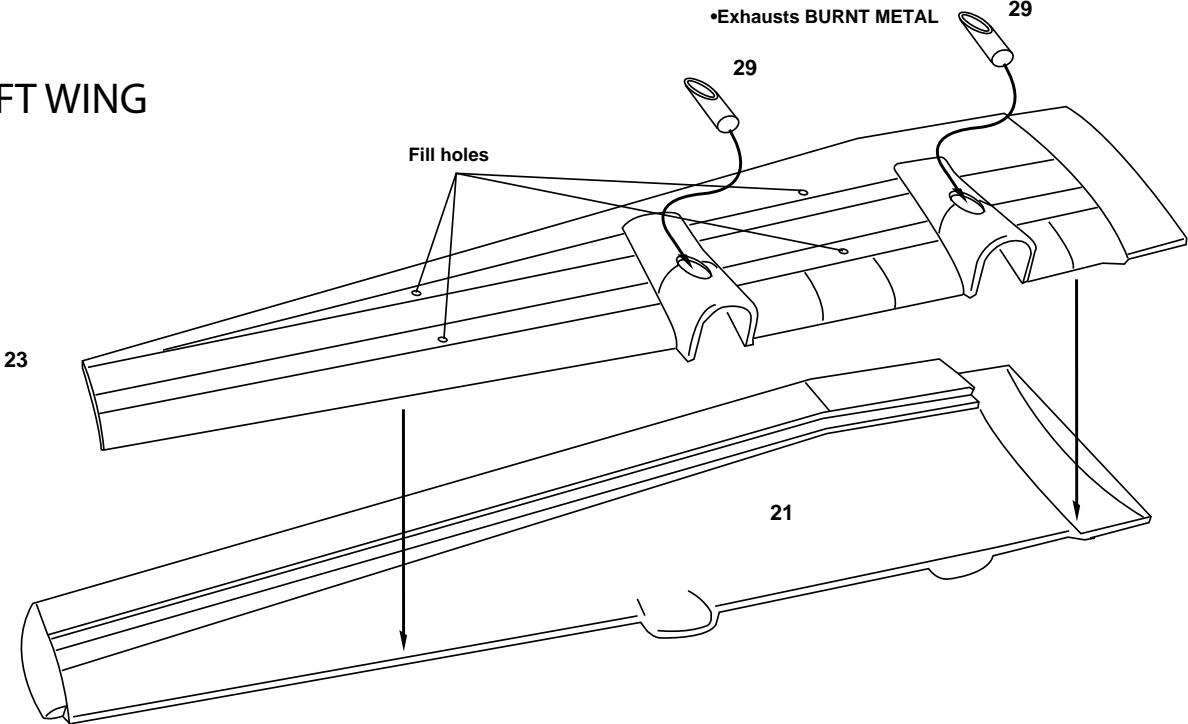
4



NOTE - Parts are shown upside down for clarity.

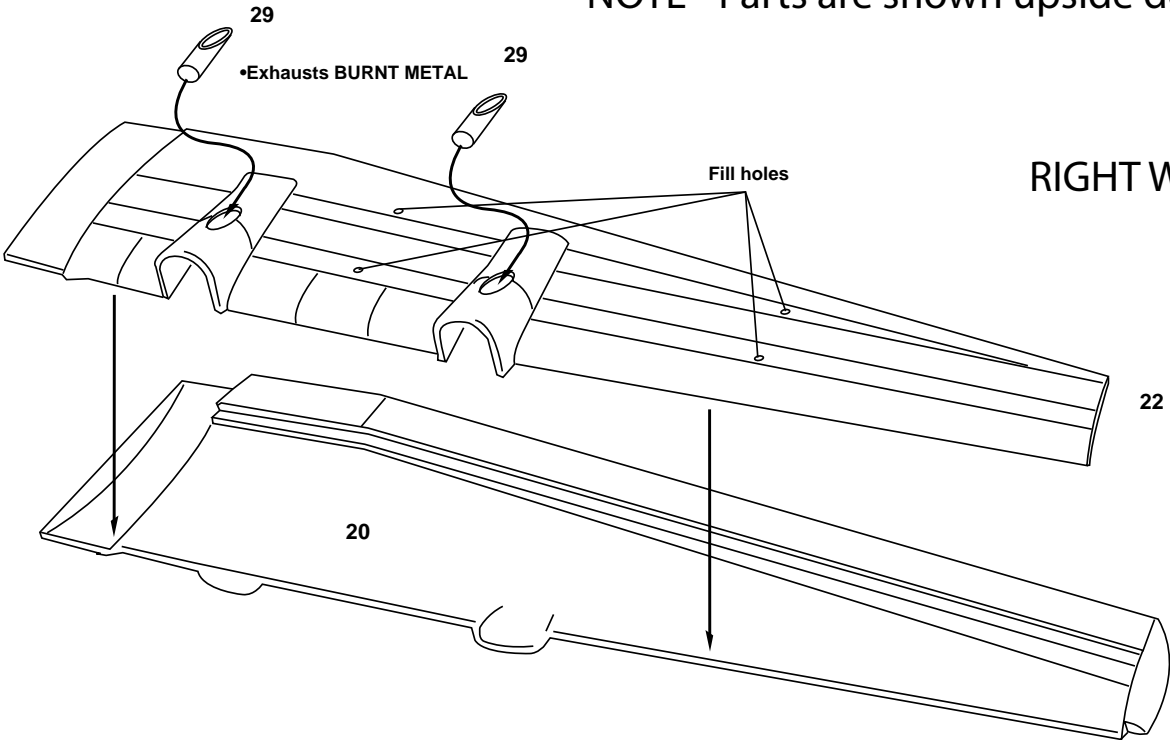
6 WING / EXHAUST ASSEMBLY

LEFT WING



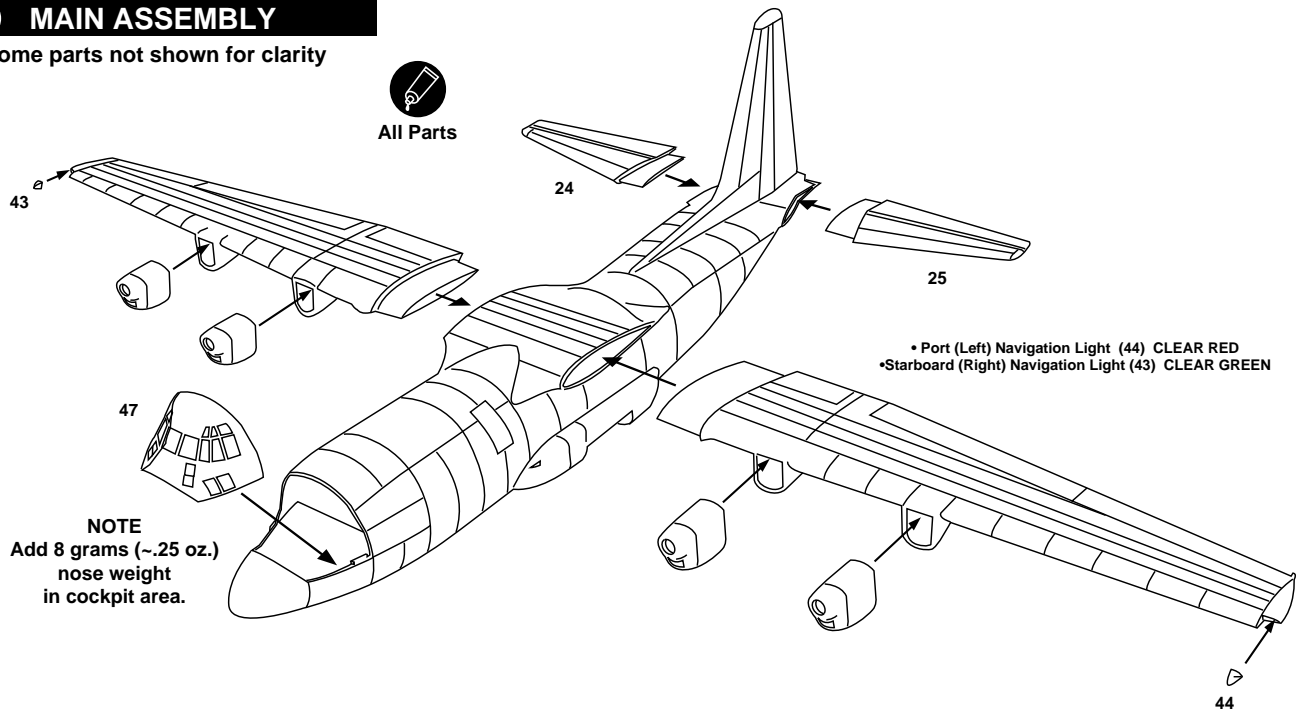
NOTE - Parts are shown upside down.

RIGHT WING

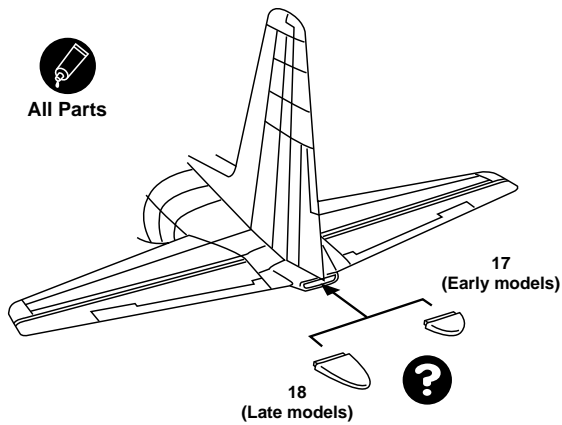


7 MAIN ASSEMBLY

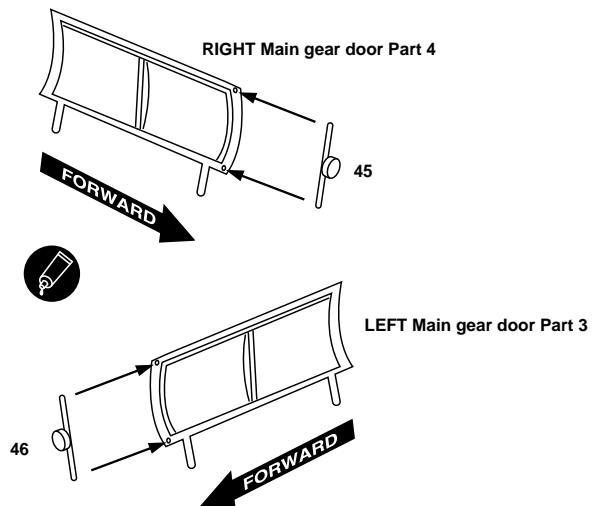
Some parts not shown for clarity



8 BEAVER TAIL

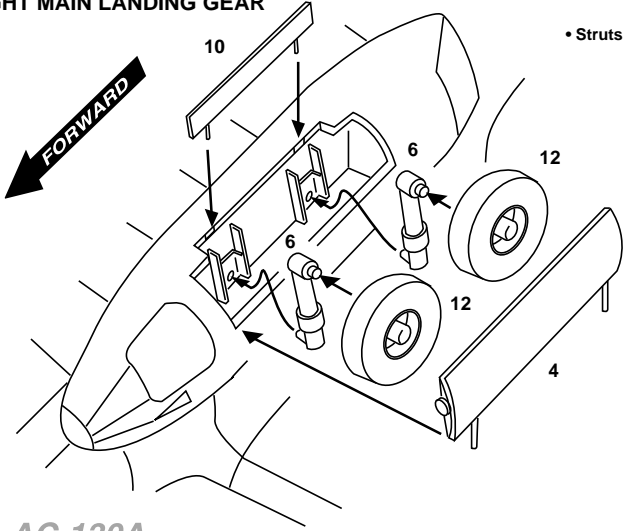


9 LANDING LIGHTS



10 MAIN LANDING GEAR

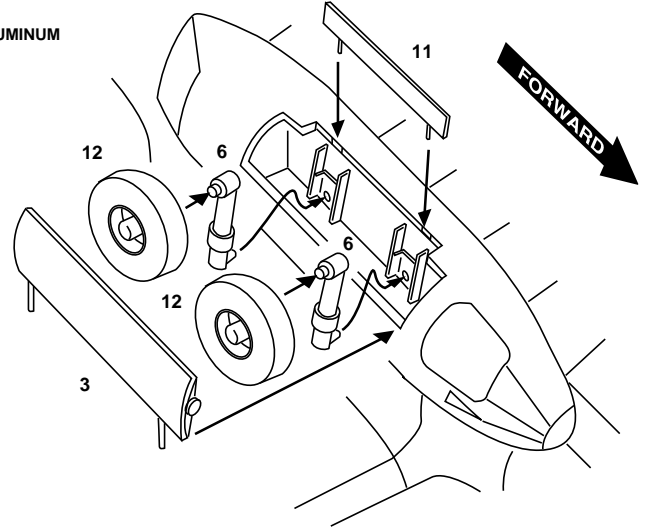
RIGHT MAIN LANDING GEAR



• Struts / Hubs / Interiors ALUMINUM
• Tires FLAT BLACK



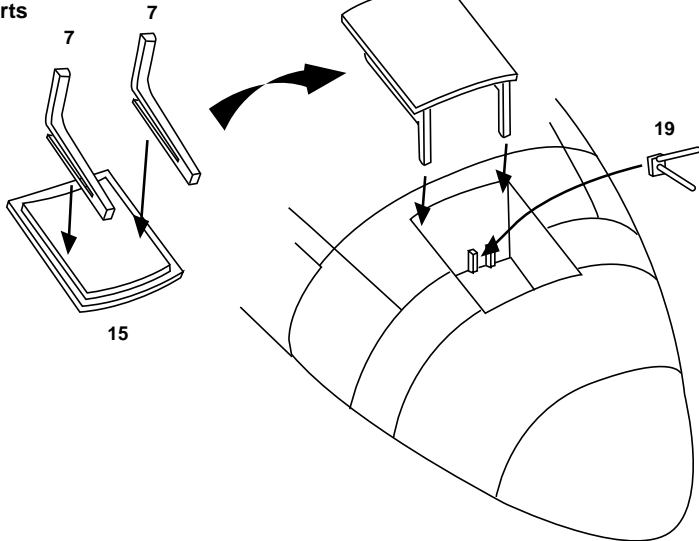
LEFT MAIN LANDING GEAR



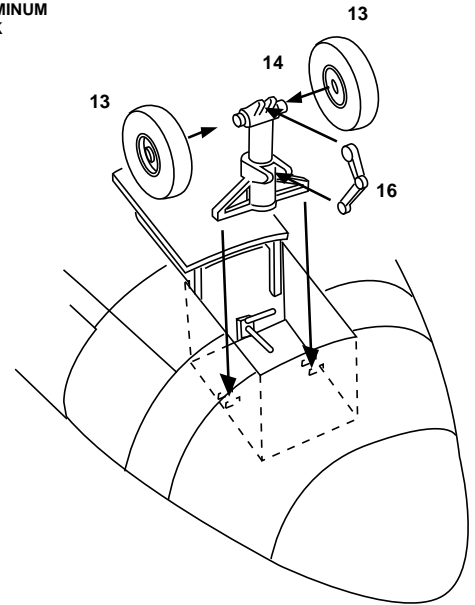
11 NOSE LANDING GEAR



All Parts



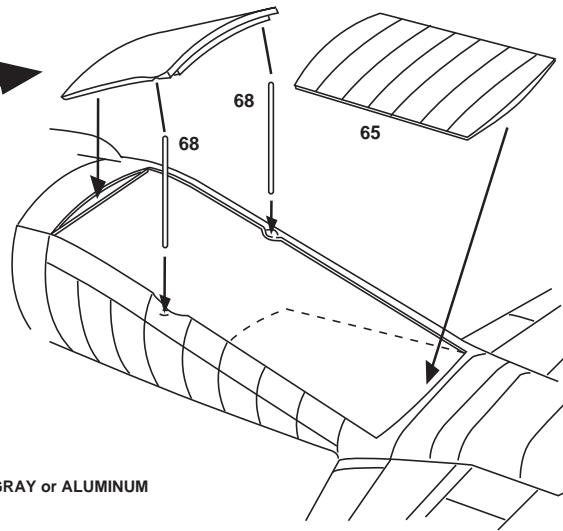
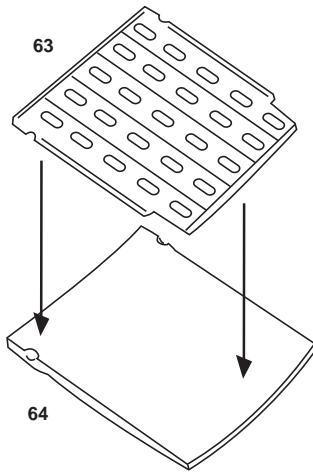
• Strut / Hubs / Interior ALUMINUM
• Wheels FLAT BLACK



12 CARGO HATCH



All Parts

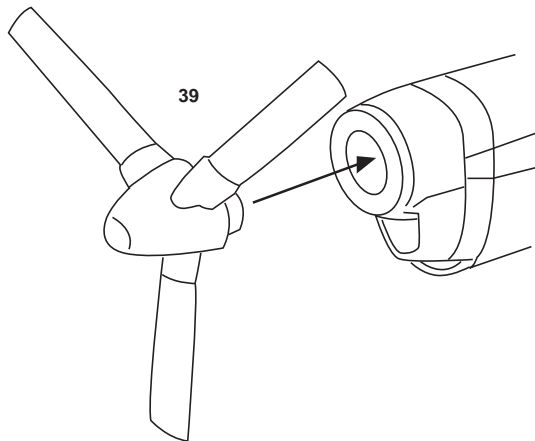


• Interior parts LIGHT GRAY or ALUMINUM

13 PROPELLERS



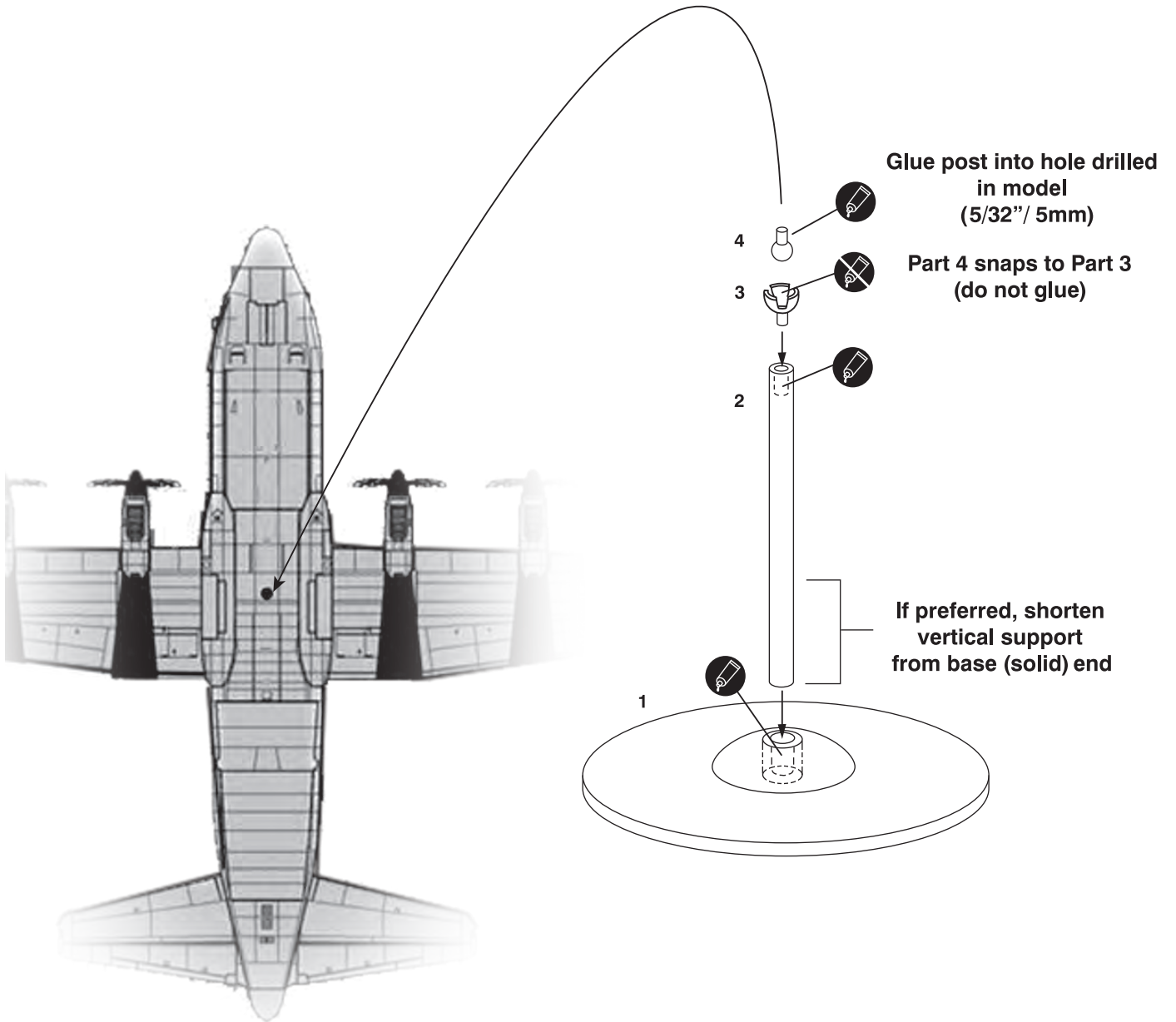
•Hub / Blades FLAT BLACK



All Parts

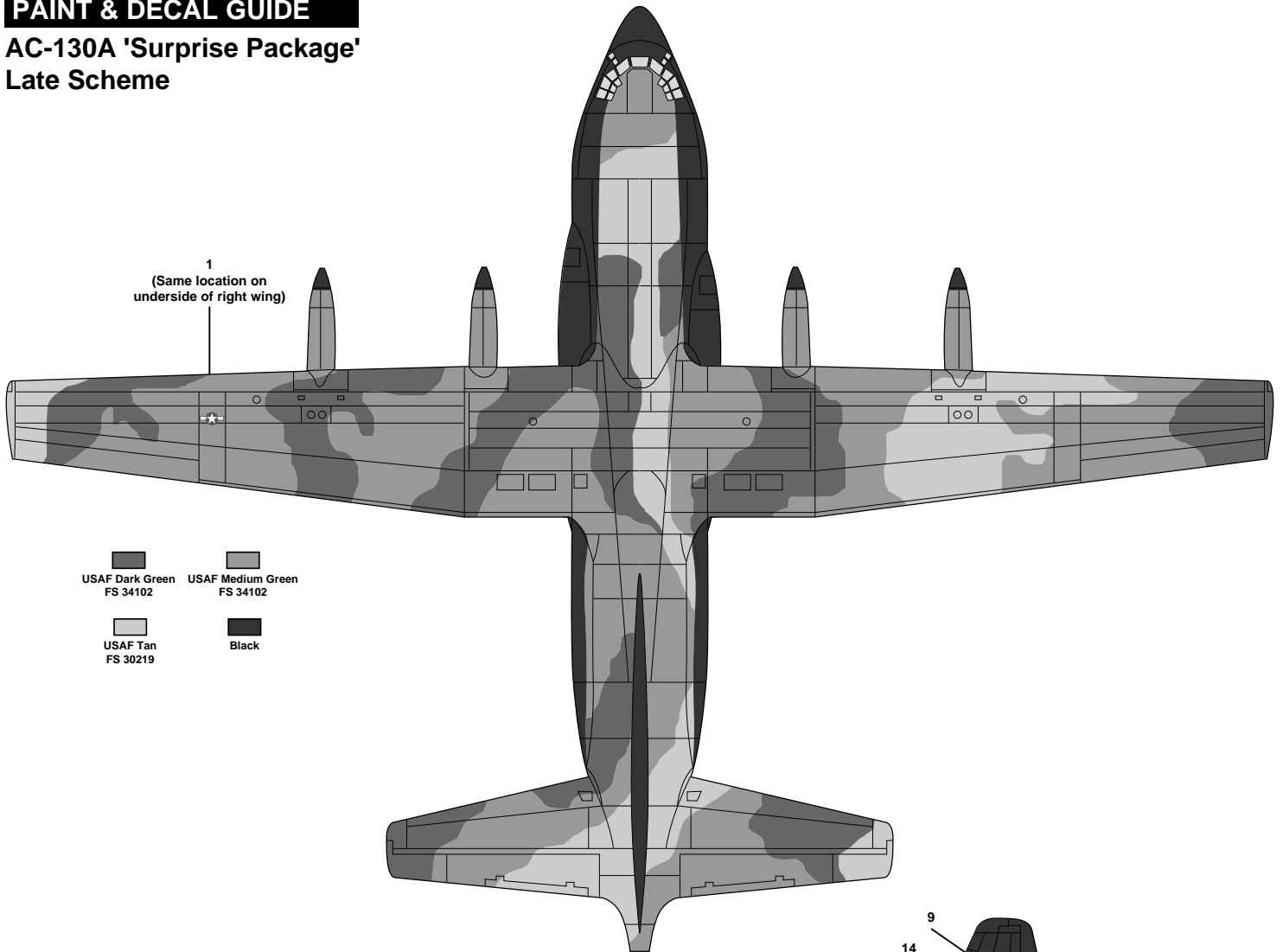
ASSEMBLY NOTE

**Assemble stand, then place model on stand.
Adjust model to find a fore and aft
balance point, mark and drill hole.**

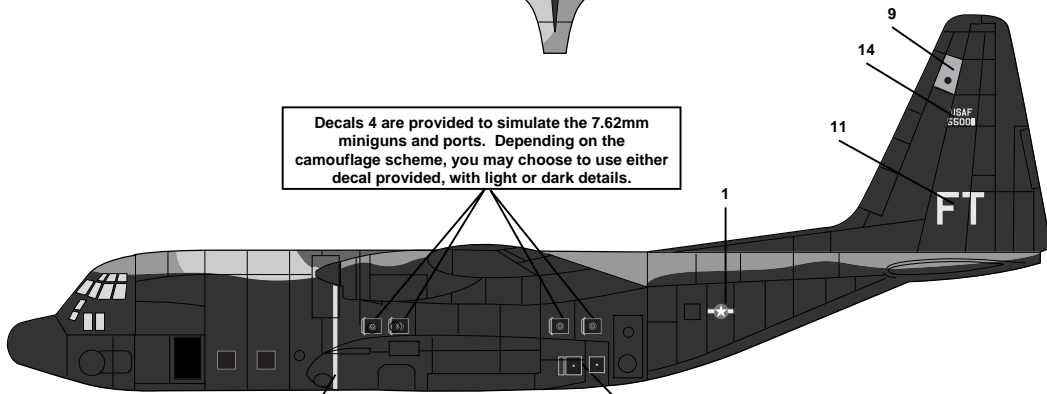


PAIN & DECAL GUIDE

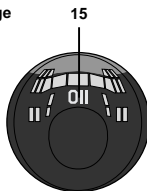
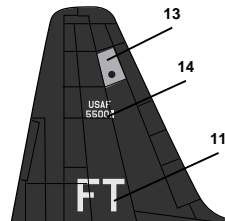
AC-130A 'Surprise Package' Late Scheme



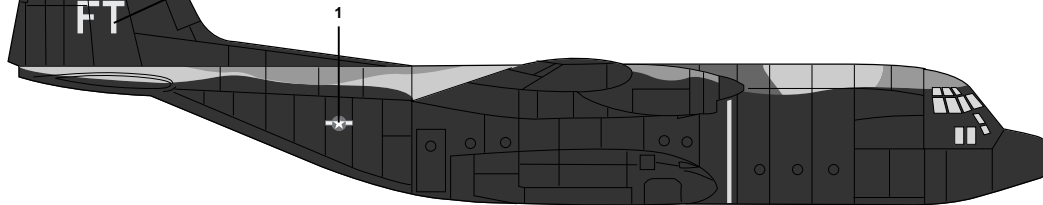
- USAF Dark Green
FS 34102
- USAF Medium Green
FS 34102
- USAF Tan
FS 30219
- Black



Wrap propeller warning stripe around lower fuselage and trim as shown.

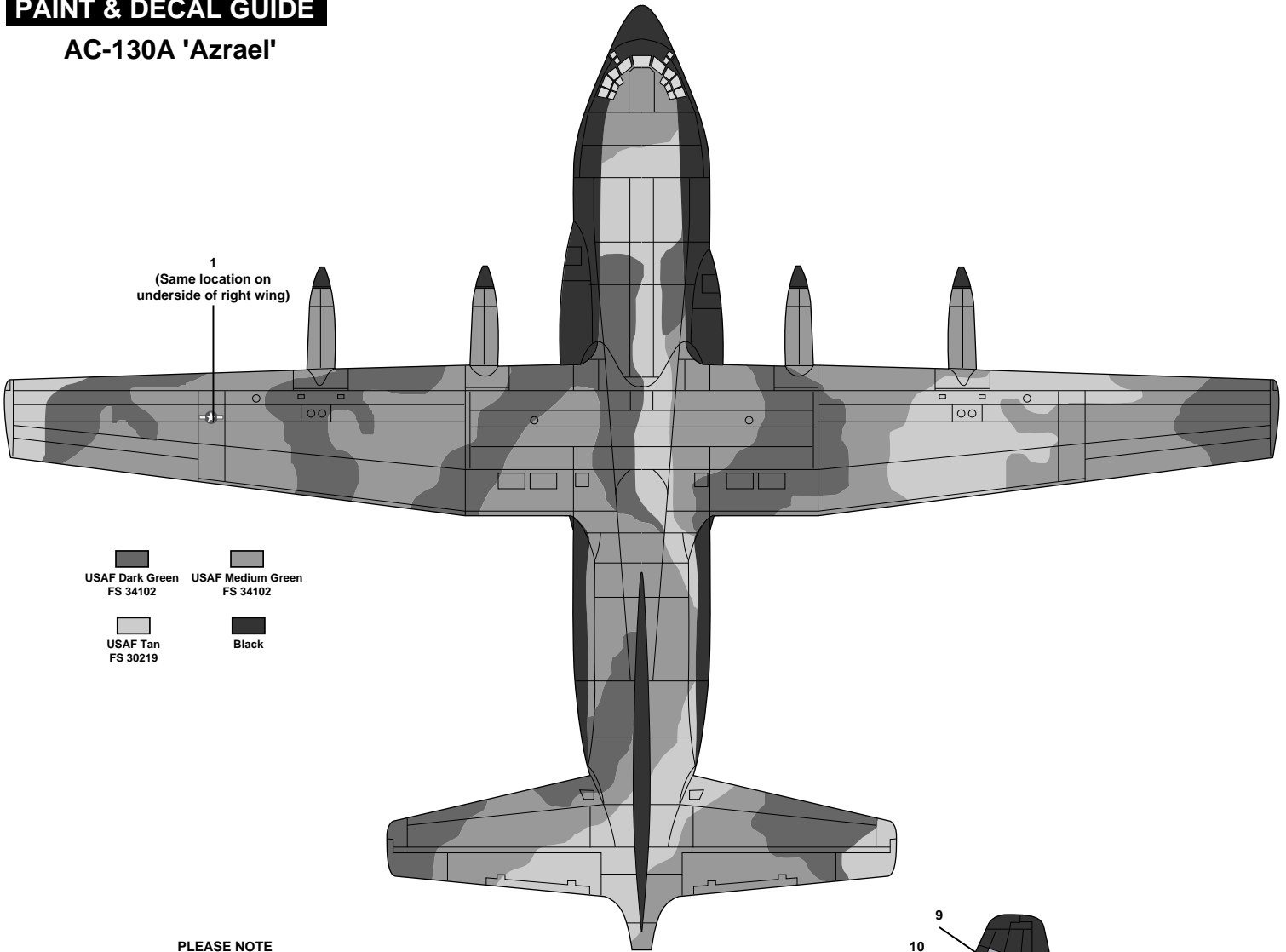






Decal 6 is provided to simulate the openings for the aft 20mm cannons (parts 55). After the decal is thoroughly dry, drill a small hole in the center of each panel and mount one part 55 in each hole. Depending on the camouflage scheme, you may choose to use either decal provided, with light or dark details.



PAINT & DECAL GUIDE

AC-130A 'Azrael'

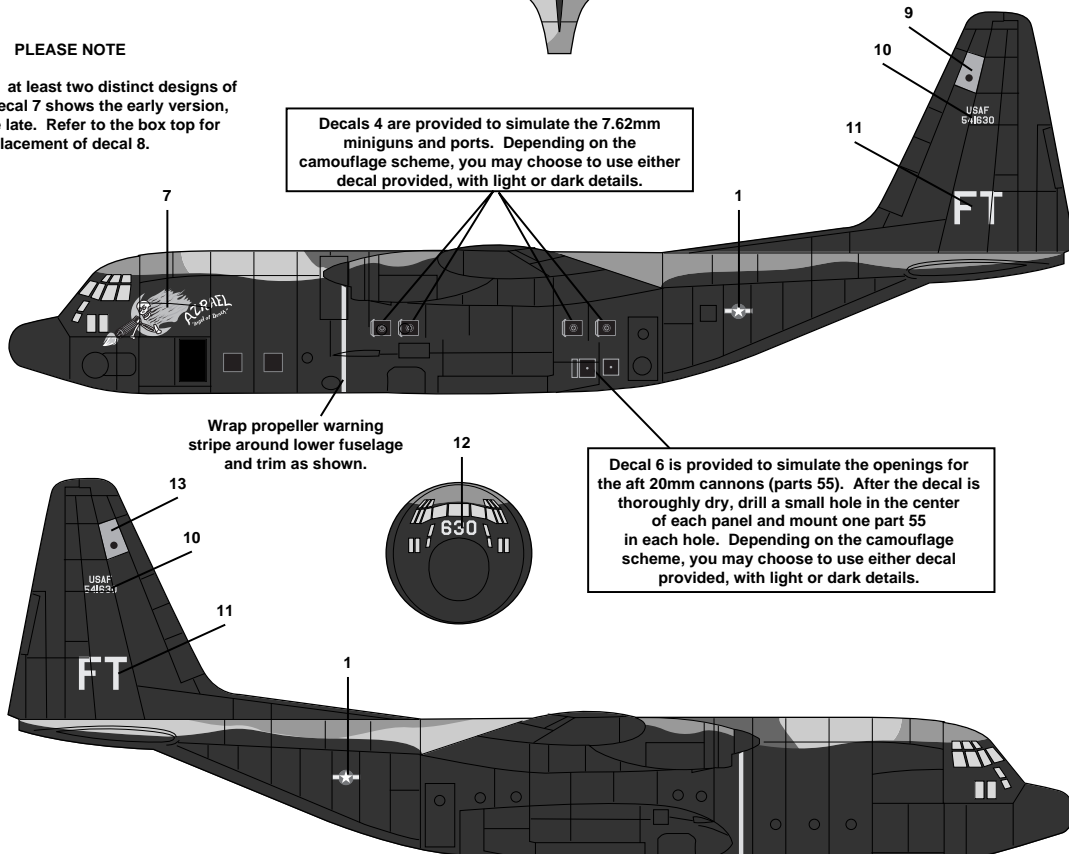


-  USAF Dark Green FS 34102
-  USAF Medium Green FS 34102
-  USAF Tan FS 30219
-  Black

PLEASE NOTE

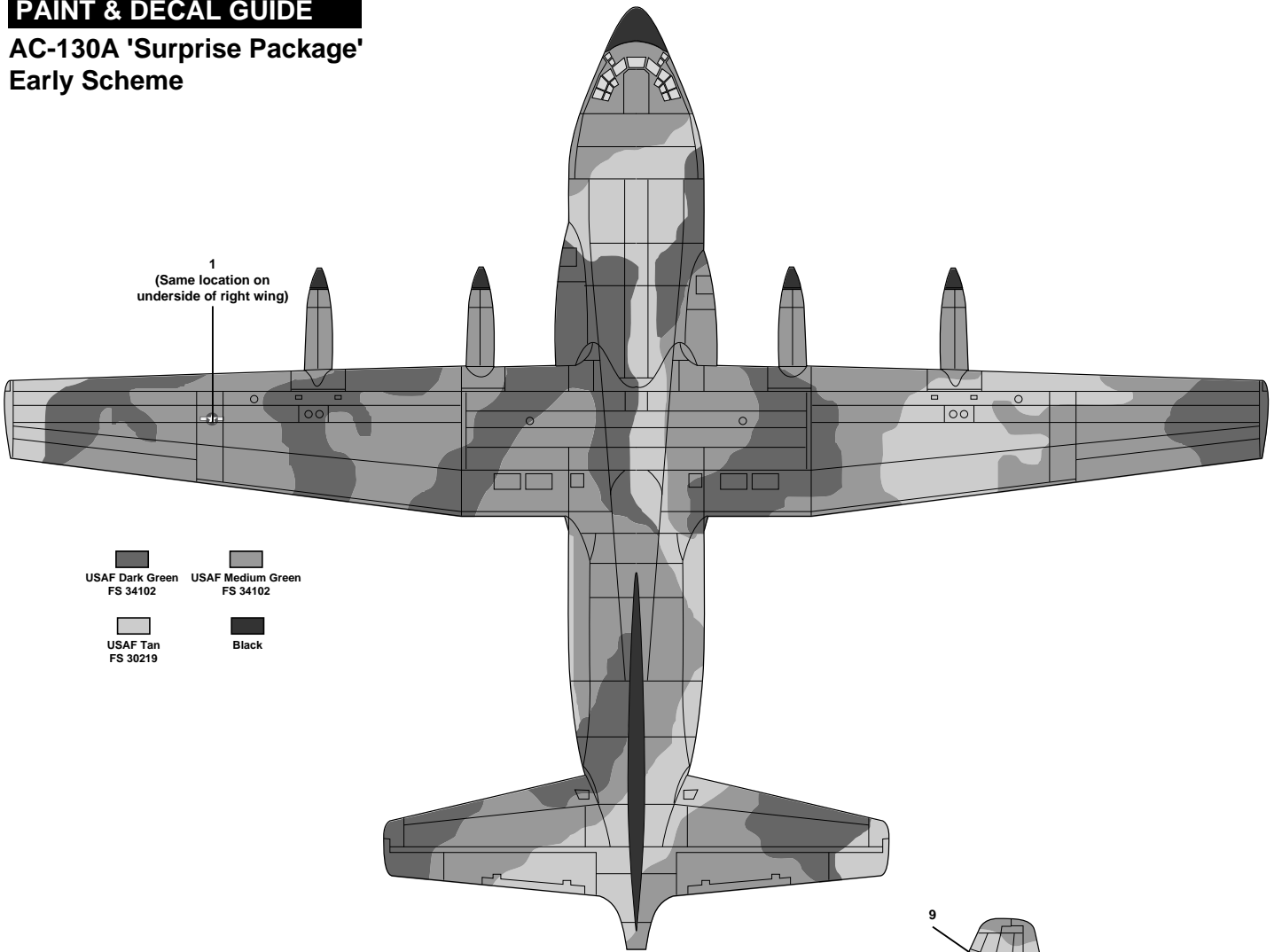
'Azrael' wore at least two distinct designs of nose art. Decal 7 shows the early version, decal 8 the late. Refer to the box top for placement of decal 8.




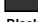
Decals 4 are provided to simulate the 7.62mm miniguns and ports. Depending on the camouflage scheme, you may choose to use either decal provided, with light or dark details.

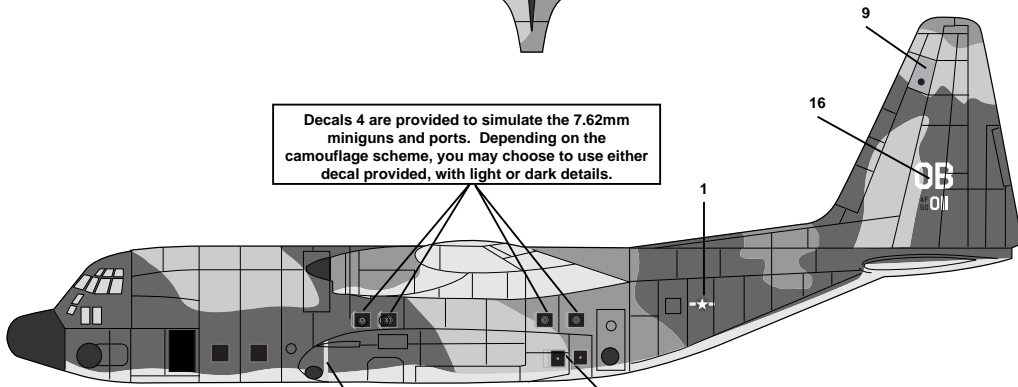


PAINT & DECAL GUIDE

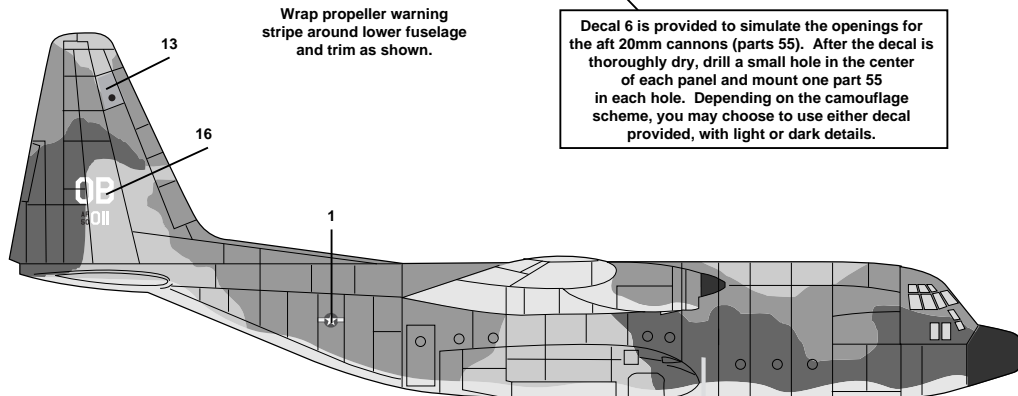
AC-130A 'Surprise Package' Early Scheme



-  USAF Dark Green
FS 34102
-  USAF Medium Green
FS 34102
-  USAF Tan
FS 30219
-  Black



Decals 4 are provided to simulate the 7.62mm miniguns and ports. Depending on the camouflage scheme, you may choose to use either decal provided, with light or dark details.

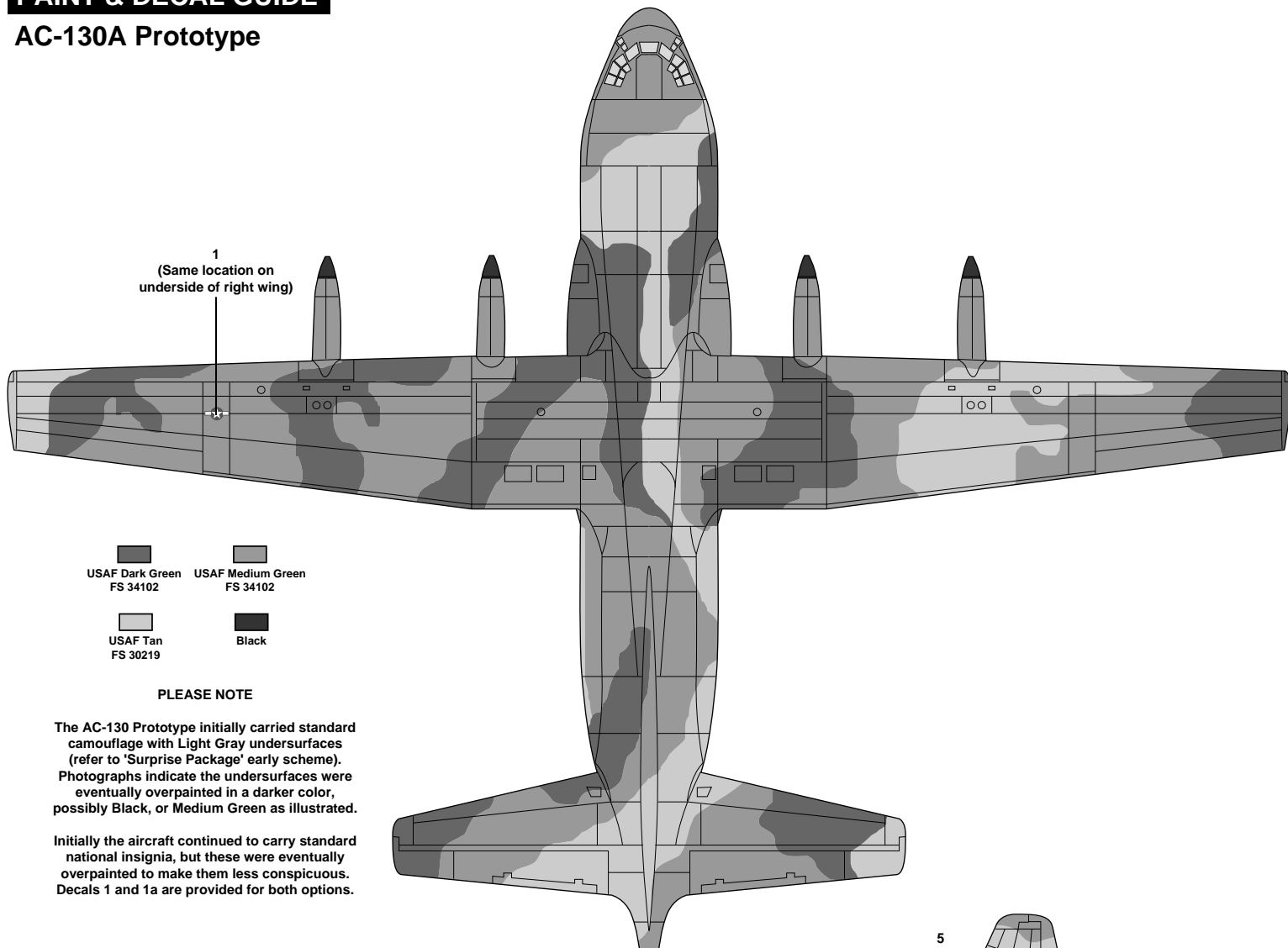






Wrap propeller warning stripe around lower fuselage and trim as shown.

Decal 6 is provided to simulate the openings for the aft 20mm cannons (parts 55). After the decal is thoroughly dry, drill a small hole in the center of each panel and mount one part 55 in each hole. Depending on the camouflage scheme, you may choose to use either decal provided, with light or dark details.

PAINT & DECAL GUIDE

AC-130A Prototype



- | | |
|---------------------------------------------------------------------------------------------------------------|-----------------------------------------------------------------------------------------------------------------|
|  USAF Dark Green
FS 34102 |  USAF Medium Green
FS 34102 |
|  USAF Tan
FS 30219 |  Black |

PLEASE NOTE

The AC-130 Prototype initially carried standard camouflage with Light Gray undersurfaces (refer to 'Surprise Package' early scheme). Photographs indicate the undersurfaces were eventually overpainted in a darker color, possibly Black, or Medium Green as illustrated.

Initially the aircraft continued to carry standard national insignia, but these were eventually overpainted to make them less conspicuous. Decals 1 and 1a are provided for both options.

