

14739 Plastic Model Kit Skill Level 2 1/144 Scale

MINICRAFT
MODEL KITS

Includes!
Clear Display Stand
Pre-Painted Canopy



P-51 Mustang™
Produced under license. Boeing, P-51 Mustang,
the distinctive Boeing logos, product markings
and trade dress are trademarks of The Boeing Company.

P-51D Mustang™

The P-51D was developed from a Royal Air Force request for a high performance fighter, but the P-51 was finally refined to become the "best" allied fighter in World War II after mounting Rolls Royce Merlin engine to the P-51 airframe in 1943. By 1944 the P-51D began operations as long-range bomber escort for operations against forces of Germany and Japan. Minicraft Model Kits new 1/144 scale P-51D offers builders the choice of 2 decal options representing 2 aircraft that operated in the famous 8'th Air Force protecting US bombers engaged in day light bombing raids of Germany in 1944 and 1945.

Painting and finishing Minicraft model kits

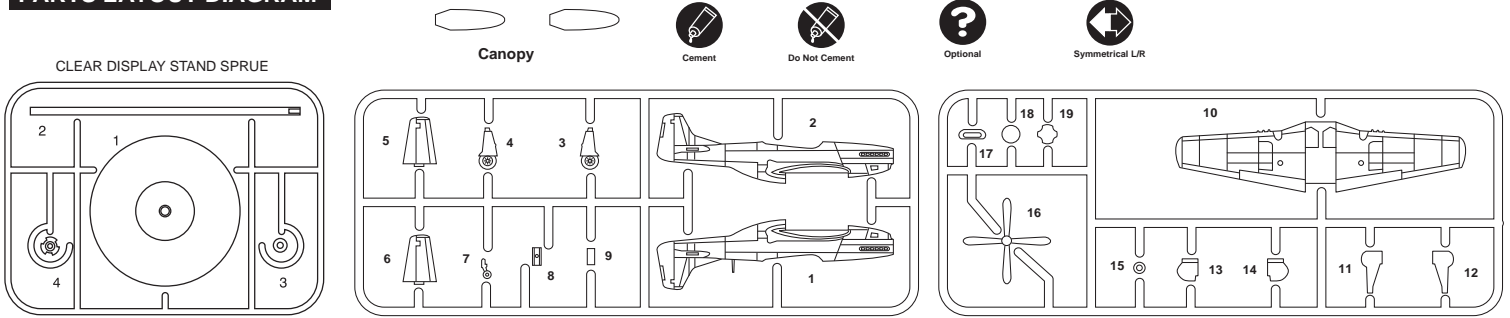
Techniques for painting and finishing your model vary depending on the preferences of each model builder. Commonly most painting is recommended before assembly. Small details are best painted before assembly. Details like car and airplane interiors **MUST** be painted before assembly. Modelers may choose to paint the model kit using model paint with a paintbrush, an aerosol spray can or an airbrush. Large areas of the model like a model car a body or model airplane wings and fuselage are best painted before assembly or as a partially assembled sub-assembly. Use of an aerosol can or airbrush is recommended. Models can be painted after assembly but clear parts and some details will need to be masked to keep clear parts clear and preserve pre-painted details.

Decal Application:

Your Minicraft model includes high-quality waterslide decals. These decals adhere best to a glossy surface. Use a sharp scissors or knife to cut individual decals from the carrier sheet. Do not cut into the clear film surrounding the individual decals. It is recommended that you apply one decal at a time. Place the decal section in warm water, when first inserted in the water your decal will curl, after approximately ten seconds the decal will uncurl. Remove from water and lay on a paper towel. After approximately 10 - 20 seconds the decal will slide freely from the backing paper. Use a small brush to help slide the decal from the backing paper and into position on the model. Carefully blot excess water from the decal, using care not to move the decal or tear it. If you choose to use a setting solution, apply a thin coat over the decal following the manufacturer's instruction. Allow the decal to dry overnight. Wash any adhesive residue off the model with a small wet towel.

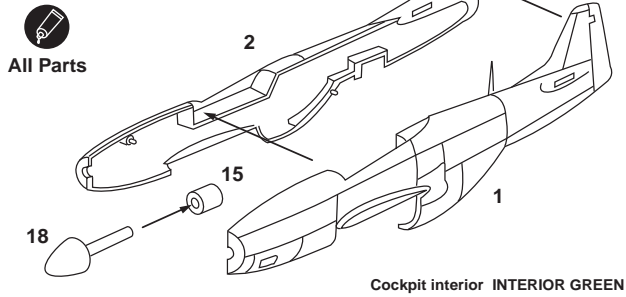
Minicraft Models (US) LLC 2136 12th St. Rockford, IL. 61104 Printed in China
www.minicraftmodels.com

PARTS LAYOUT DIAGRAM

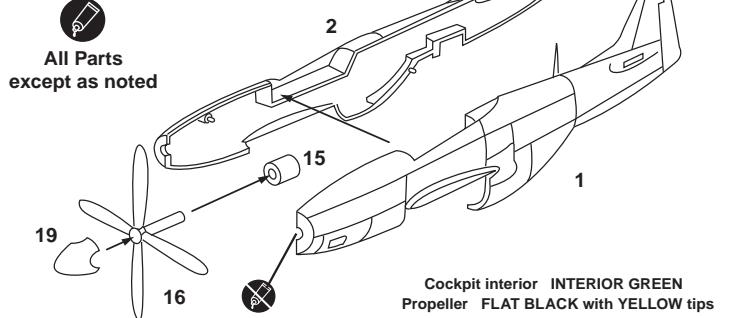


Your MINICRAFT P-51D may be assembled with various options, such as 'In-flight' features as retracted landing gear and 'spinning' propellers. Parts are also provided for a 'stationary' or 'ground' version with extended landing gear. Please review the assembly steps to become familiar with the parts before beginning assembly.

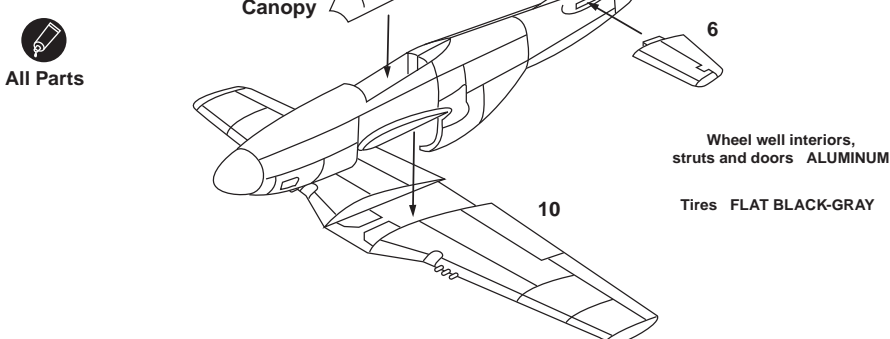
1 IN-FLIGHT VERSION



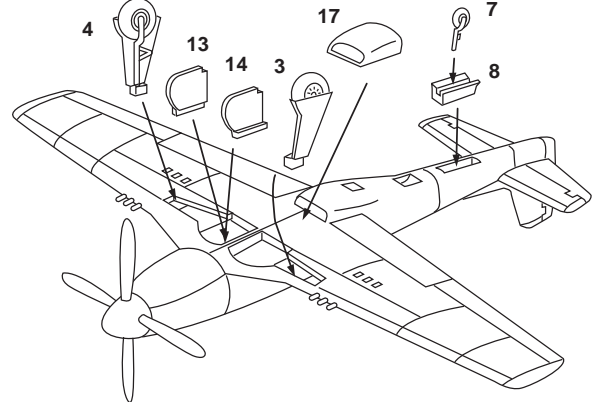
2 STATIONARY VERSION



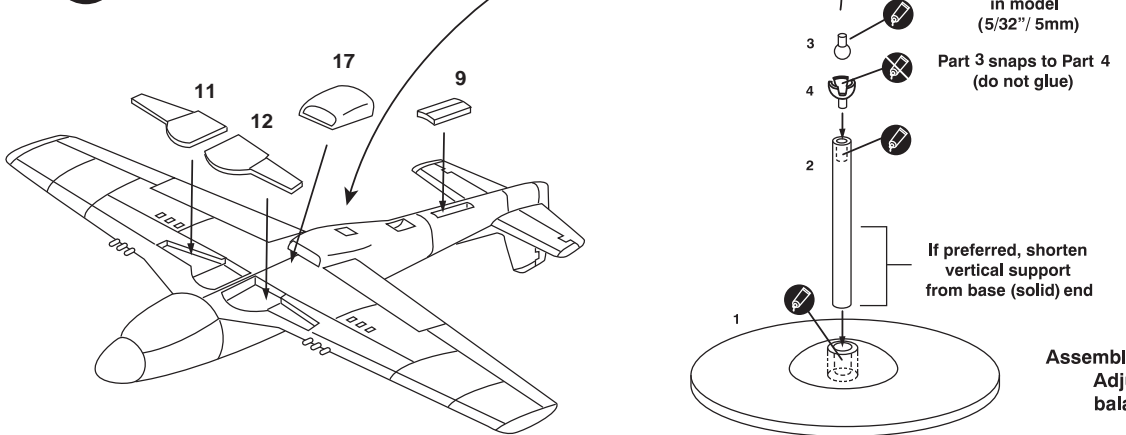
3 BOTH VERSIONS



4 STATIONARY VERSION



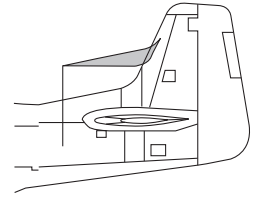
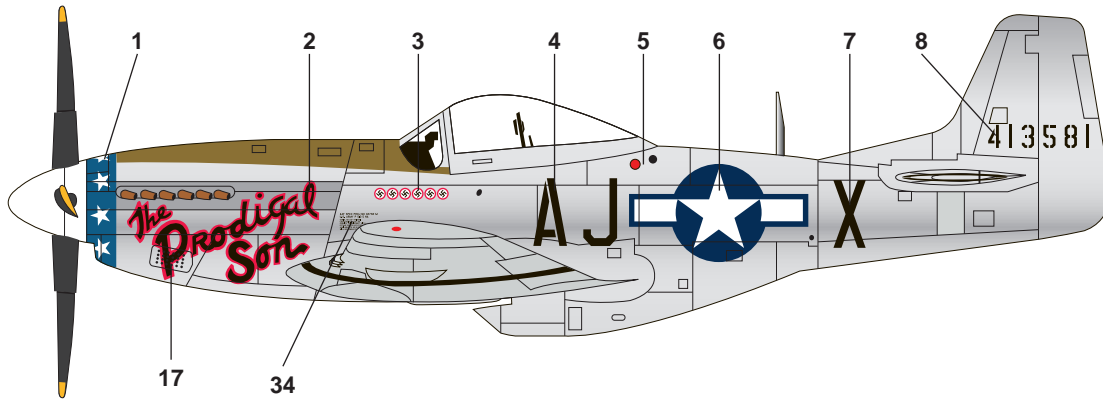
5 IN-FLIGHT VERSION



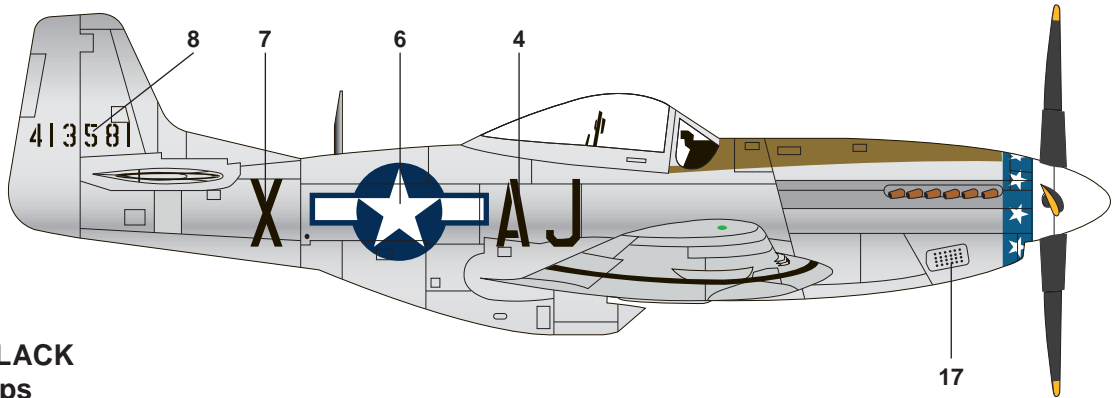
ASSEMBLY NOTE
Assemble stand, then place model on stand. Adjust model to find a fore and aft balance point, mark and drill hole.

PAINT & DECAL GUIDE

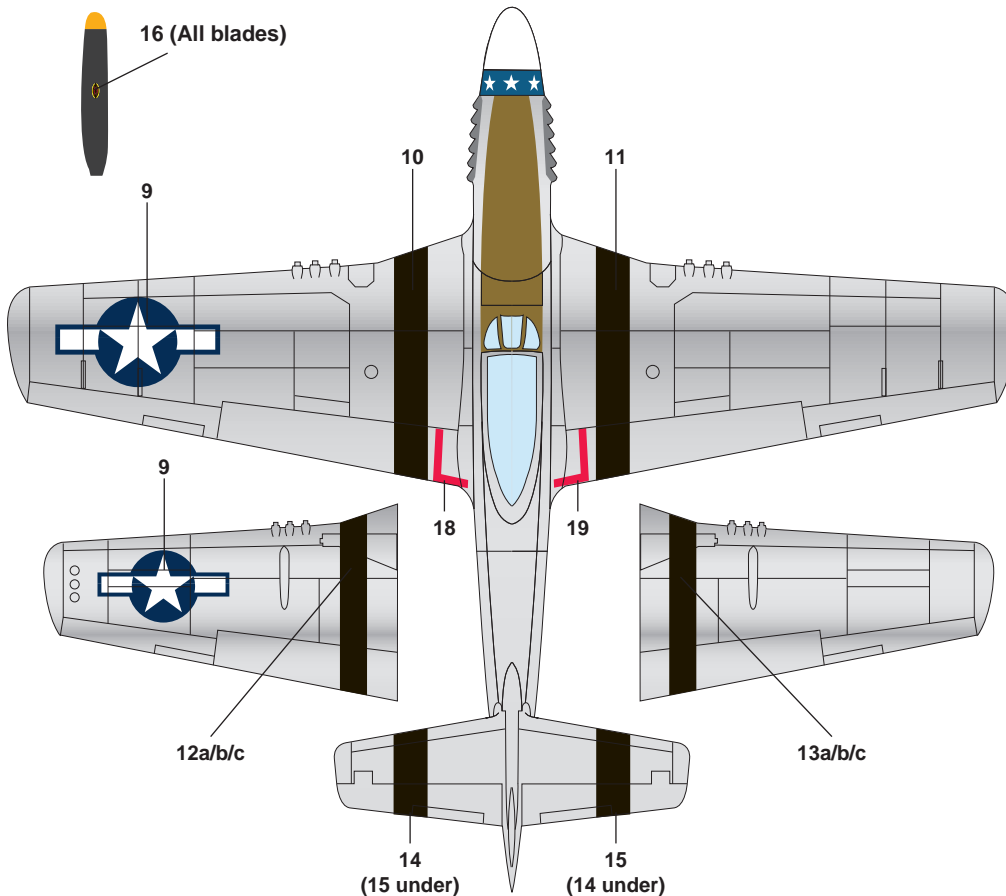
Aircraft 1 Lt. Bart Tenore 354th FG, 356thFS, Eighth Air Force



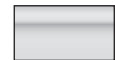
OPTIONAL
P-51D 'The Prodigal Son' had the early vertical tail lacking the dorsal fillet. If desired, carefully cut away the shaded area and sand smooth. Many early Mustangs were retrofitted with a dorsal fin fillet, but it is not confirmed for this aircraft.



Propellers FLAT BLACK with YELLOW tips



White

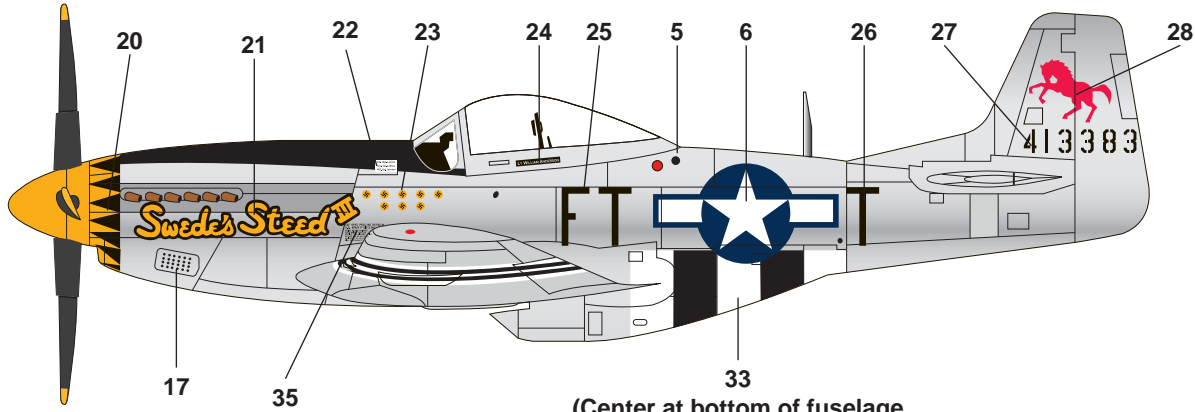


Aluminum



**Olive Drab
FS 34087
(Anti-glare panel)**

Aircraft 2 1st Lt. William Anderson 353rd FS, 354th FG, Ninth Air Force

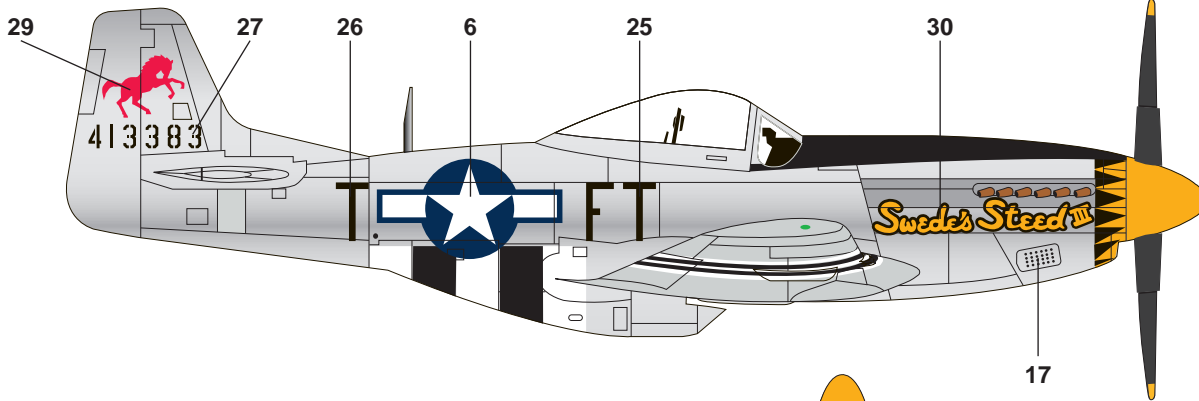


(Center at bottom of fuselage and wrap up on sides - apply BEFORE insignias 6)


Yellow
(Match decal color)


Flat Black
(Anti-glare panel)


Aluminum



Propellers FLAT BLACK with YELLOW tips

