

14735**Plastic Model Kit****Skill Level 2****1/144 Scale**

- 2 marking options
- Build it "in flight" or "on the ground"

- Rotating propellers
- Decals by Cartograf



LOCKHEED MARTIN 

LOCKHEED MARTIN®, B-24®, Liberator®, associated emblems and logos, and body designs of vehicles are either registered trademarks or trademarks of Lockheed Martin Corporation in the USA and/or other jurisdictions, used under license by Minicraft Models (USA) LLC.

B-24D[®] Liberator[®] "Moby Dick"

The B-24 was produced in greater quantities than any other aircraft in WWII. The B-24D was the early version of the B-24 having served in all theatres of operation. The United States Navy, United States Army Air Force and many allied air forces units employed the B-24D worldwide. The B-24D features new "D" fuselage and "greenhouse" nose with high quality Cartograf decals, markings for 2 aircraft that served the U.S. Army Air Force 8th Air Force in World War II.

Painting and finishing Minicraft model kits

Techniques for painting and finishing your model vary depending on the preferences of each model builder. Commonly most painting is recommended before assembly. Small details are best painted before assembly. Details like car and airplane interiors **MUST** be painted before assembly. Modelers may choose to paint the model kit using model paint with a paintbrush, an aerosol spray can or an airbrush. Large areas of the model like a model car a body or model airplane wings and fuselage are best painted before assembly or as a partially assembled sub-assembly. Use of an aerosol can or airbrush is recommended. Models can be painted after assembly but clear parts and some details will need to be masked to keep clear parts clear and preserve pre-painted details.

Decal Application:

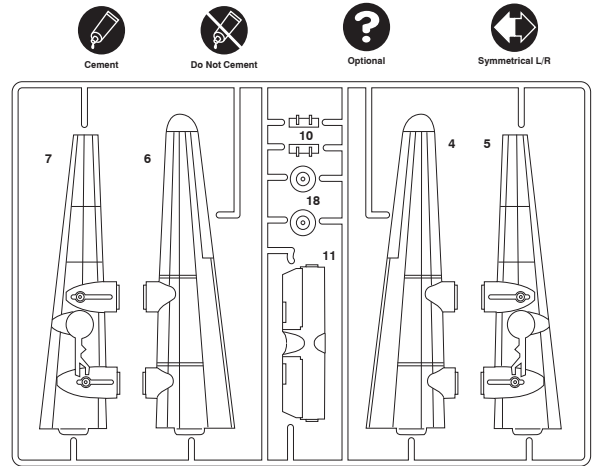
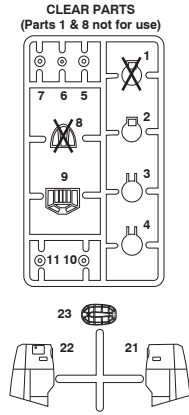
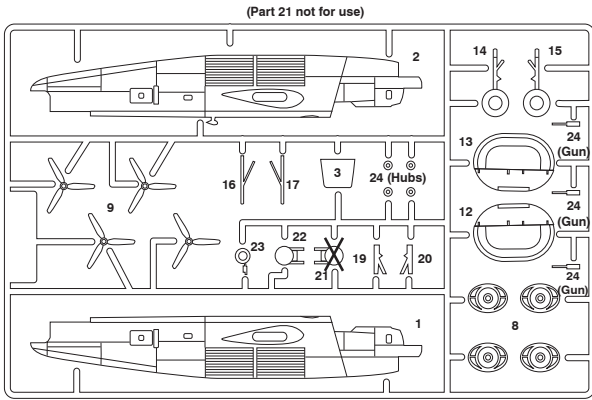
Your Minicraft model includes high-quality waterslide decals. These decals adhere best to a glossy surface. Use a sharp scissors or knife to cut individual decals from the carrier sheet. Do not cut into the clear film surrounding the individual decals. It is recommended that you apply one decal at a time. Place the decal section in warm water, when first inserted in the water your decal will curl, after approximately ten seconds the decal will uncurl. Remove from water and lay on a paper towel. After approximately 10 - 20 seconds the decal will slide freely from the backing paper. Use a small brush to help slide the decal from the backing paper and into position on the model. Carefully blot excess water from the decal, using care not to move the decal or tear it. If you choose to use a setting solution, apply a thin coat over the decal following the manufacturer's instruction. Allow the decal to dry overnight. Wash any adhesive residue off the model with a small wet towel.

Minicraft Models (US) LLC 2136 12th St. Rockford, IL. 61104 Printed in China
www.minicraftmodels.com

1/144 Scale B-24D Liberator

Your MINICRAFT B-24D may be assembled with various options, such as 'In-flight' features as retracted landing gear and 'spinning' propeller. Parts are also provided for a 'stationary' or 'ground' version with extended landing gear. Please review the assembly steps to become familiar with the parts before beginning assembly.

PARTS LAYOUT DIAGRAM



1

Carefully remove nose sections from fuselage halves 1/2 as indicated by line inside of parts. Replace with clear nose parts 21/22 as shown.

Mask small windows shown in Black before assembly.

1

Cockpit INTERIOR GREEN

Add nose weight (not included) if building with landing gear down.

(1+21)

(2+22)

All Parts

Optional Seat belt and Instrument panel Decals

2

LEFT WING

RIGHT WING

3

STATIONARY VERSION

IN-FLIGHT VERSION

Propellers BLACK with YELLOW tips

All Parts

4 IN-FLIGHT VERSION

All Parts

Tires BLACK-GRAY

Remove small tabs from parts 10

5 STATIONARY VERSION

NOTE
 Nosegear doors (parts 10) not used, as 'D' model doors retracted inward.

Tires BLACK-GRAY
 Struts ALUMINUM
 Gear door and wheel well interiors CHROMATE GREEN

All Parts

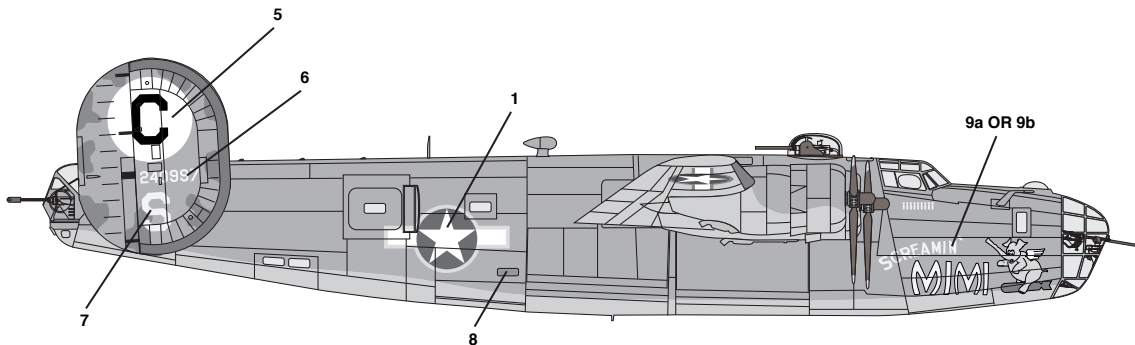
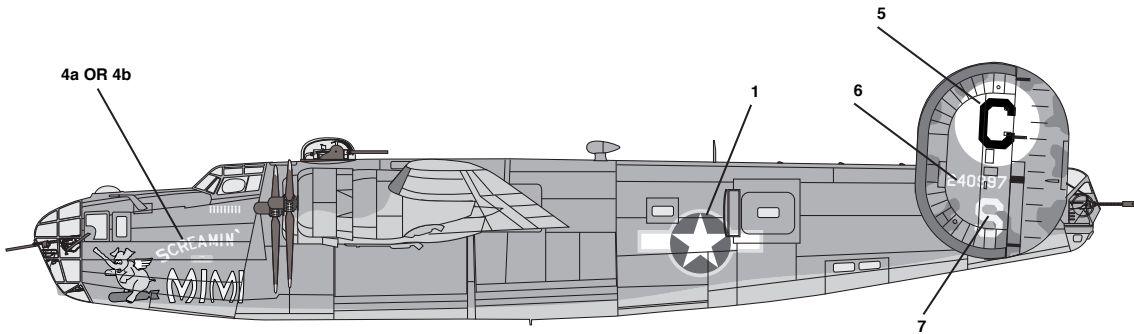
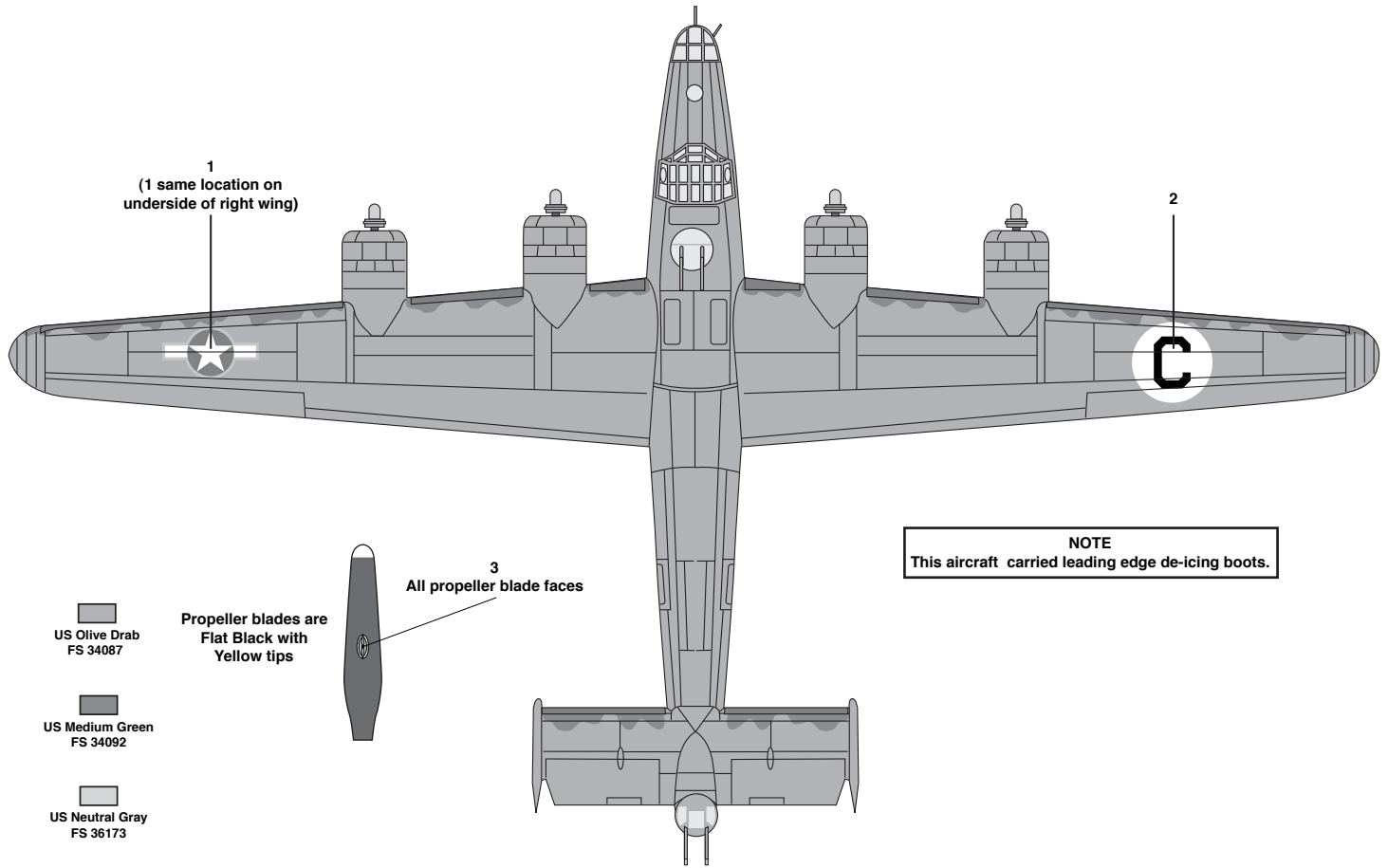
6 Use CLEAR parts 2/3/4/6/9/23

All Parts

Gun barrels GUNMETAL

PAINT & DECAL GUIDE

B-24D "Screamin' MIMI" 565th BS, 389th BG, Norfolk, UK, 1943



PAINT & DECAL GUIDE

B-24D "Moby Dick" 320th BS, 90th BG, South Pacific, 1943

