

**MINICRAFT**  
**MODEL KITS**

Plastic Model Kit

Skill Level 2

1/144 Scale

14734

- Display Stand
- Vietnam Era
- Can be built as D or F variant
- Pose-able Flaps
- Cartograf Decals



D Variant



F Variant

B-52 Superfortress™  
Produced under license from Boeing. B-52 Superfortress  
distinctive Boeing logos, product markings and  
tail fin design are trademarks of The Boeing Company.

**"NEW TOOLING"**  
**D & F Variants!**

# B-52D/F STRATOFORTRESS™

*The B-52 was first deployed 1955 as a high altitude "atomic bomber". As the conflict in South East Asia expanded the B-52D and B-52F was adapted for use as a high altitude conventional bomber and deployed during the Viet Nam conflict. The bomb laden B-52 came to be recognized as the symbol of US military power during the Viet Nam war. The new Minicraft model of the B-52 features all-new fuselage tooling with the distinctive tall tail and tail turret seen on early model B-52's. New tooling also includes new engines for "D" or "F" engines. New tooling also includes bomb racks and bombs and decals for 2 aircraft, one representing the distinctive silver and black B-52F used early in the conflict and the sinister SEA camouflage black belly B-52D.*

## Painting and finishing Minicraft model kits

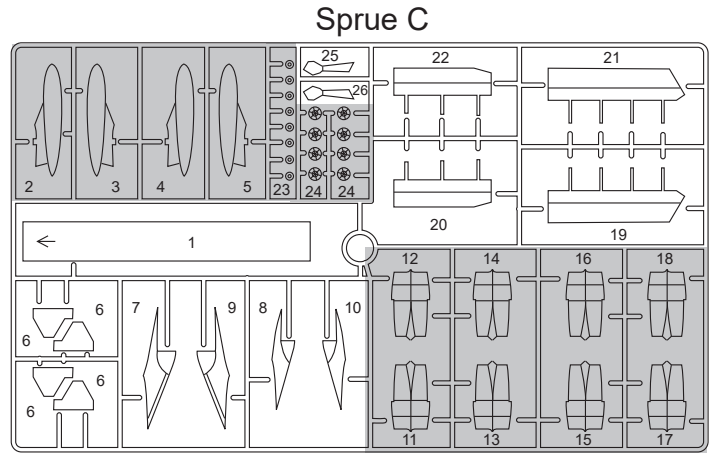
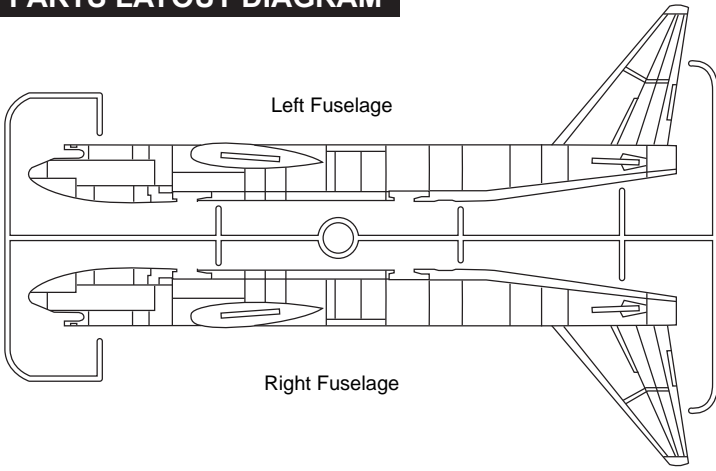
Techniques for painting and finishing your model vary depending on the preferences of each model builder. Commonly most painting is recommended before assembly. Small details are best painted before assembly. Details like car and airplane interiors MUST be painted before assembly. Modelers may choose to paint the model kit using model paint with a paintbrush, an aerosol spray can or an airbrush. Large areas of the model like a model car a body or model airplane wings and fuselage are best painted before assembly or as a partially assembled sub-assembly. Use of an aerosol can or airbrush is recommended. Models can be painted after assembly but clear parts and some details will need to be masked to keep clear parts clear and preserve pre-painted details.

## Decal Application:

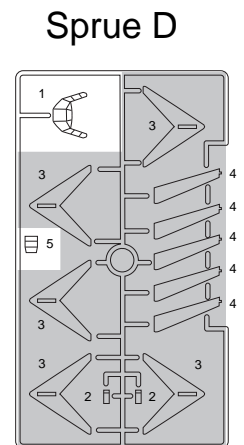
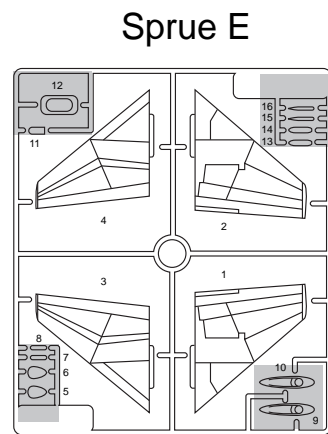
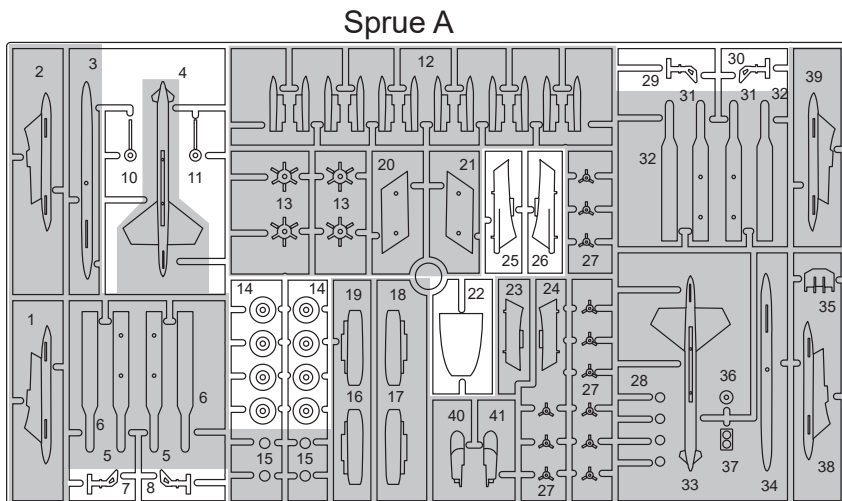
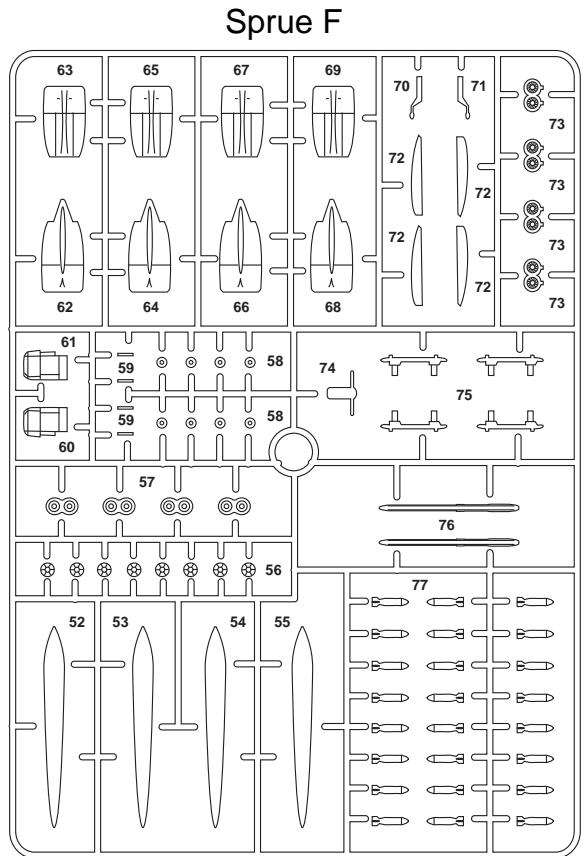
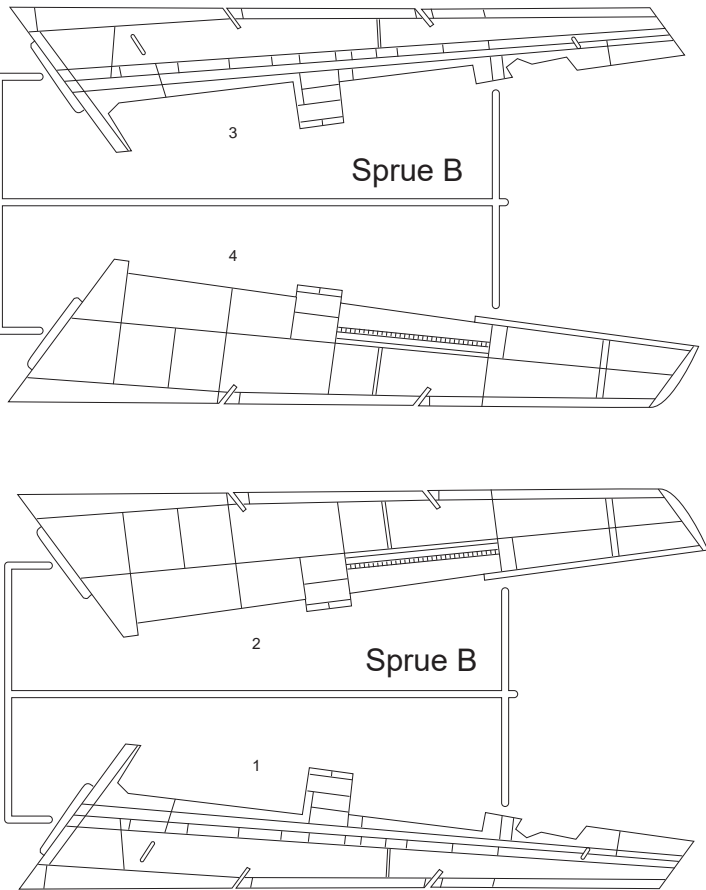
Your Minicraft model includes high-quality waterslide decals. These decals adhere best to a glossy surface. Use a sharp scissors or knife to cut individual decals from the carrier sheet. Do not cut into the clear film surrounding the individual decals. It is recommended that you apply one decal at a time. Place the decal section in warm water, when first inserted in the water your decal will curl, after approximately ten seconds the decal will uncurl. Remove from water and lay on a paper towel. After approximately 10 - 20 seconds the decal will slide freely from the backing paper. Use a small brush to help slide the decal from the backing paper and into position on the model. Carefully blot excess water from the decal, using care not to move the decal or tear it. If you choose to use a setting solution, apply a thin coat over the decal following the manufacturer's instruction. Allow the decal to dry overnight. Wash any adhesive residue off the model with a small wet towel.

**Minicraft Models (US) LLC 2136 12th St. Rockford, IL. 61104 Printed in China**  
**[www.minicraftmodels.com](http://www.minicraftmodels.com)**

# PARTS LAYOUT DIAGRAM



**NOTE** Parts shown in Gray are not for use



Your MINICRAFT B-52 may be assembled with various options, such as retracted or extended landing gear, retracted or extended flaps, and various armament options. Please review the assembly steps to become familiar with the parts before beginning assembly.



Cement



DO NOT Cement



Cut away



Optional parts



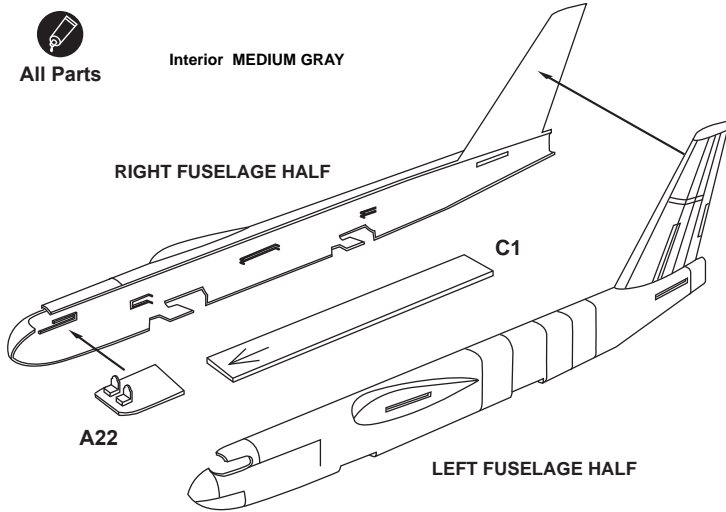
Multiple assemblies

**1**



All Parts

Interior MEDIUM GRAY

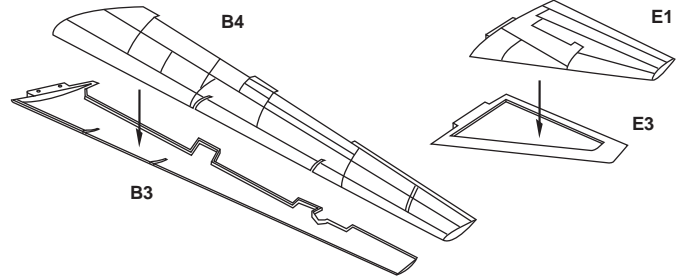


**2**

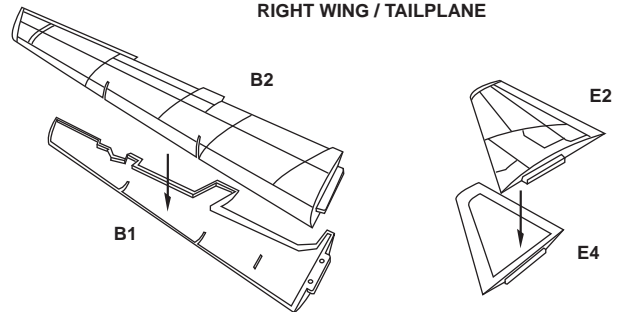


All Parts

LEFT WING / TAILPLANE



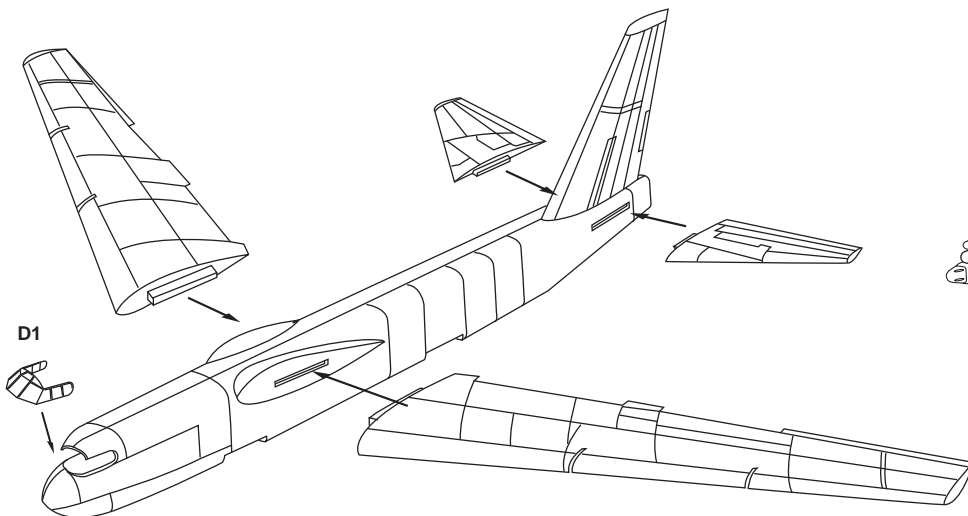
RIGHT WING / TAILPLANE



**3**



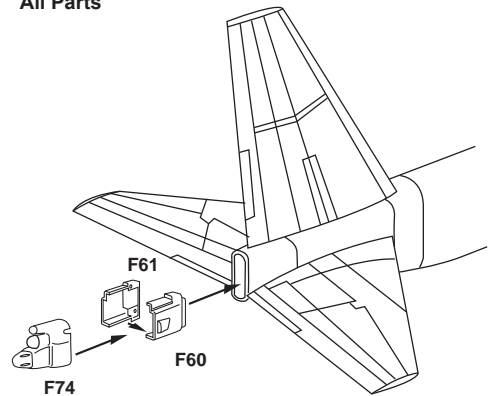
All Parts

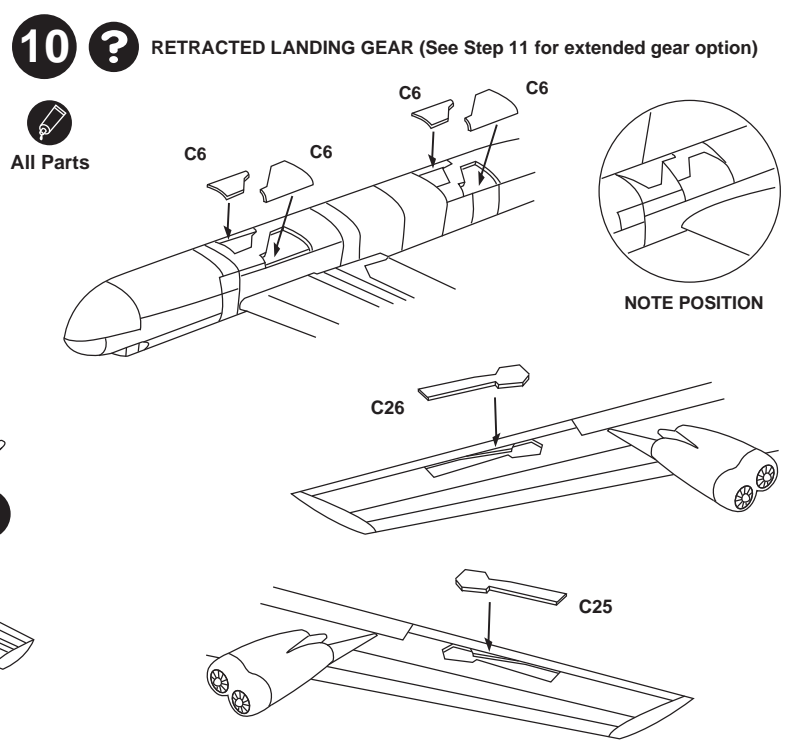
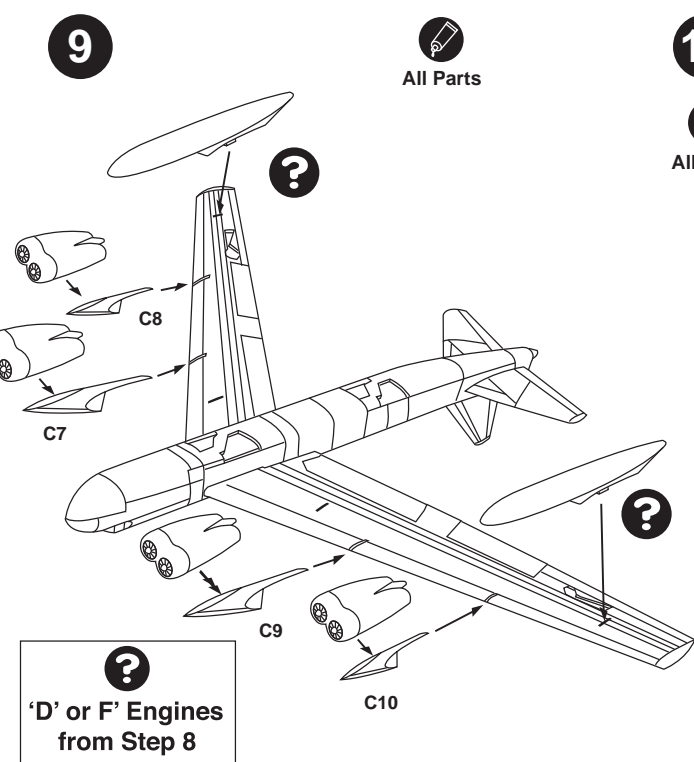
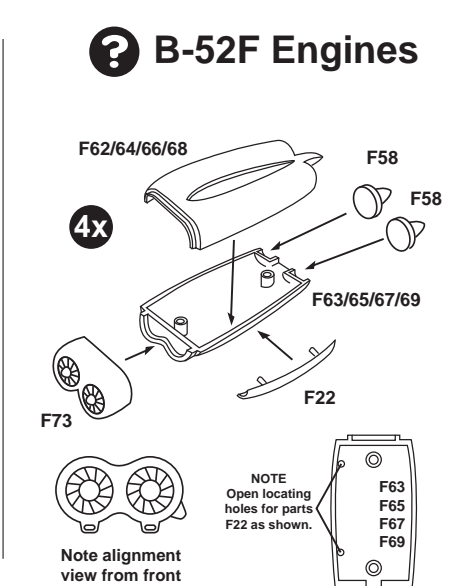
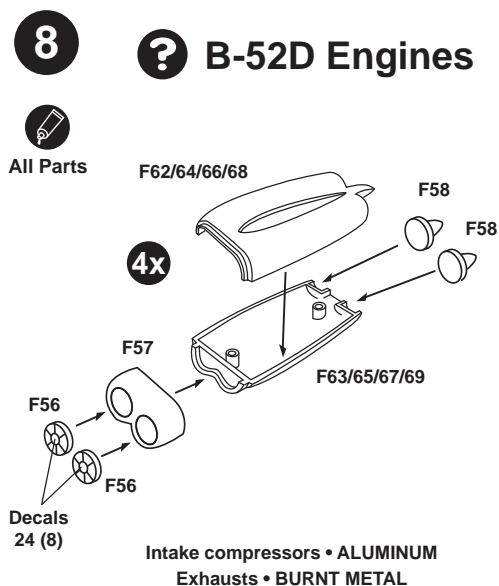
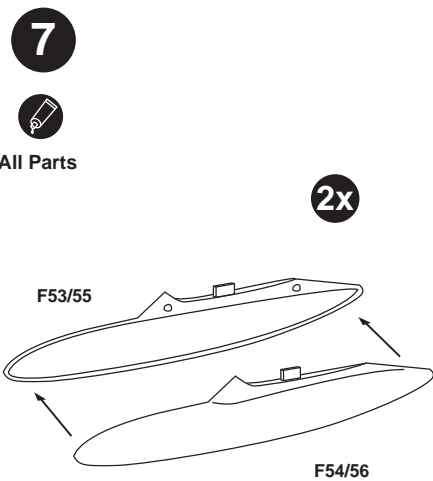
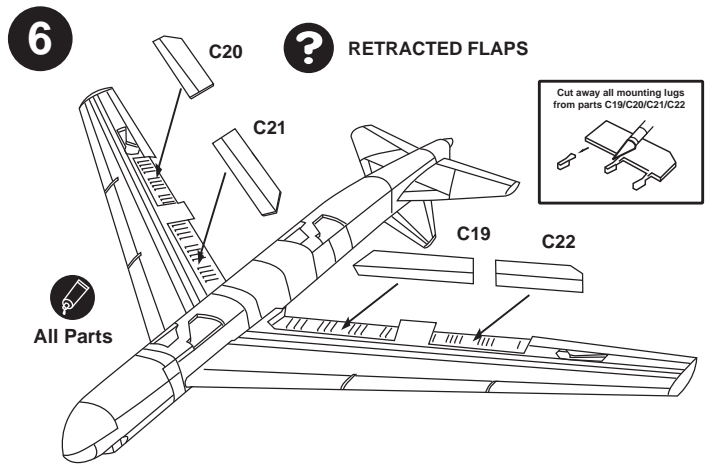
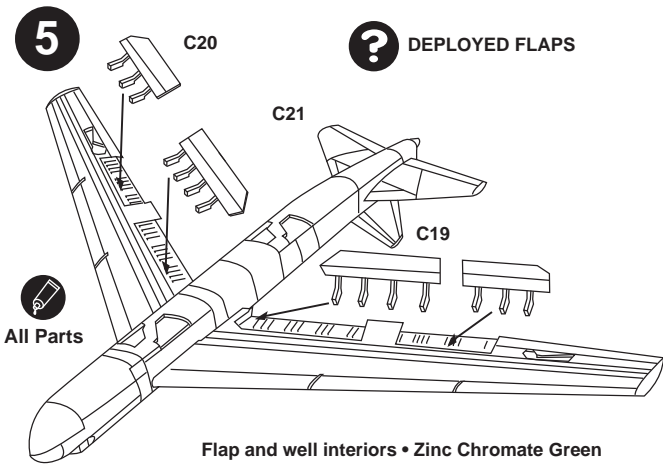


**4**



All Parts



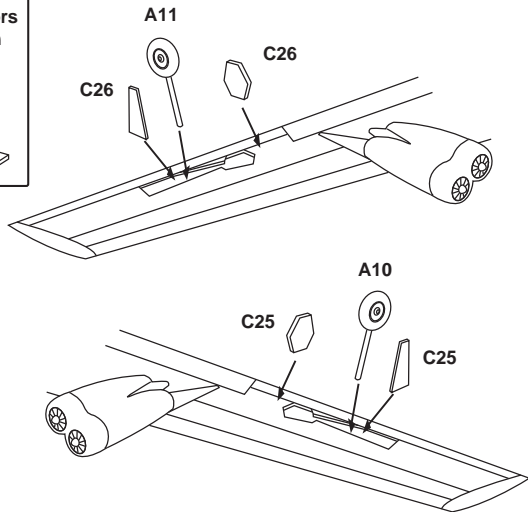
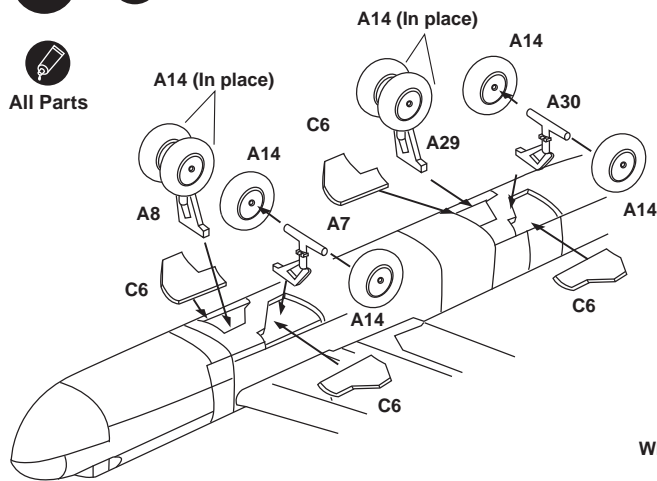


11



EXTENDED LANDING GEAR

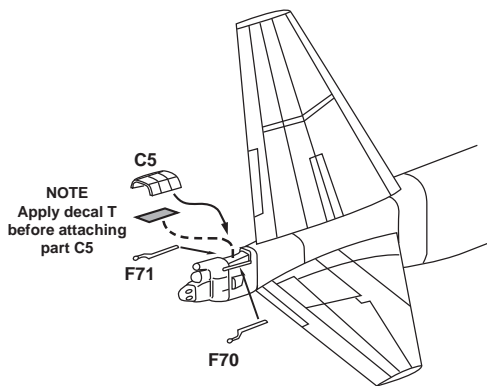
All Parts



Wheel hubs and struts ALUMINUM  
 Tires FLAT BLACK-GRAY  
 Door interiors CHROMATE GREEN or WHITE

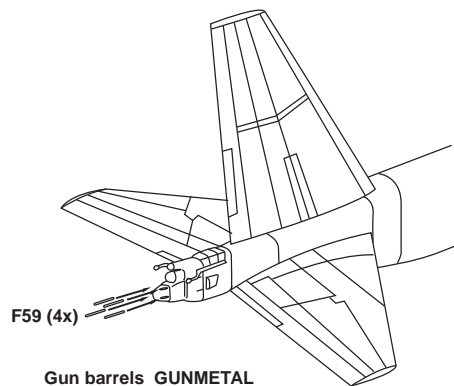
12

All Parts



13

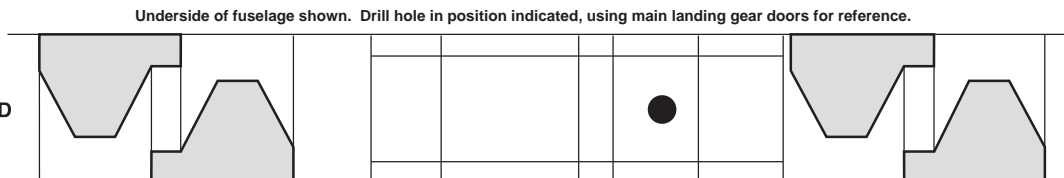
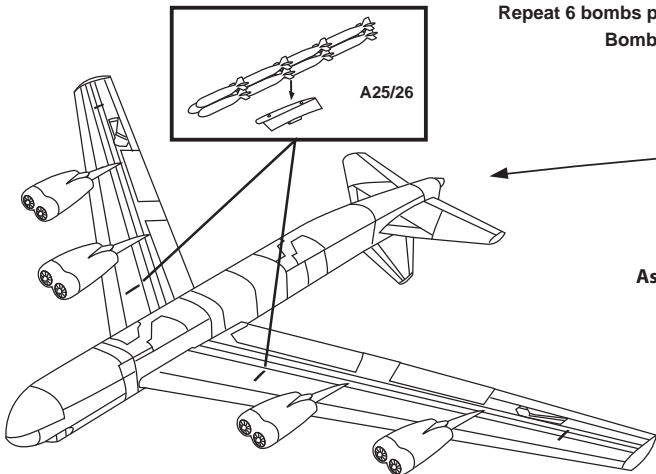
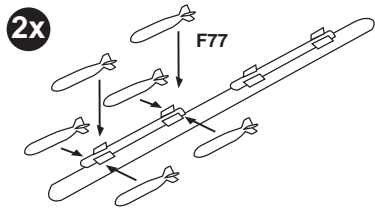
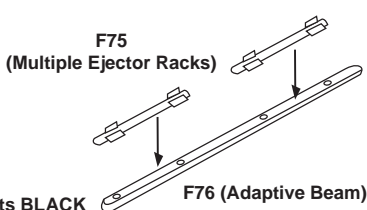
All Parts



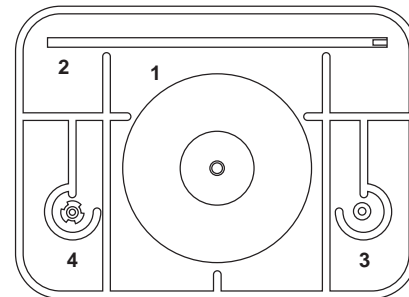
Gun barrels GUNMETAL

14

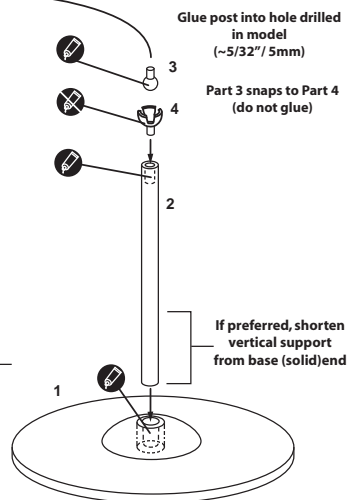
All Parts



Clear Display Stand



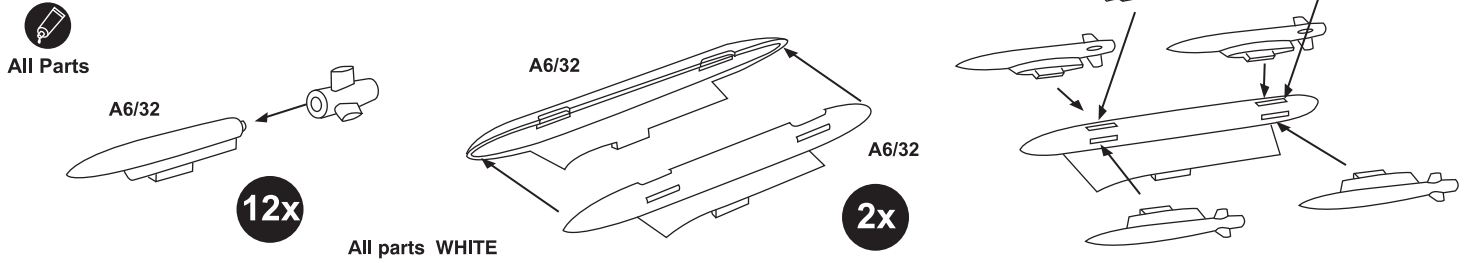
**ASSEMBLY NOTE**  
 Assemble stand, then place model on stand.  
 Adjust model to find a fore and aft  
 balance point, mark and drill hole.  
 See below.



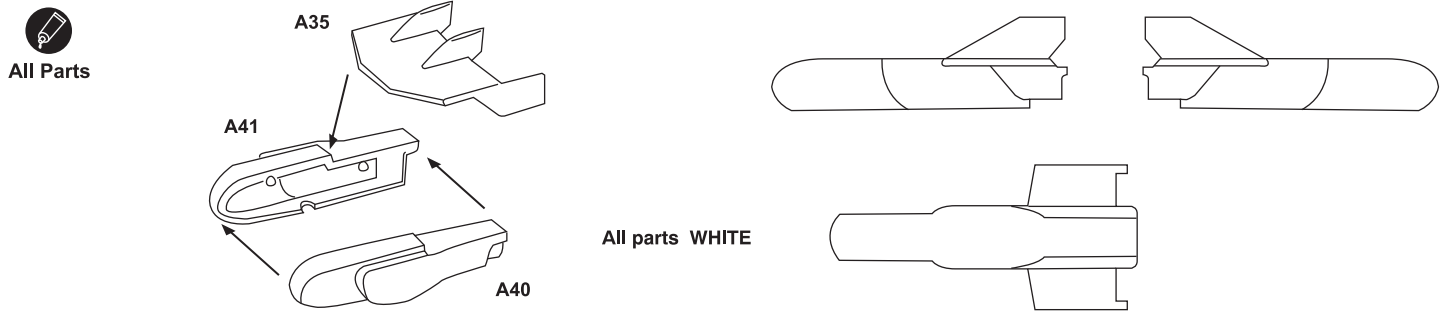
**NOTE: The following munitions were not used on B-52D or B-52F in Vietnam!**

Not for use on this build, but assembly steps are shown as they are included on sprue A.

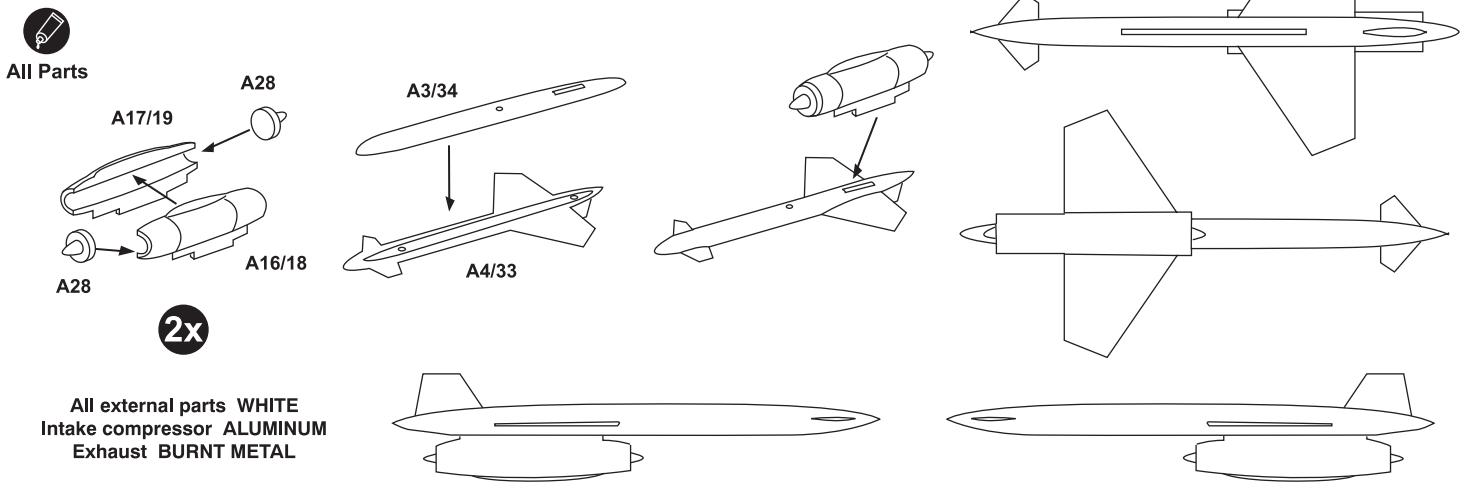
**? SRAM AGM-69 (SHORT RANGE AIR MISSILE)**



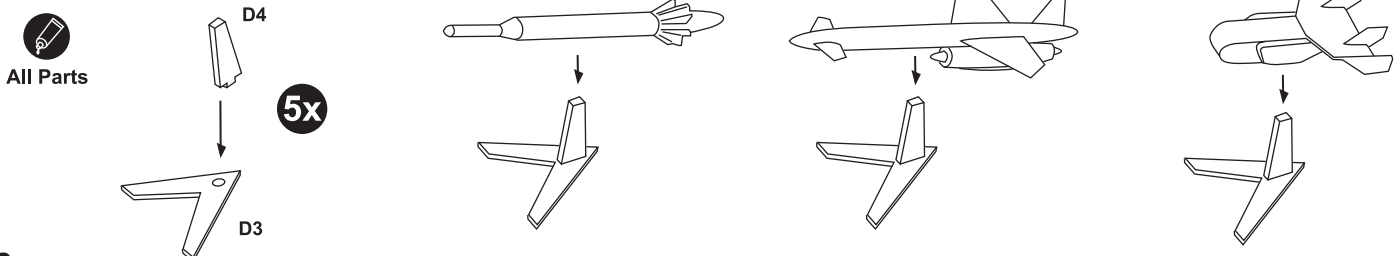
**? ADM-20 QUAIL (AERIAL DECOY) NOTE - Generally carried internally.**



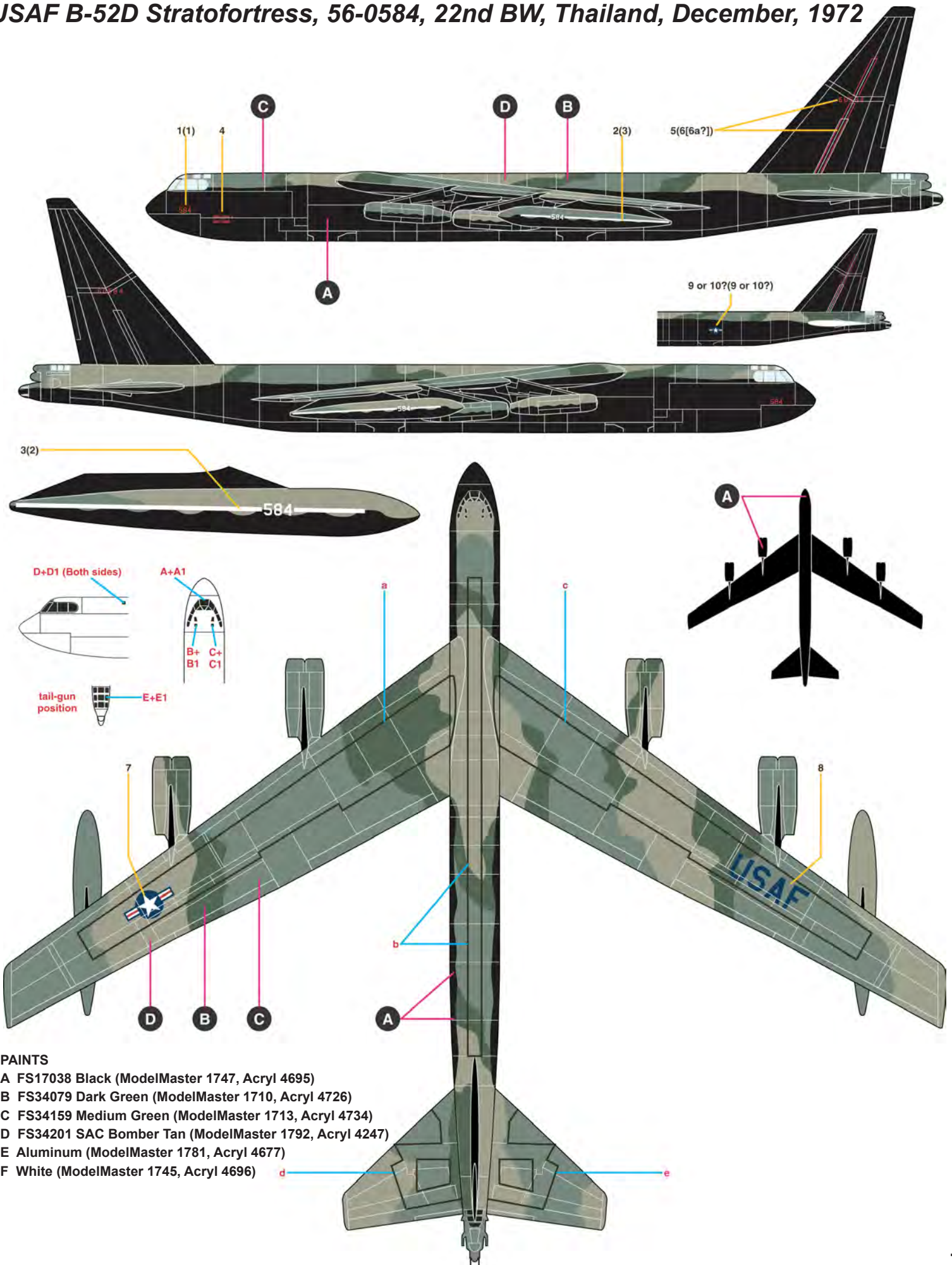
**? AGM-28 HOUND DOG (AIR LAUNCHED CRUISE MISSILE)**



**? STATIC DISPLAY STANDS (NOTE: No static stand is provided for SRAM AGM-69)**



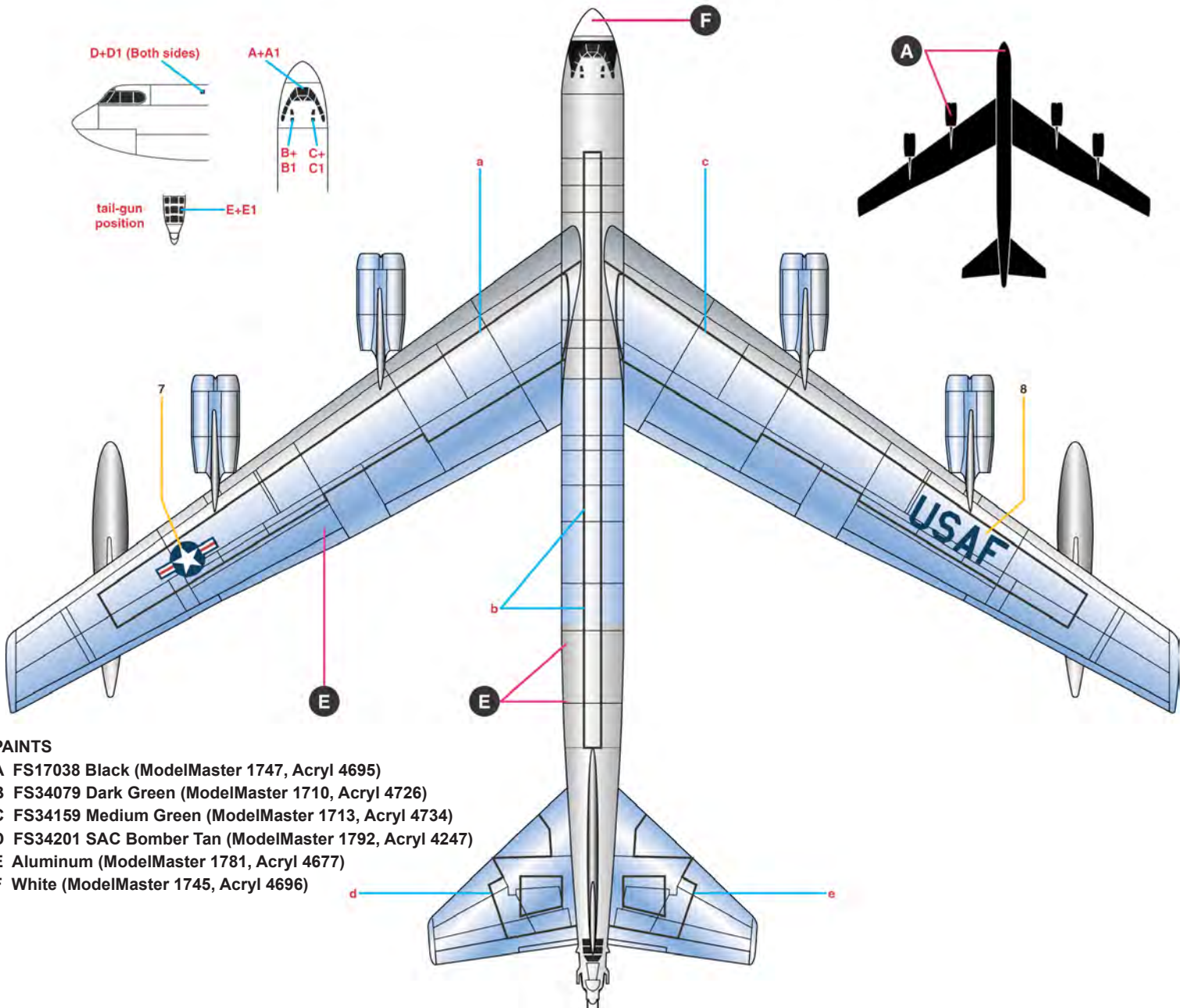
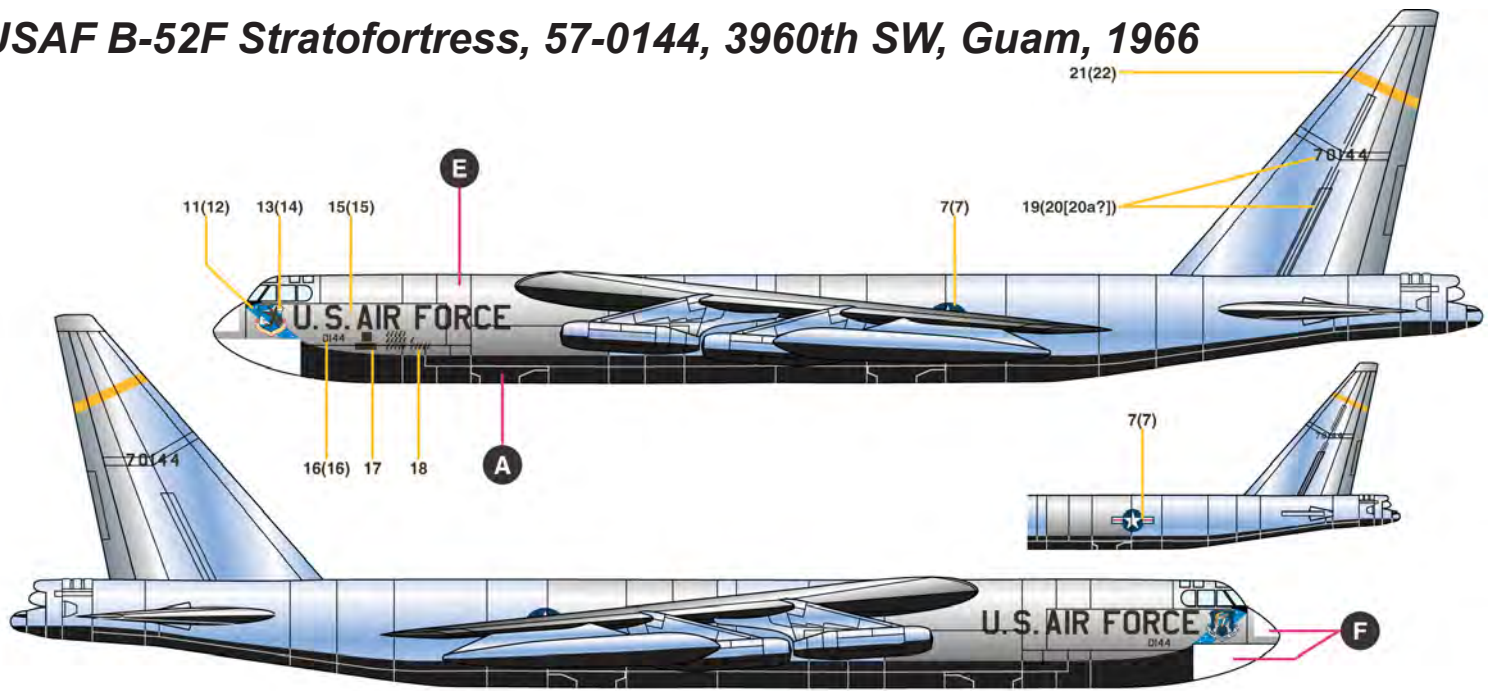
# USAF B-52D Stratofortress, 56-0584, 22nd BW, Thailand, December, 1972



## PAINTS

- A FS17038 Black (ModelMaster 1747, Acryl 4695)
- B FS34079 Dark Green (ModelMaster 1710, Acryl 4726)
- C FS34159 Medium Green (ModelMaster 1713, Acryl 4734)
- D FS34201 SAC Bomber Tan (ModelMaster 1792, Acryl 4247)
- E Aluminum (ModelMaster 1781, Acryl 4677)
- F White (ModelMaster 1745, Acryl 4696)

# USAF B-52F Stratofortress, 57-0144, 3960th SW, Guam, 1966



## PAINTS

- A FS17038 Black (ModelMaster 1747, Acryl 4695)
- B FS34079 Dark Green (ModelMaster 1710, Acryl 4726)
- C FS34159 Medium Green (ModelMaster 1713, Acryl 4734)
- D FS34201 SAC Bomber Tan (ModelMaster 1792, Acryl 4247)
- E Aluminum (ModelMaster 1781, Acryl 4677)
- F White (ModelMaster 1745, Acryl 4696)