

14727 Plastic Model Kit Skill Level 2



- Includes "NEW" Clear Parts
- Build "in flight" or on the ground
- 3 marking options
- Decals by Cartograf



**B-29 Superfortress™**  
Produced under license. Boeing, B-29 Superfortress  
distinctive Boeing logos, product markings and  
trade dress are trademarks of The Boeing Company.

# 1/144 Boeing B-29A Superfortress™

The B-29A was employed as a long-range heavy bomber to attack the Japanese mainland from distant bases in China and the Pacific islands. The B-29A was the first aircraft to deliver an atomic bomb in 1945 and served the United States Army Air Force and the United States Air Force well into the 1950's. This new Minicraft B-29A features improved fuselage and clear parts to enhance the nose and cockpit of this Minicraft favorite. The new kit includes new high quality decals printed by Cartograf with 3 marking options including Enola Gay which dropped the first atomic weapon in 1945. This new kit features quality Cartograf decals and new markings for 3 aircraft.

## Painting and finishing Minicraft model kits

Techniques for painting and finishing your model vary depending on the preferences of each model builder. Commonly most painting is recommended before assembly. Small details are best painted before assembly. Details like car and airplane interiors **MUST** be painted before assembly. Modelers may choose to paint the model kit using model paint with a paintbrush, an aerosol spray can or an airbrush. Large areas of the model like a model car a body or model airplane wings and fuselage are best painted before assembly or as a partially assembled sub-assembly. Use of an aerosol can or airbrush is recommended. Models can be painted after assembly but clear parts and some details will need to be masked to keep clear parts clear and preserve pre-painted details.

## Decal Application:

Your Minicraft model includes high-quality waterslide decals. These decals adhere best to a glossy surface. Use a sharp scissors or knife to cut individual decals from the carrier sheet. Do not cut into the clear film surrounding the individual decals. It is recommended that you apply one decal at a time. Place the decal section in warm water, when first inserted in the water your decal will curl, after approximately ten seconds the decal will uncurl. Remove from water and lay on a paper towel. After approximately 10 - 20 seconds the decal will slide freely from the backing paper. Use a small brush to help slide the decal from the backing paper and into position on the model. Carefully blot excess water from the decal, using care not to move the decal or tear it. If you choose to use a setting solution, apply a thin coat over the decal following the manufacturer's instruction. Allow the decal to dry overnight. Wash any adhesive residue off the model with a small wet towel.

**Minicraft Models (US) LLC 2136 12th St. Rockford, IL. 61104 Printed in China**  
**[www.minicraftmodels.com](http://www.minicraftmodels.com)**

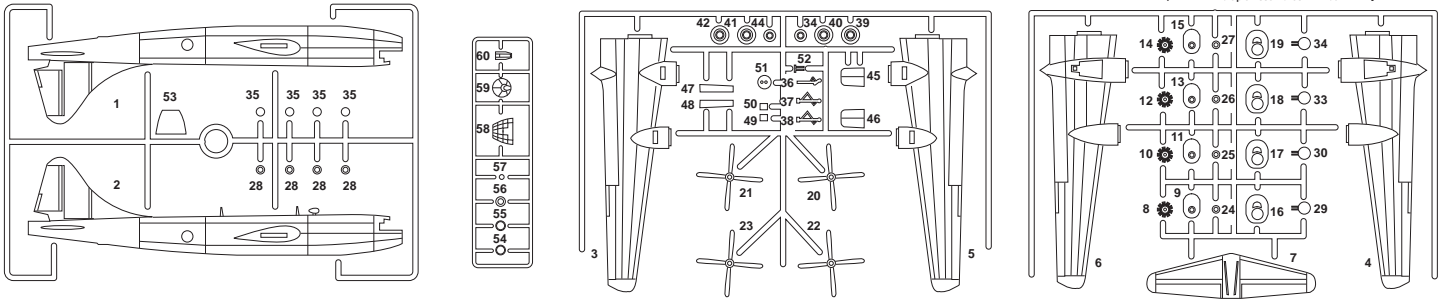
# 1/144 Scale B-29 Superfortress

14727

Your MINICRAFT B-29 may be assembled with various options, such as 'in-flight' features as retracted landing gear and 'spinning' propeller. Parts are also provided for a 'stationary' or 'ground' version with extended landing gear. Please review the assembly steps to become familiar with the parts before beginning assembly.

## PARTS LAYOUT DIAGRAM

**NOTE** - Aircraft used for training and operational atomic bomb missions had all turrets and sighting blisters removed and faired over. Tail guns were carried.



**1** **?** **4X** 29/30/33/34

Omit strut 36 and nose weight for 'in-flight' version

**2** **?** **4X** 35 **Finished Assembly**

Cockpit Interior **FLAT BLACK**  
Gun Barrels **GUNMETAL**  
Nosewheel strut **ALUMINUM**

**?** **4X** 55 56

**?** **4X** 54

**?** **4X** 36

**?** **4X** 7

**?** **4X** 1

**?** **4X** 53

**?** **4X** 28 28 28 28

**?** **4X** 58

**?** **4X** 57

**?** **4X** 56

**?** **4X** 55

**?** **4X** 54

**?** **4X** 53

**?** **4X** 35

**?** **4X** 36

**?** **4X** 7

**?** **4X** 1

**?** **4X** 53

**?** **4X** 28 28 28 28

**?** **4X** 58

**?** **4X** 57

**?** **4X** 56

**?** **4X** 55

**?** **4X** 54

**?** **4X** 53

**?** **4X** 35

**?** **4X** 36

**?** **4X** 7

**?** **4X** 1

**?** **4X** 53

**?** **4X** 28 28 28 28

**?** **4X** 58

**?** **4X** 57

**?** **4X** 56

**?** **4X** 55

**?** **4X** 54

**?** **4X** 53

**?** **4X** 35

**?** **4X** 36

**?** **4X** 7

**?** **4X** 1

**?** **4X** 53

**?** **4X** 28 28 28 28

**?** **4X** 58

**?** **4X** 57

**?** **4X** 56

**?** **4X** 55

**?** **4X** 54

**?** **4X** 53

**?** **4X** 35

**?** **4X** 36

**?** **4X** 7

**?** **4X** 1

**?** **4X** 53

**?** **4X** 28 28 28 28

**?** **4X** 58

**?** **4X** 57

**?** **4X** 56

**?** **4X** 55

**?** **4X** 54

**?** **4X** 53

**?** **4X** 35

**?** **4X** 36

**?** **4X** 7

**?** **4X** 1

**?** **4X** 53

**?** **4X** 28 28 28 28

**?** **4X** 58

**?** **4X** 57

**?** **4X** 56

**?** **4X** 55

**?** **4X** 54

**?** **4X** 53

**?** **4X** 35

**?** **4X** 36

**?** **4X** 7

**?** **4X** 1

**?** **4X** 53

**?** **4X** 28 28 28 28

**?** **4X** 58

**?** **4X** 57

**?** **4X** 56

**?** **4X** 55

**?** **4X** 54

**?** **4X** 53

**?** **4X** 35

**?** **4X** 36

**?** **4X** 7

**?** **4X** 1

**?** **4X** 53

**?** **4X** 28 28 28 28

**?** **4X** 58

**?** **4X** 57

**?** **4X** 56

**?** **4X** 55

**?** **4X** 54

**?** **4X** 53

**?** **4X** 35

**?** **4X** 36

**?** **4X** 7

**?** **4X** 1

**?** **4X** 53

**?** **4X** 28 28 28 28

**?** **4X** 58

**?** **4X** 57

**?** **4X** 56

**?** **4X** 55

**?** **4X** 54

**?** **4X** 53

**?** **4X** 35

**?** **4X** 36

**?** **4X** 7

**?** **4X** 1

**?** **4X** 53

**?** **4X** 28 28 28 28

**?** **4X** 58

**?** **4X** 57

**?** **4X** 56

**?** **4X** 55

**?** **4X** 54

**?** **4X** 53

**?** **4X** 35

**?** **4X** 36

**?** **4X** 7

**?** **4X** 1

**?** **4X** 53

**?** **4X** 28 28 28 28

**?** **4X** 58

**?** **4X** 57

**?** **4X** 56

**?** **4X** 55

**?** **4X** 54

**?** **4X** 53

**?** **4X** 35

**?** **4X** 36

**?** **4X** 7

**?** **4X** 1

**?** **4X** 53

**?** **4X** 28 28 28 28

**?** **4X** 58

**?** **4X** 57

**?** **4X** 56

**?** **4X** 55

**?** **4X** 54

**?** **4X** 53

**?** **4X** 35

**?** **4X** 36

**?** **4X** 7

**?** **4X** 1

**?** **4X** 53

**?** **4X** 28 28 28 28

**?** **4X** 58

**?** **4X** 57

**?** **4X** 56

**?** **4X** 55

**?** **4X** 54

**?** **4X** 53

**?** **4X** 35

**?** **4X** 36

**?** **4X** 7

**?** **4X** 1

**?** **4X** 53

**?** **4X** 28 28 28 28

**?** **4X** 58

**?** **4X** 57

**?** **4X** 56

**?** **4X** 55

**?** **4X** 54

**?** **4X** 53

**?** **4X** 35

**?** **4X** 36

**?** **4X** 7

**?** **4X** 1

**?** **4X** 53

**?** **4X** 28 28 28 28

**?** **4X** 58

**?** **4X** 57

**?** **4X** 56

**?** **4X** 55

**?** **4X** 54

**?** **4X** 53

**?** **4X** 35

**?** **4X** 36

**?** **4X** 7

**?** **4X** 1

**?** **4X** 53

**?** **4X** 28 28 28 28

**?** **4X** 58

**?** **4X** 57

**?** **4X** 56

**?** **4X** 55

**?** **4X** 54

**?** **4X** 53

**?** **4X** 35

**?** **4X** 36

**?** **4X** 7

**?** **4X** 1

**?** **4X** 53

**?** **4X** 28 28 28 28

**?** **4X** 58

**?** **4X** 57

**?** **4X** 56

**?** **4X** 55

**?** **4X** 54

**?** **4X** 53

**?** **4X** 35

**?** **4X** 36

**?** **4X** 7

**?** **4X** 1

**?** **4X** 53

**?** **4X** 28 28 28 28

**?** **4X** 58

**?** **4X** 57

**?** **4X** 56

**?** **4X** 55

**?** **4X** 54

**?** **4X** 53

**?** **4X** 35

**?** **4X** 36

**?** **4X** 7

**?** **4X** 1

**?** **4X** 53

**?** **4X** 28 28 28 28

**?** **4X** 58

**?** **4X** 57

**?** **4X** 56

**?** **4X** 55

**?** **4X** 54

**?** **4X** 53

**?** **4X** 35

**?** **4X** 36

**?** **4X** 7

**?** **4X** 1

**?** **4X** 53

**?** **4X** 28 28 28 28

**?** **4X** 58

**?** **4X** 57

**?** **4X** 56

**?** **4X** 55

**?** **4X** 54

**?** **4X** 53

**?** **4X** 35

**?** **4X** 36

**?** **4X** 7

**?** **4X** 1

**?** **4X** 53

**?** **4X** 28 28 28 28

**?** **4X** 58

**?** **4X** 57

**?** **4X** 56

**?** **4X** 55

**?** **4X** 54

**?** **4X** 53

**?** **4X** 35

**?** **4X** 36

**?** **4X** 7

**?** **4X** 1

**?** **4X** 53

**?** **4X** 28 28 28 28

**?** **4X** 58

**?** **4X** 57

**?** **4X** 56

**?** **4X** 55

**?** **4X** 54

**?** **4X** 53

**?** **4X** 35

**?** **4X** 36

**?** **4X** 7

**?** **4X** 1

**?** **4X** 53

**?** **4X** 28 28 28 28

**?** **4X** 58

**?** **4X** 57

**?** **4X** 56

**?** **4X** 55

**?** **4X** 54

**?** **4X** 53

**?** **4X** 35

**?** **4X** 36

**?** **4X** 7

**?** **4X** 1

**?** **4X** 53

**?** **4X** 28 28 28 28

**?** **4X** 58

**?** **4X** 57

**?** **4X** 56

**?** **4X** 55

**?** **4X** 54

**?** **4X** 53

**?** **4X** 35

**?** **4X** 36

**?** **4X** 7

**?** **4X** 1

**?** **4X** 53

**?** **4X** 28 28 28 28

**?** **4X** 58

**?** **4X** 57

**?** **4X** 56

**?** **4X** 55

**?** **4X** 54

**?** **4X** 53

**?** **4X** 35

**?** **4X** 36

**?** **4X** 7

**?** **4X** 1

**?** **4X** 53

**?** **4X** 28 28 28 28

**?** **4X** 58

**?** **4X** 57

**?** **4X** 56

**?** **4X** 55

**?** **4X** 54

**?** **4X** 53

**?** **4X** 35

**?** **4X** 36

**?** **4X** 7

**?** **4X** 1

**?** **4X** 53

**?** **4X** 28 28 28 28

**?** **4X** 58

**?** **4X** 57

**?** **4X** 56

**?** **4X** 55

**?** **4X** 54

**?** **4X** 53

**?** **4X** 35

**?** **4X** 36

**?** **4X** 7

**?** **4X** 1

**?** **4X** 53

**?** **4X** 28 28 28 28

**?** **4X** 58

**?** **4X** 57

**?** **4X** 56

**?** **4X** 55

**?** **4X** 54

**?** **4X** 53

**?** **4X** 35

**?** **4X** 36

**?** **4X** 7

**?** **4X** 1

**?** **4X** 53

**?** **4X** 28 28 28 28

**?** **4X** 58

**?** **4X** 57

**?** **4X** 56

**?** **4X** 55

**?** **4X** 54

**?** **4X** 53

**?** **4X** 35

**?** **4X** 36

**?** **4X** 7

**?** **4X** 1

**?** **4X** 53

**?** **4X** 28 28 28 28

**?** **4X** 58

**?** **4X** 57

**?** **4X** 56

**?** **4X** 55

**?** **4X** 54

**?** **4X** 53

**?** **4X** 35

**?** **4X** 36

**?** **4X** 7

**?** **4X** 1

**?** **4X** 53

**?** **4X** 28 28 28 28

**?** **4X** 58

**?** **4X** 57

**?** **4X** 56

**?** **4X** 55

**?** **4X** 54

**?** **4X** 53

**?** **4X** 35

**?** **4X** 36

**?** **4X** 7

**?** **4X** 1

**?** **4X** 53

**?** **4X** 28 28 28 28

**?** **4X** 58

**?** **4X** 57

**?** **4X** 56

**?** **4X** 55

**?** **4X** 54

**?** **4X** 53

**?** **4X** 35

**?** **4X** 36

**?** **4X** 7

**?** **4X** 1

**?** **4X** 53

**?** **4X** 28 28 28 28

**?** **4X** 58

**?** **4X** 57

**?** **4X** 56

**?** **4X** 55

**?** **4X** 54

**?** **4X** 53

**?** **4X** 35

**?** **4X** 36

**?** **4X** 7

**?** **4X** 1

**?** **4X** 53

**?** **4X** 28 28 28 28

**?** **4X** 58

**?** **4X** 57

**?** **4X** 56

**?** **4X** 55

**?** **4X** 54

**?** **4X** 53

**?** **4X** 35

**?** **4X** 36

**?** **4X** 7

**?** **4X** 1

**?** **4X** 53

**?** **4X** 28 28 28 28

**?** **4X** 58

**?** **4X** 57

**?** **4X** 56

**?** **4X** 55

**?** **4X** 54

**?** **4X** 53

**?** **4X** 35

**?** **4X** 36

**?** **4X** 7

**?** **4X** 1

**?** **4X** 53

**?** **4X** 28 28 28 28

**?** **4X** 58

**?** **4X** 57

**?** **4X** 56

**?** **4X** 55

**?** **4X** 54

**?** **4X** 53

**?** **4X** 35

**?** **4X** 36

**?** **4X** 7

**?** **4X** 1

**?** **4X** 53

**?** **4X** 28 28 28 28

**?** **4X** 58

**?** **4X** 57

**?** **4X** 56

**?** **4X** 55

**?** **4X** 54

**?** **4X** 53

**?** **4X** 35

**?** **4X** 36

**?** **4X** 7

**?** **4X** 1

**?** **4X** 53

**?** **4X** 28 28 28 28

**?** **4X** 58

**?** **4X** 57

**?** **4X** 56

**?** **4X** 55

**?** **4X** 54

**?** **4X** 53

**?** **4X** 35

**?** **4X** 36

**?** **4X** 7

**?** **4X** 1

**?** **4X** 53

**?** **4X** 28 28 28 28

**?** **4X** 58

**?** **4X** 57

**?** **4X** 56

**?** **4X** 55

**?** **4X** 54

**?** **4X** 53

**?** **4X** 35

**?** **4X** 36

**?** **4X** 7

**?** **4X** 1

**?** **4X** 53

**?** **4X** 28 28 28 28

**?** **4X** 58

**?** **4X** 57

**?** **4X** 56

**?** **4X** 55

**?** **4X** 54

**?** **4X** 53

**?** **4X** 35

**?** **4X** 36

**?** **4X** 7

**?** **4X** 1

**?** **4X** 53

**?** **4X** 28 28 28 28

**?** **4X** 58

**?** **4X** 57

**?** **4X** 56

**?** **4X** 55

**?** **4X** 54

**?** **4X** 53

**?** **4X** 35

**?** **4X** 36

**?** **4X** 7

**?** **4X** 1

**?** **4X** 53

**?** **4X** 28 28 28 28

**?** **4X** 58

**?** **4X** 57

**?** **4X** 56

**?** **4X** 55

**?** **4X** 54

**?** **4X** 53

**?** **4X** 35

**?** **4X** 36

**?** **4X** 7

**?** **4X** 1

**?** **4X** 53

**?** **4X** 28 28 28 28

**?** **4X** 58

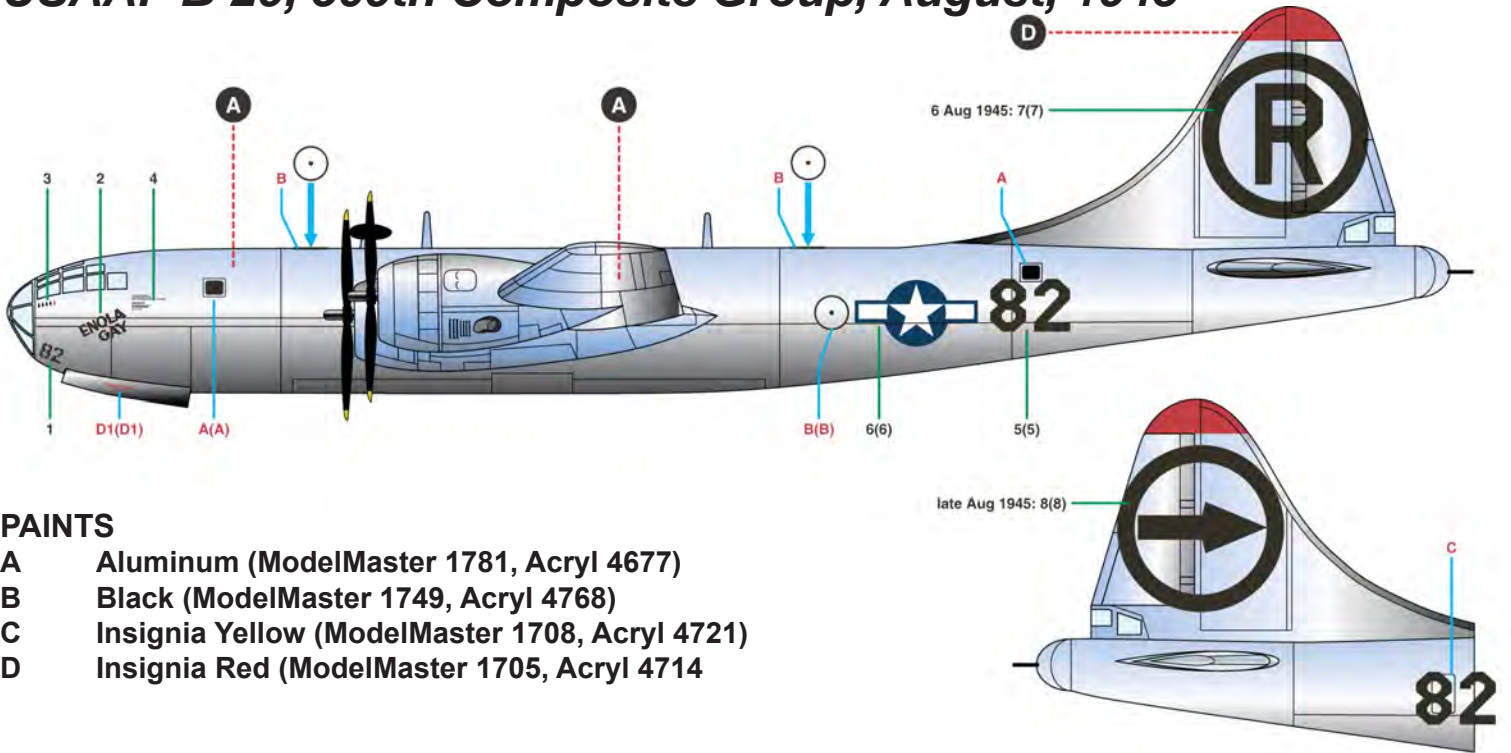
**?** **4X** 57

**?** **4X** 56

**?** **4X** 55

**?** **4X** 54</

# USAAF B-29, 509th Composite Group, August, 1945

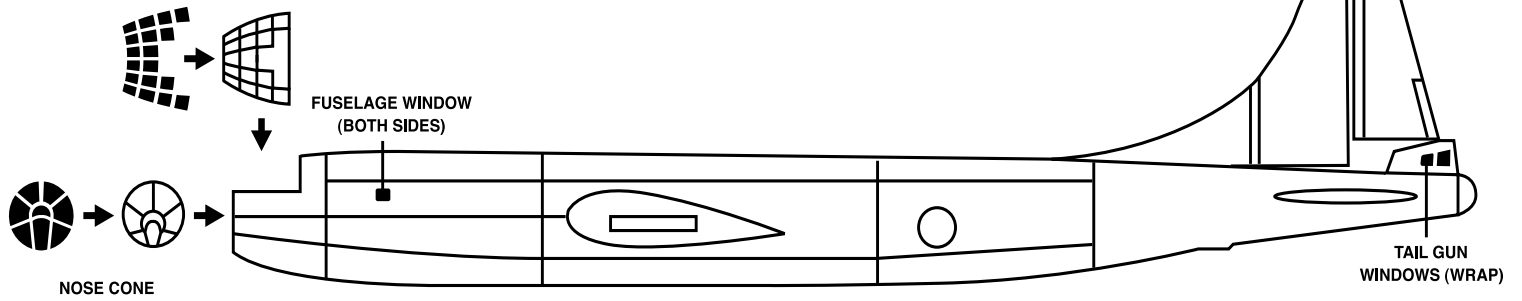


## PAINTS

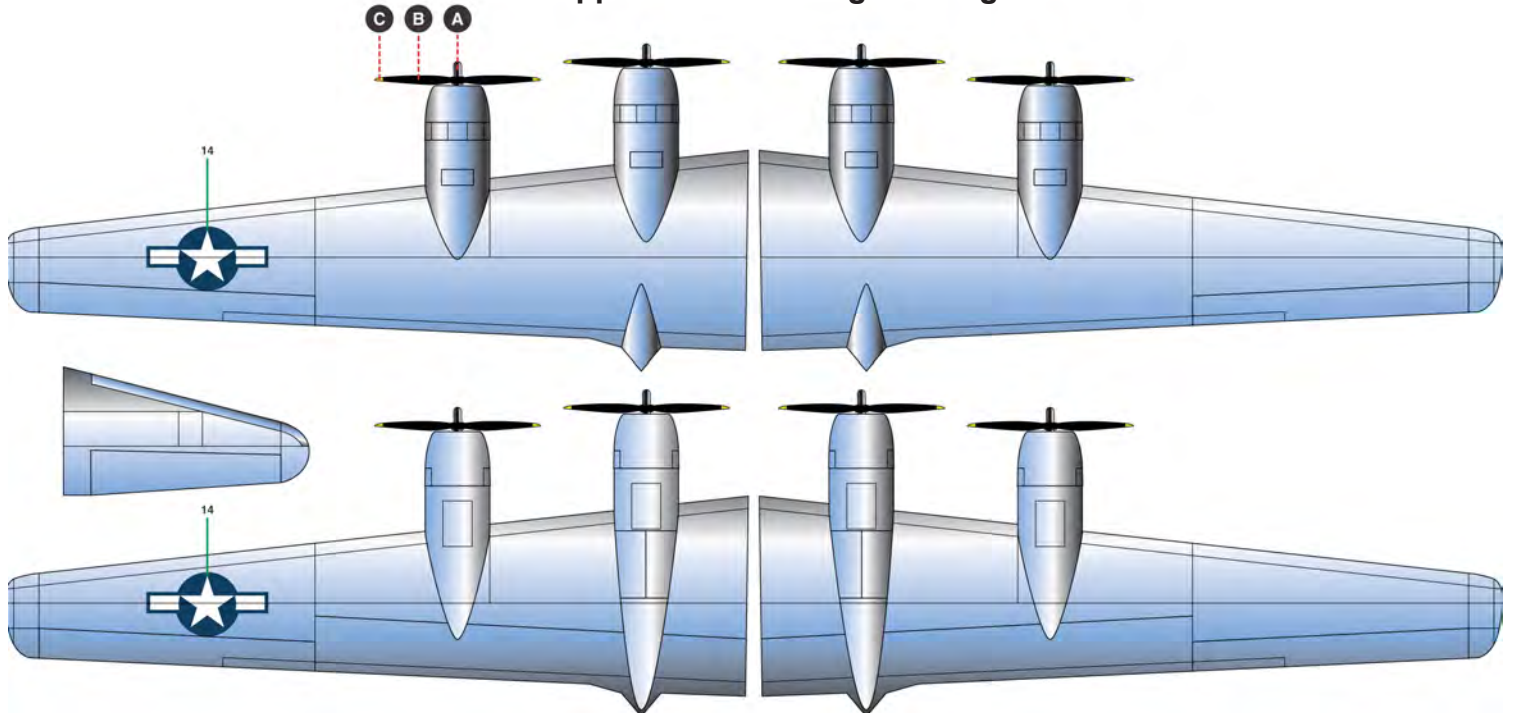
- A** Aluminum (ModelMaster 1781, Acryl 4677)
- B** Black (ModelMaster 1749, Acryl 4768)
- C** Insignia Yellow (ModelMaster 1708, Acryl 4721)
- D** Insignia Red (ModelMaster 1705, Acryl 4714)

## UPPER COCKPIT WINDOWS

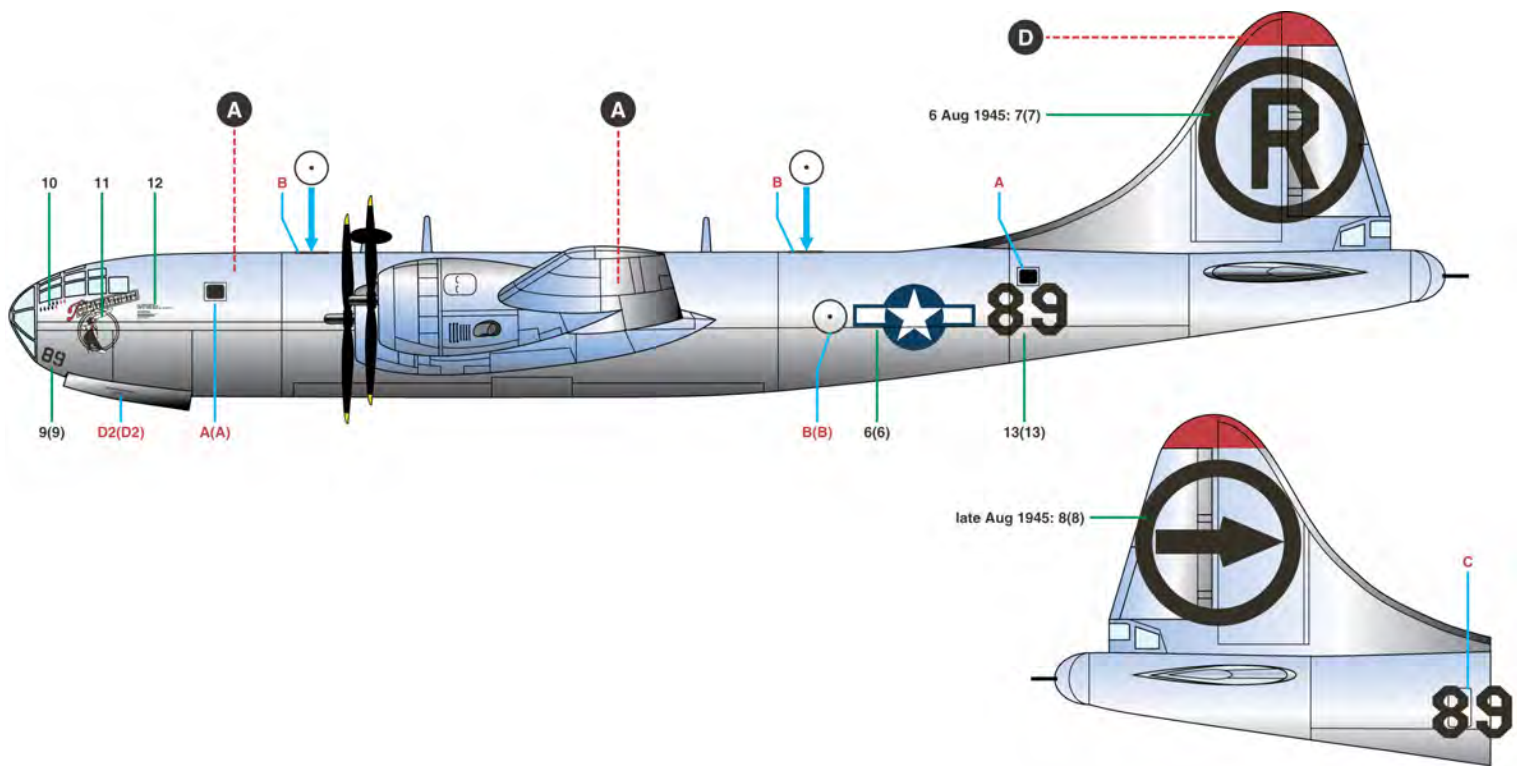
Window Decals are the same on all 3 Versions



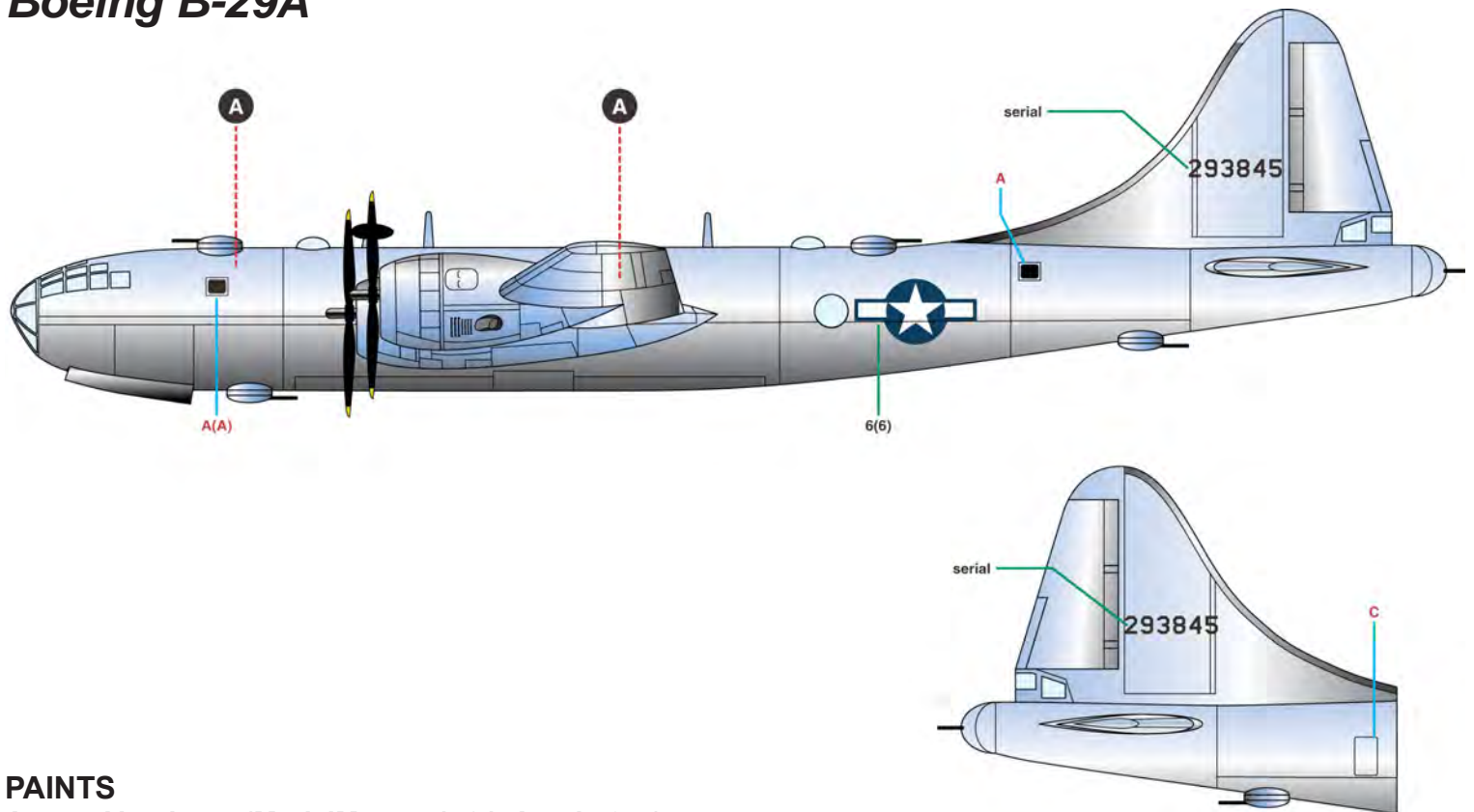
## Upper & Lower Wing Markings are the same on all 3 Versions



# USAAF B-29, 509th Composite Group, August, 1945



## Boeing B-29A



### PAINTS

- A Aluminum (ModelMaster 1781, Acryl 4677)
- B Black (ModelMaster 1749, Acryl 4768)
- C Insignia Yellow (ModelMaster 1708, Acryl 4721)
- D Insignia Red (ModelMaster 1705, Acryl 4714)