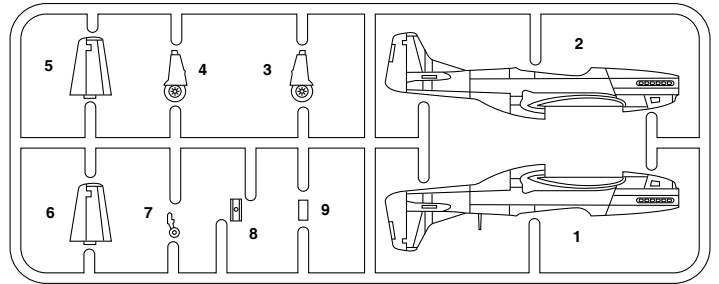
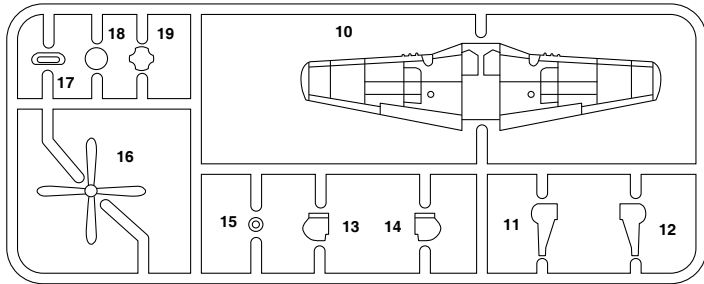
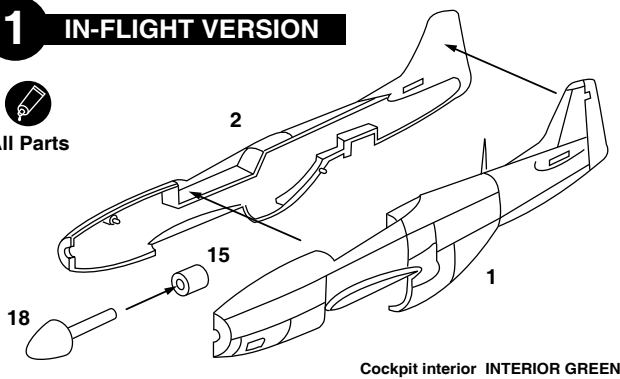


Your MINICRAFT P-51D may be assembled with various options, such as 'in-flight' features as retracted landing gear and 'spinning' propellers. Parts are also provided for a 'stationary' or 'ground' version with extended landing gear. Please review the assembly steps to become familiar with the parts before beginning assembly.

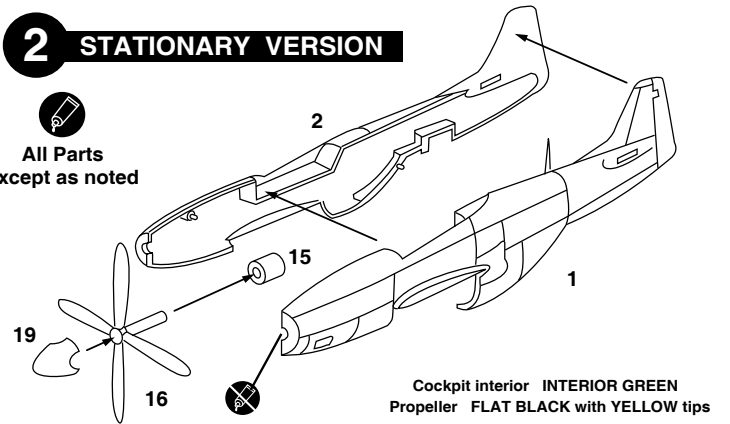
PARTS LAYOUT DIAGRAM



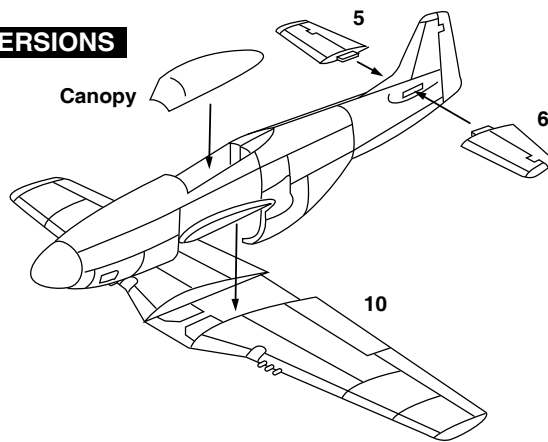
1 IN-FLIGHT VERSION



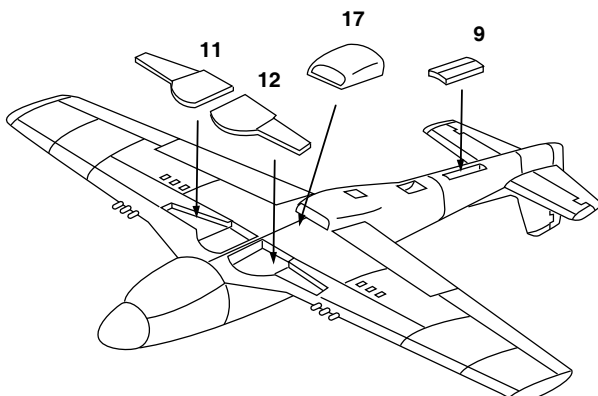
2 STATIONARY VERSION



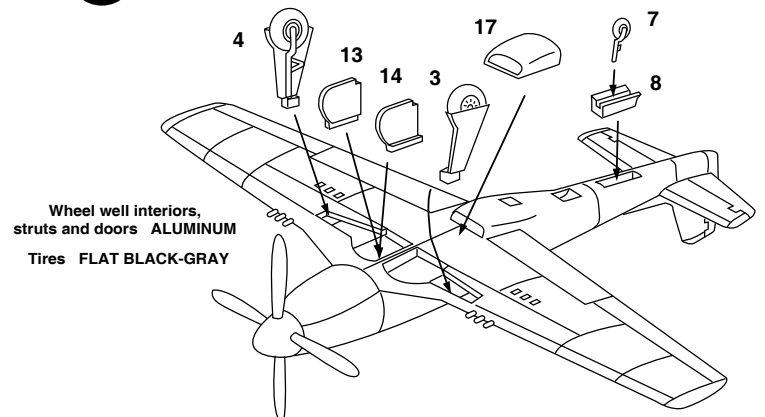
3 BOTH VERSIONS



4 IN-FLIGHT VERSION



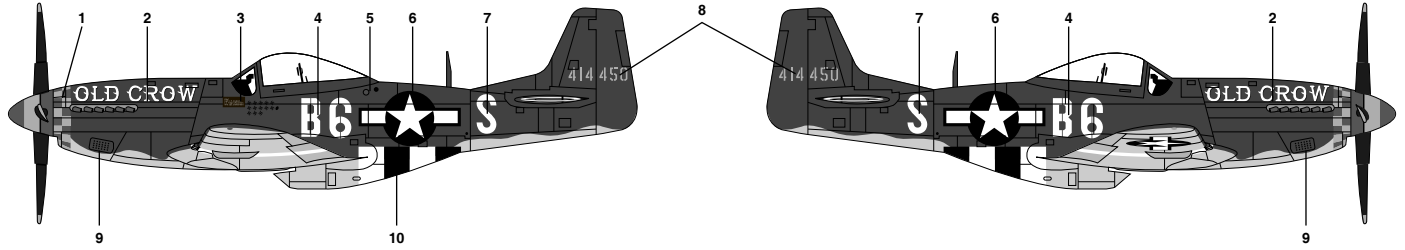
5 STATIONARY VERSION



PAINT & DECAL GUIDE

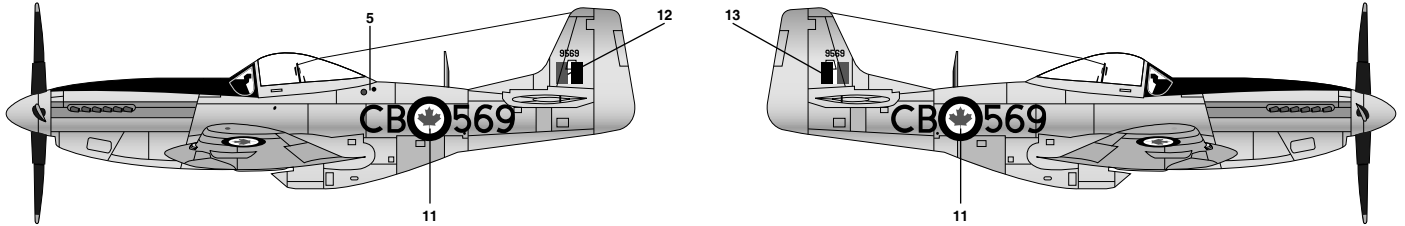
Aircraft 1 Capt. Clarence "Bud" Anderson, 357th FG, 1944

Olive Drab uppersurfaces, Medium Gray undersurfaces. Paint propeller spinner to match nose decal 1.



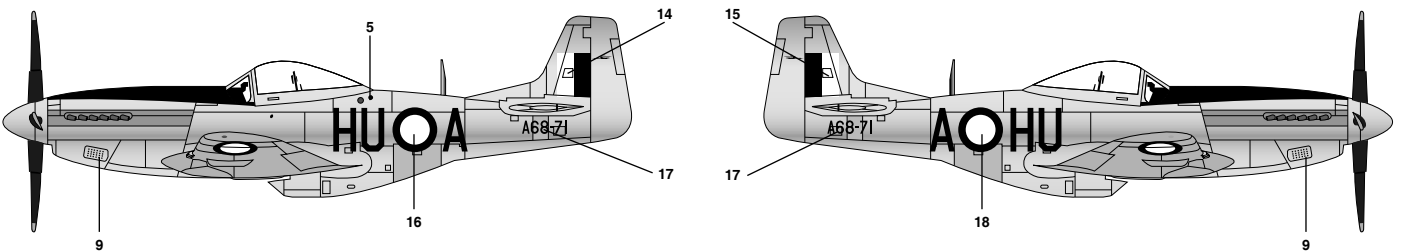
Aircraft 2 Central Air Command Composite Flight, RCAF, ca. 1950

Overall aluminum finish. Flat Black anti-glare panel.



Aircraft 3 78 Squadron, RAAF, ca. 1946

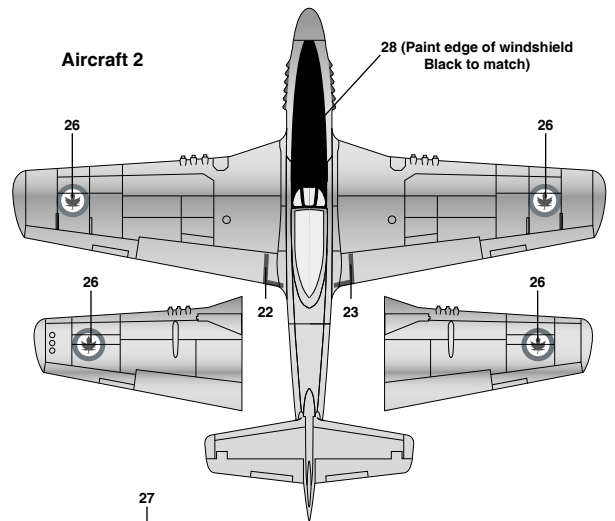
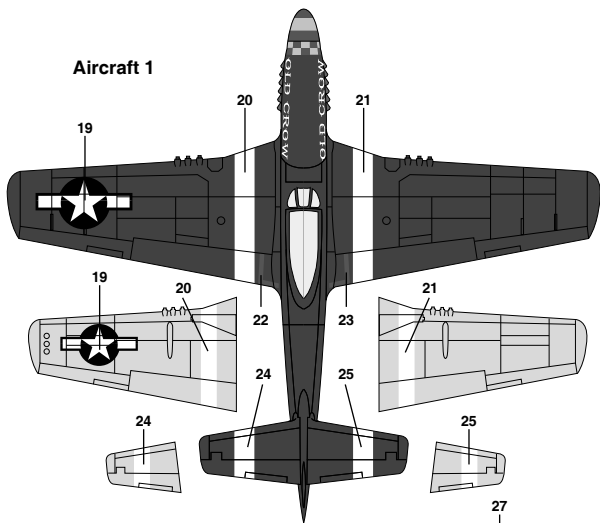
Overall aluminum finish. Flat Black anti-glare panel.



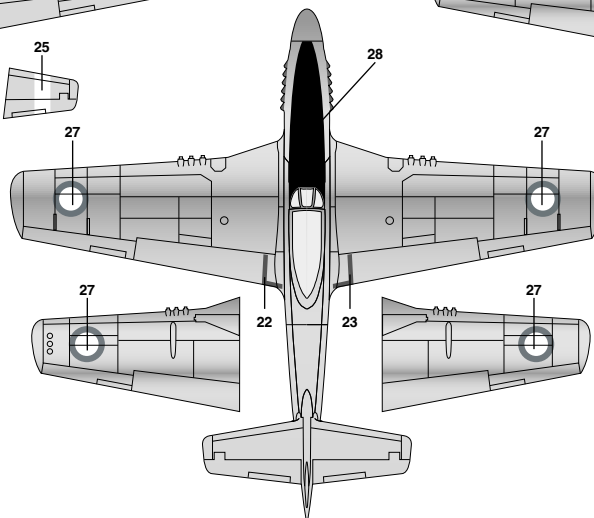
Aircraft 1

Aircraft 2

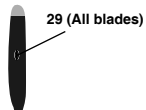
28 (Paint edge of windshield Black to match)







Aircraft 3



Propellers **FLAT BLACK** with **YELLOW** tips



29 (All blades)

	
Olive Drab FS 34087	Aluminum
	
Gray FS 36270	Flat Black