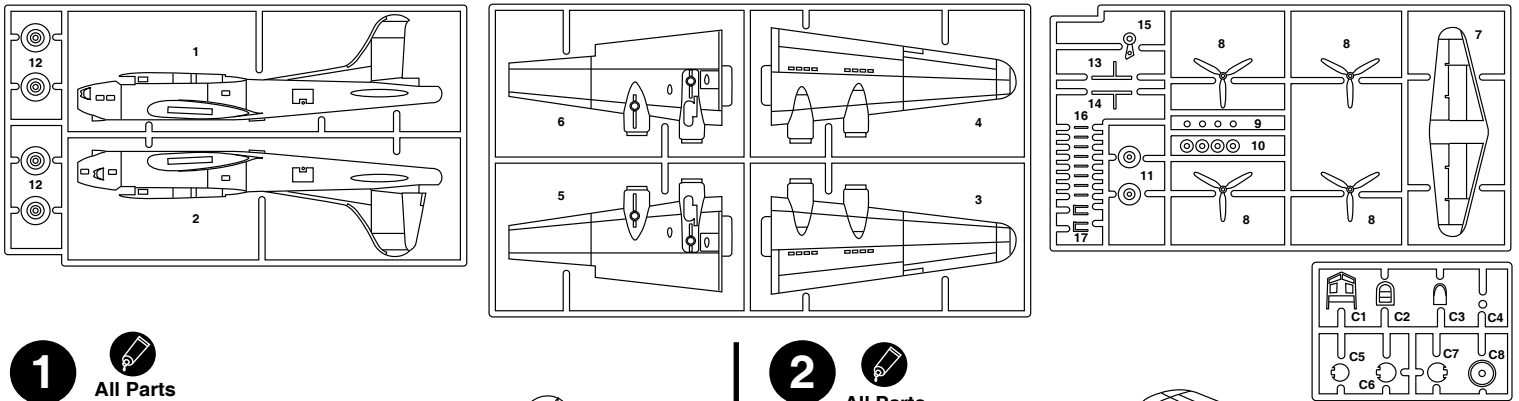


Your MINICRAFT B-17G may be assembled with various options, such as 'In-flight' features as retracted landing gear and 'spinning' propellers. Parts are also provided for a 'stationary' or 'ground' version with extended landing gear. Please review the assembly steps to become familiar with the parts before beginning assembly.

PARTS LAYOUT DIAGRAM



1 All Parts except as noted

Note part C1 location

Cockpit interior INTERIOR GREEN
Tailwheel strut ALUMINUM
Tire FLAT BLACK-GRAY

2 All Parts

3 All Parts

4 IN-FLIGHT VERSION

All Parts

NOTE
Tailwheel in retracted position

Struts ALUMINUM
Tires FLAT BLACK-GRAY

5 STATIONARY VERSION

All Parts except as noted

NOTE
Tailwheel in extended position

Struts ALUMINUM
Tires FLAT BLACK-GRAY
Propellers FLAT BLACK with YELLOW tips

6 All Parts

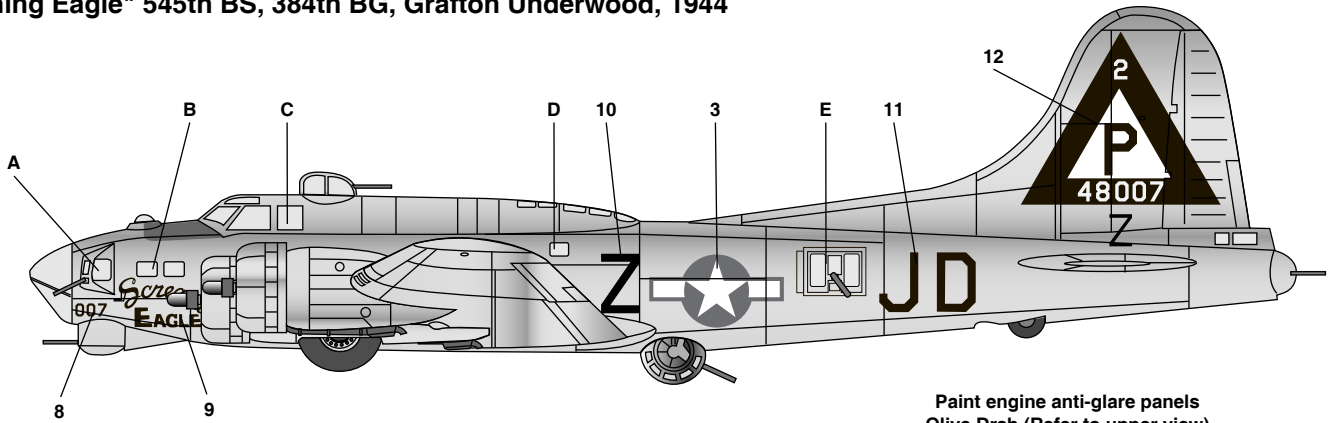
Machine guns GUNMETAL

NOTE
"Mercy's Madhouse" was fitted with H2X radar in a dome that replaced the underside ball turret. Fill mounting holes in part C6 as shown. Do not use guns part 17. Paint Light Gray.

C6 Fill Holes

PAINT & DECAL GUIDE

"Screaming Eagle" 545th BS, 384th BG, Grafton Underwood, 1944

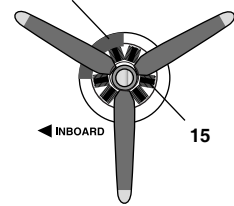


 Olive Drab FS 34087
(Anti-glare panels)

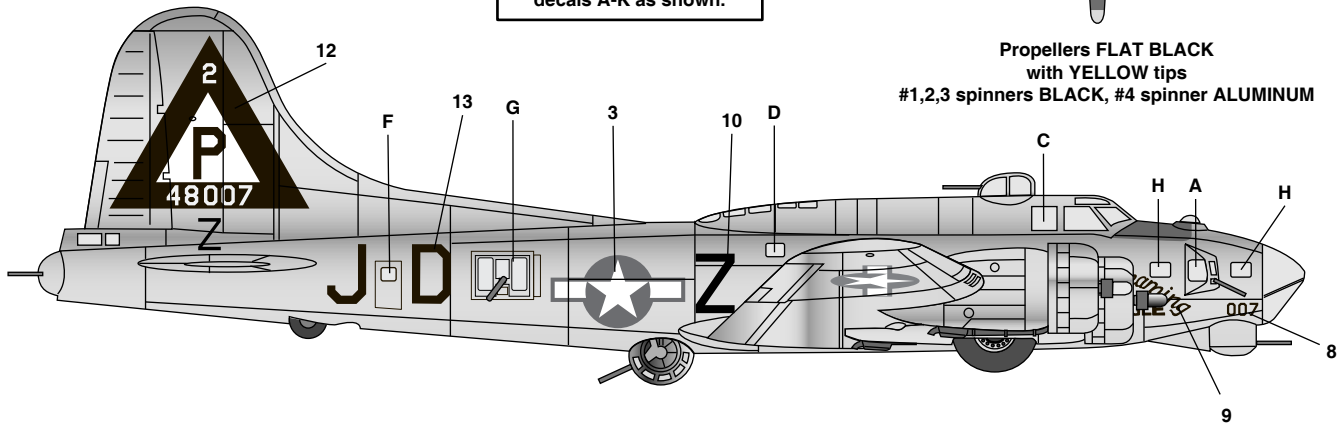
 Aluminum

OPTION
You may fill engraved detail and apply optional window decals A-K as shown.

Paint engine anti-glare panels
Olive Drab (Refer to upper view)

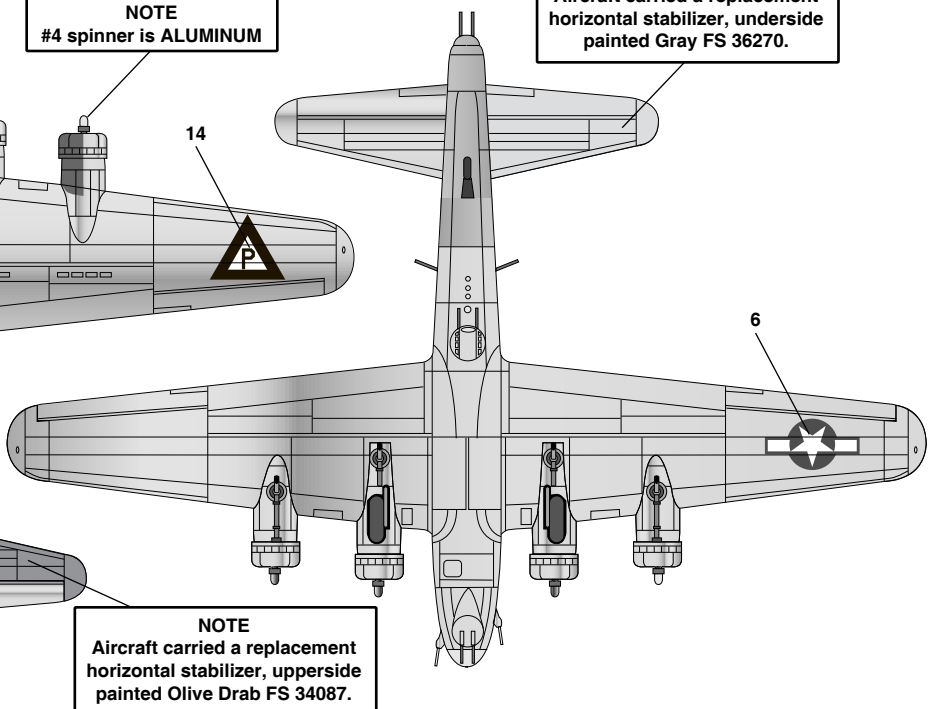
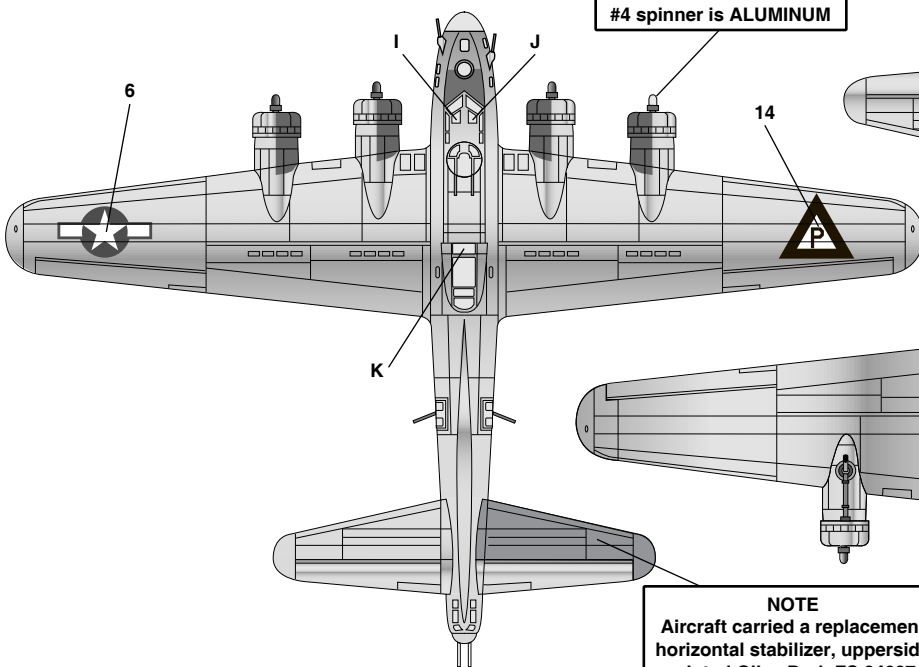


Propellers **FLAT BLACK**
with **YELLOW** tips
#1,2,3 spinners **BLACK**, #4 spinner **ALUMINUM**



NOTE
#4 spinner is **ALUMINUM**

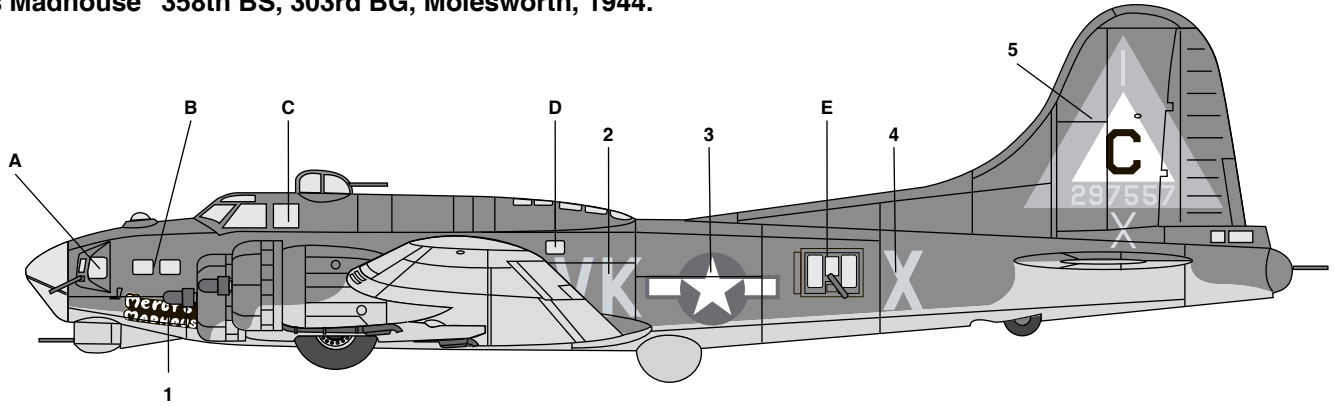
NOTE
Aircraft carried a replacement horizontal stabilizer, underside painted Gray FS 36270.



NOTE
Aircraft carried a replacement horizontal stabilizer, upperside painted Olive Drab FS 34087.

PAINT & DECAL GUIDE

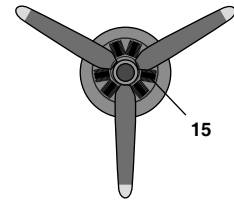
"Mercy's Madhouse" 358th BS, 303rd BG, Molesworth, 1944.



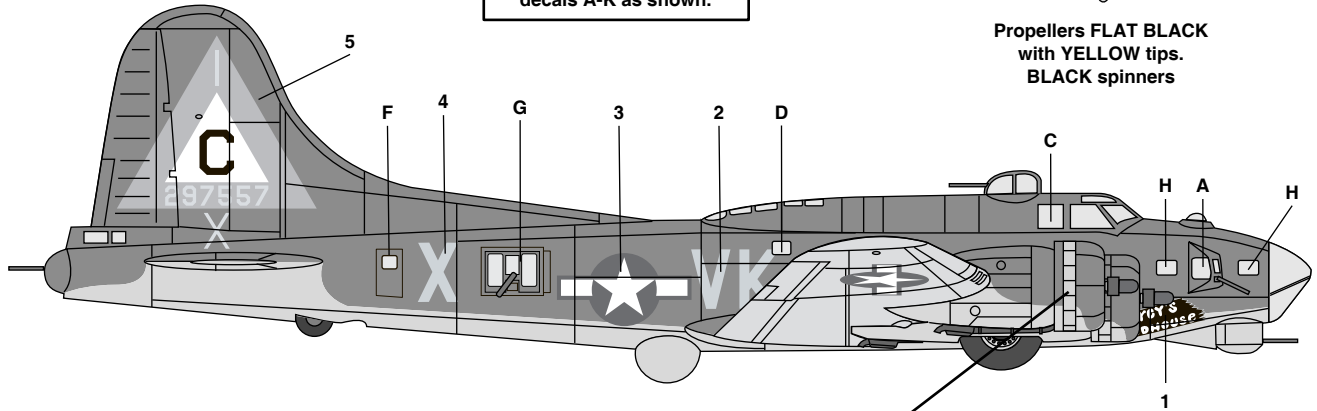
 Olive Drab
FS 34087

 Gray
FS 36270

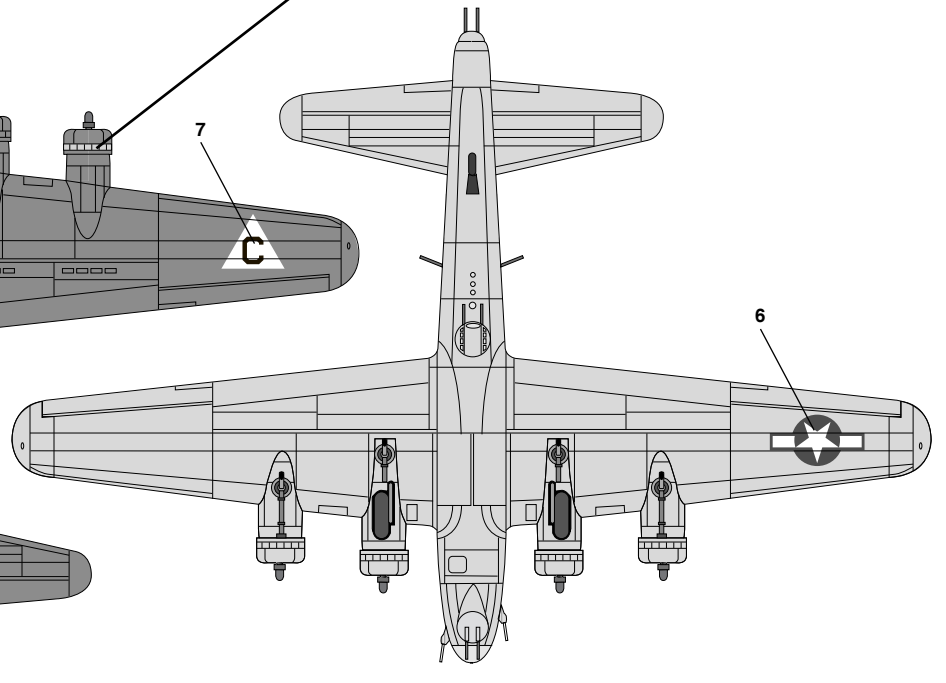
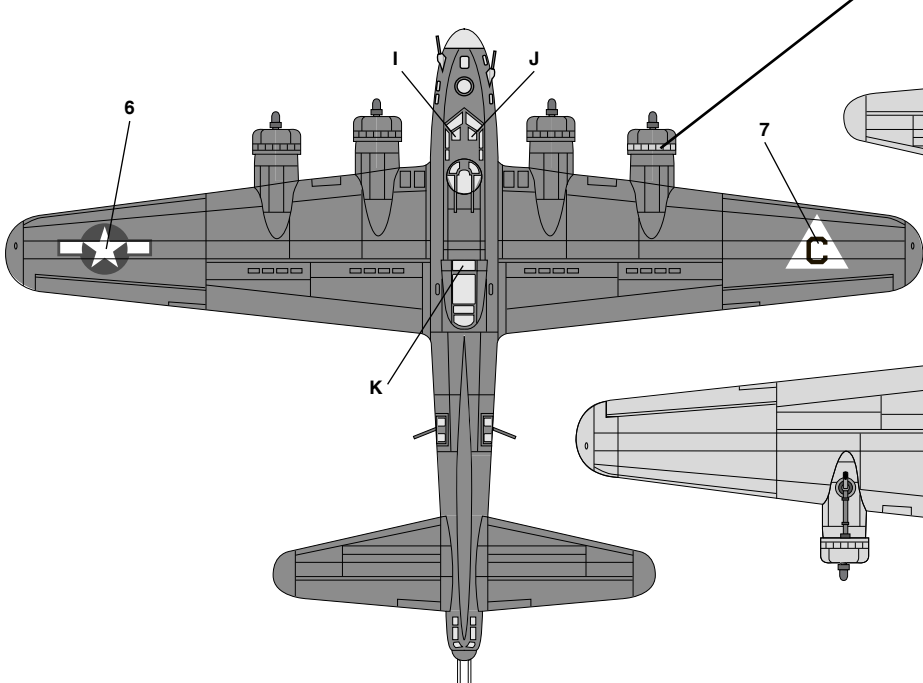
OPTION
You may fill engraved detail
and apply optional window
decals A-K as shown.



Propellers **FLAT BLACK**
with **YELLOW** tips.
BLACK spinners



NOTE
#4 engine cowl flaps
are natural aluminum



Your Minicraft model includes high-quality waterside decals. These decals adhere best to a glossy surface; and it is recommended that you apply a clear gloss coat over your painted model.

Use a sharp scissors or knife to cut individual decals from the carrier sheet. Do not cut into the clear film surrounding the individual decals.

* It is recommended that you apply one decal at a time.

* Place the decal section in warm water, when first inserted in the water your decal will curl, after approximately ten seconds the decal will uncurl. Remove from water and lay on a paper towel. After approximately 10 - 20 seconds the decal will slide freely from the backing paper. Use a small brush to help slide the decal from the backing paper and into position on the model. Carefully blot excess water from the decal, using care not to move the decal or tear it.

* If you choose to use a setting solution, apply a thin coat over the decal following the manufacturer's instruction.

* Allow the decal to dry overnight. Wash any adhesive residue off the model with a small amount of clean water and dry thoroughly.

* Apply clear gloss, matte or flat coat to seal decals following the instructions from the manufacturer.



Visit our Website-
www.minicraftmodels.com

Minicraft Models (US) LLC
1501 Commerce Drive
Elgin, IL 60123
Phone: 847-429-9676