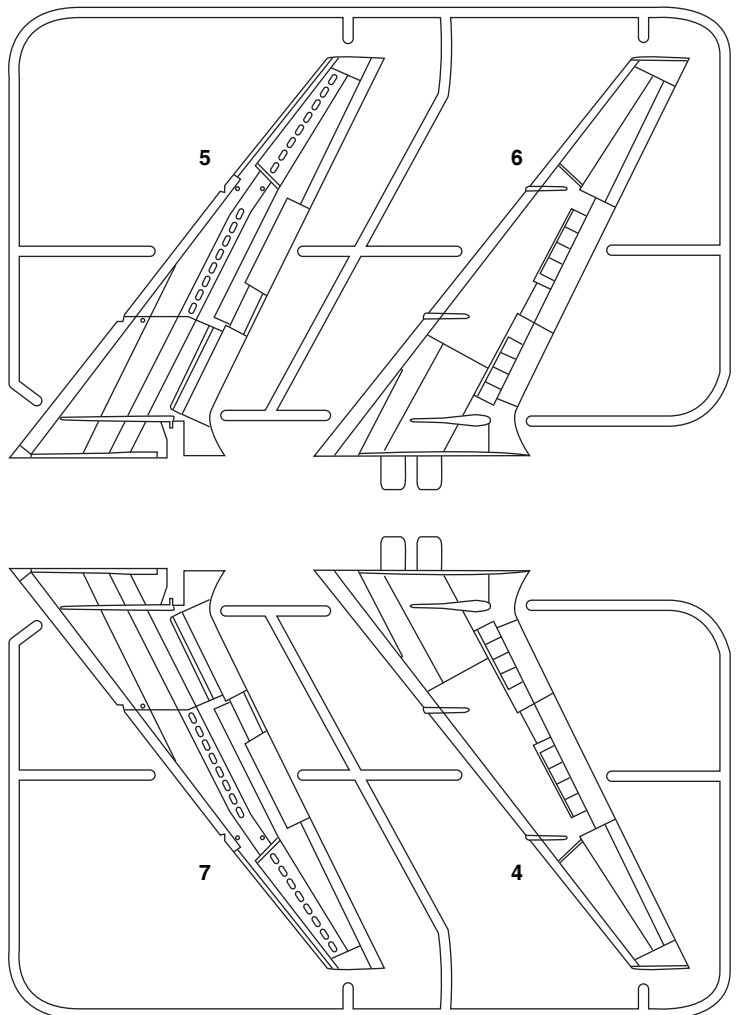
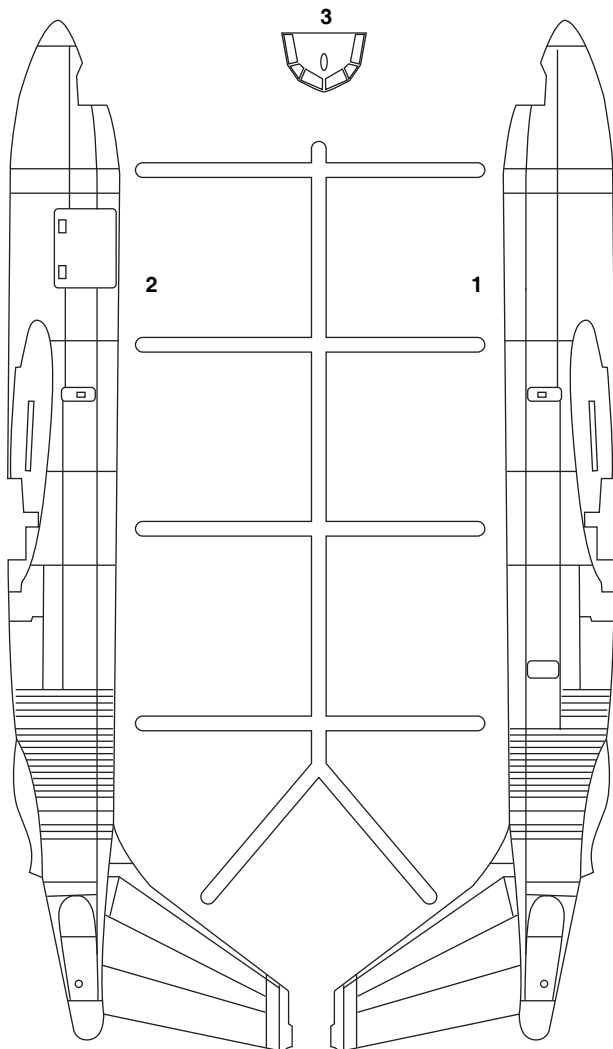
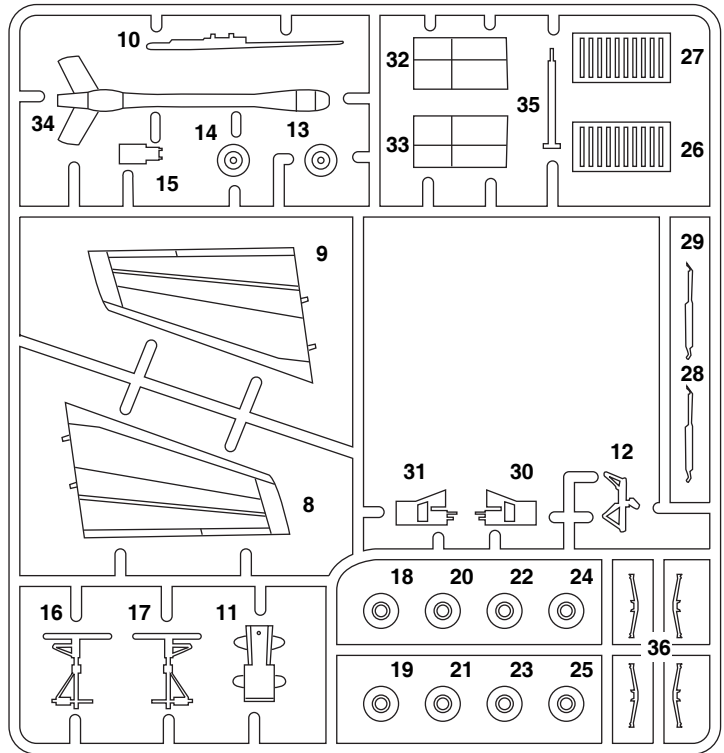
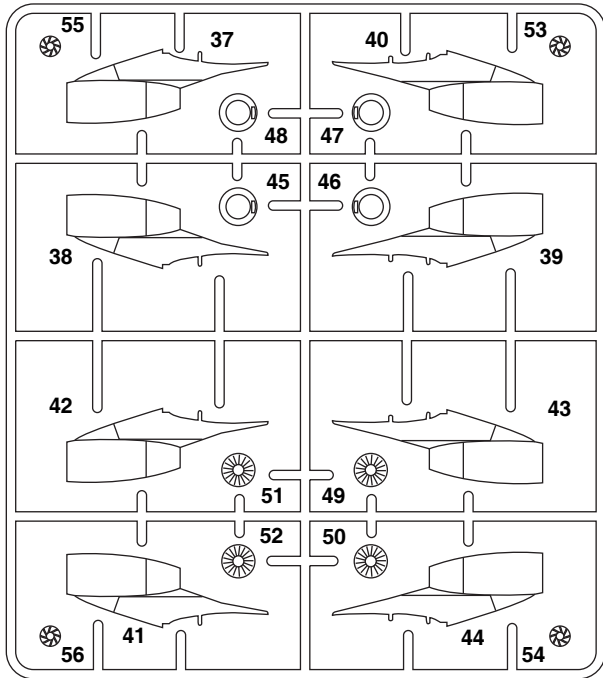


PARTS LOCATING DIAGRAM KC-135A #14707





Cement
Coller
Kleben
Pegar
Incollare
Colar
Kleven



DO NOT Cement
Ne pas Coller
Nicht Kleben
No Pegar
Non Incollare
Nao Colar
Niet Kleven



Cut away
Couper
Scheiden
Cortar
Tagliare
Cortar
Snijden



Optional parts
Choix
Auswahlmoglichkeit
Eleccion
Scelta
Opaco
Keuze



Repeat operation
RZpeeter l' opZration
Vorgang wiederholen
Repitir la operacion
Ripetere
Repitir a operacao
Herhalen



Symmetrical assembly

BEFORE BEGINNING ASSEMBLY

Your MINICRAFT KC-135A has delicate parts by design for accuracy in this scale.

All parts should be cut from the parts sprue carefully with a hobby knife. A sprue cutter may damage smaller parts.

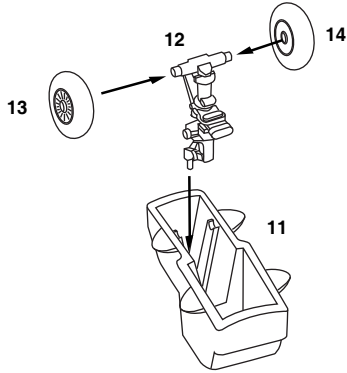
1 NOSE GEAR ASSEMBLY

2 FUSELAGE ASSEMBLY



All Parts

NOTE
If you are building your model with
RETRACTED landing gear, disregard this step.

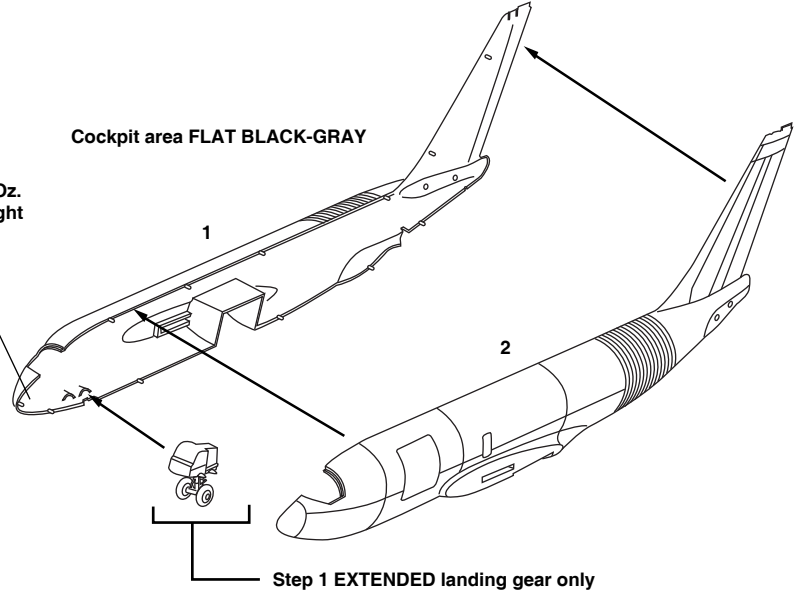


Wheel well interior **GLOSS WHITE / PRIMER GREEN**
Strut & wheel hubs **GLOSS WHITE / ALUMINUM**
Tires **FLAT BLACK-GRAY**

Add 1/2 Oz.
Noseweight



Cockpit area **FLAT BLACK-GRAY**

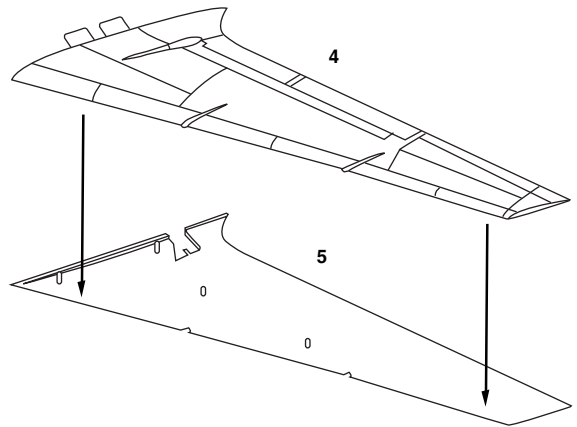
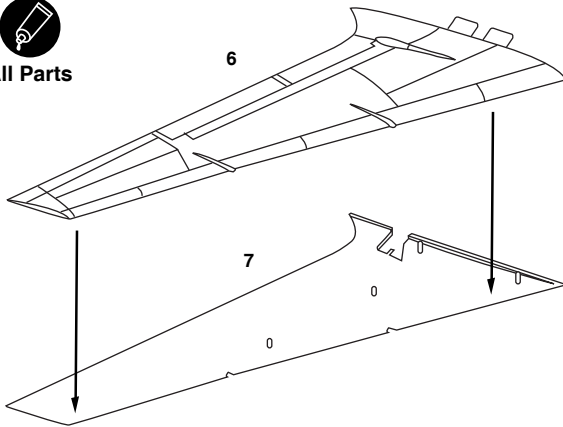


Step 1 **EXTENDED** landing gear only

3 LEFT / RIGHT WINGS



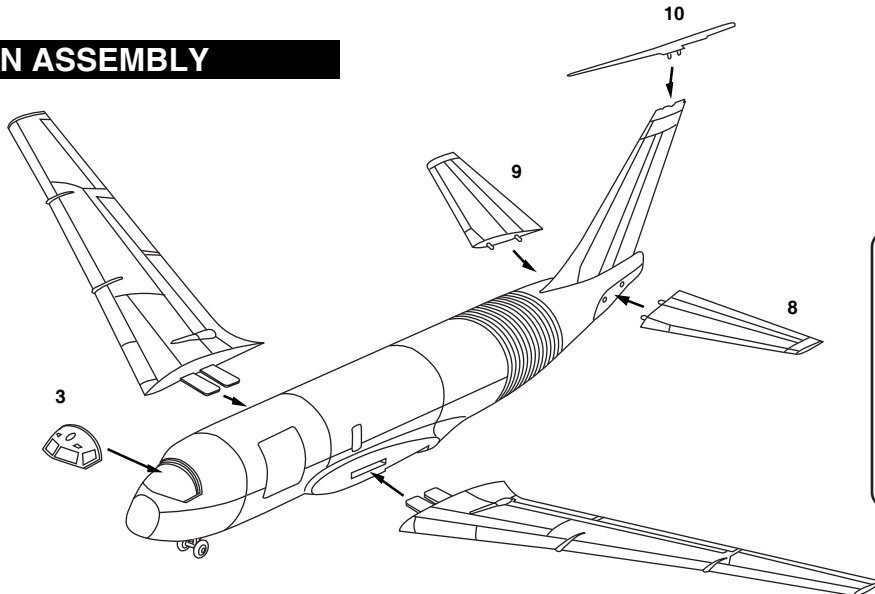
All Parts



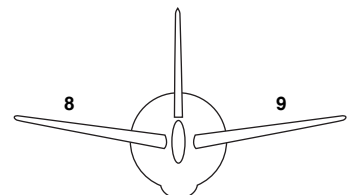
4 MAIN ASSEMBLY



All Parts



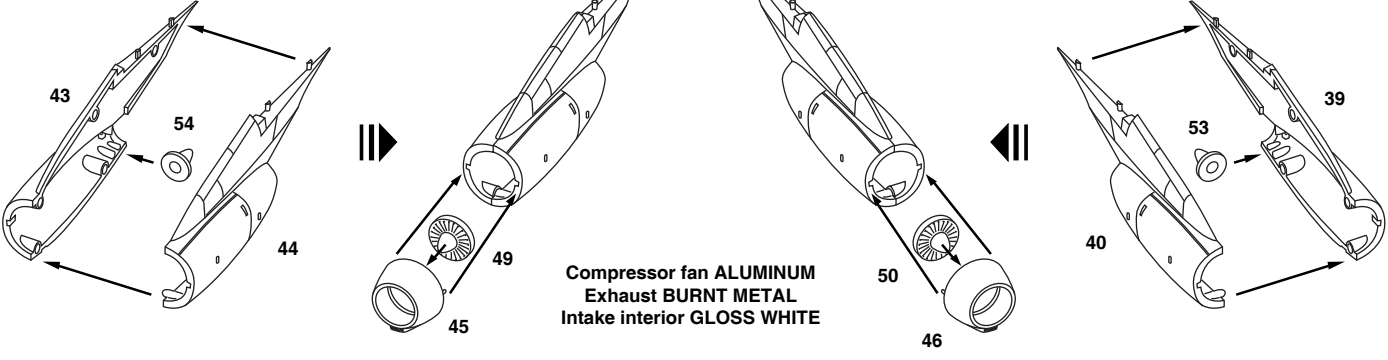
Note stabilizer angle of alignment



5 ENGINE ASSEMBLY (Outboard Engines)



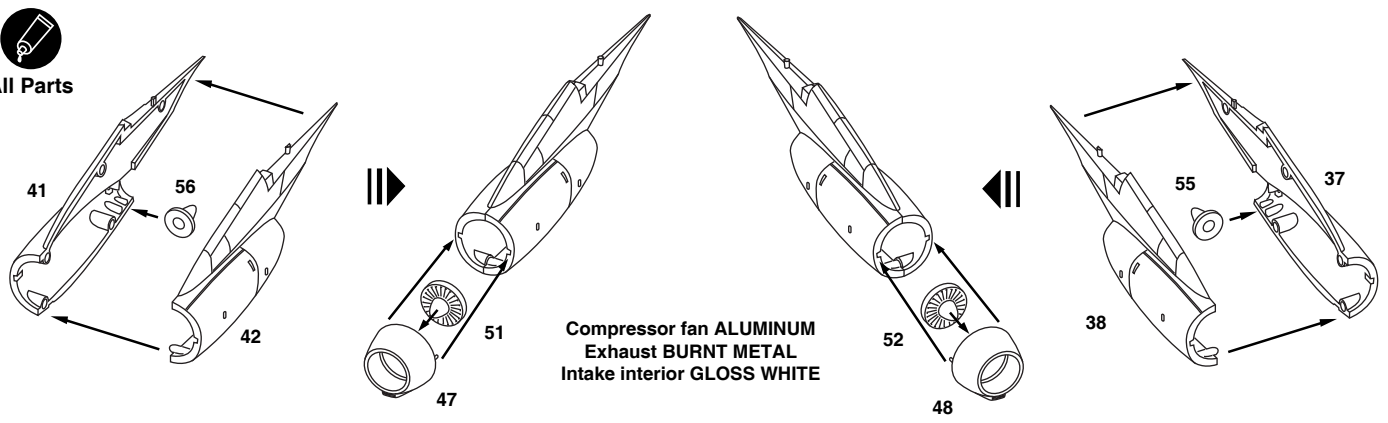
All Parts



6 ENGINE ASSEMBLY (Inboard Engines)



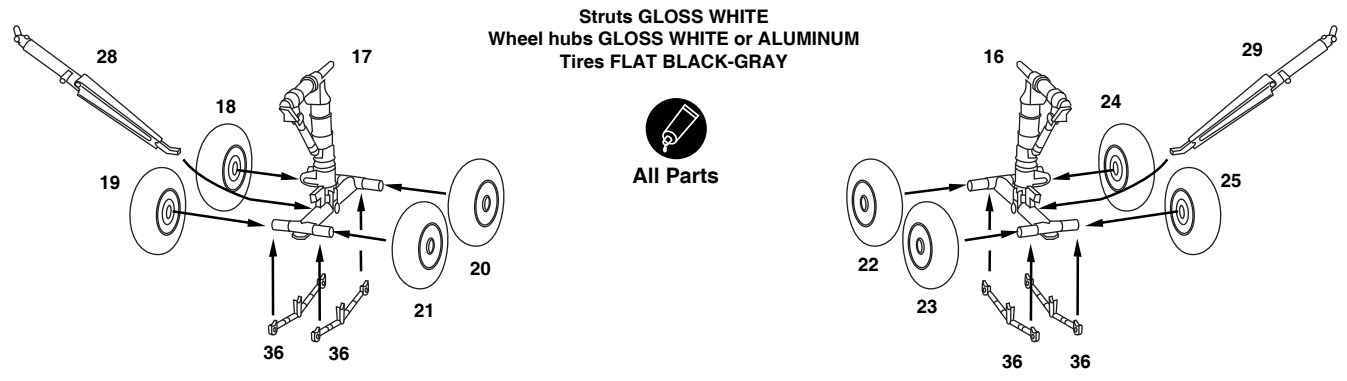
All Parts



7 MAIN LANDING GEAR



All Parts

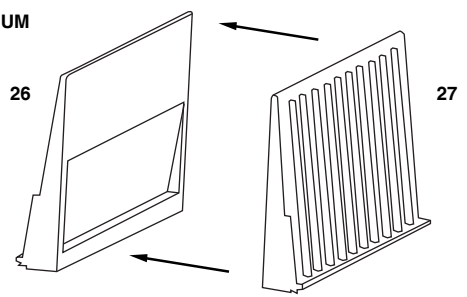


8 BALLAST TANK

GLOSS WHITE, INTERIOR GREEN or ALUMINUM



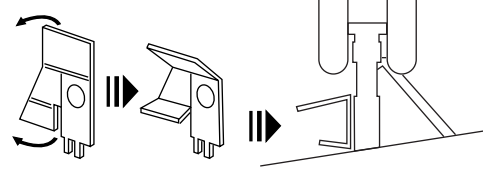
All Parts




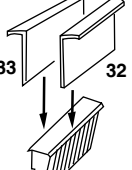
9 FINAL MAIN ASSEMBLY (Extended Landing Gear)

 All Parts

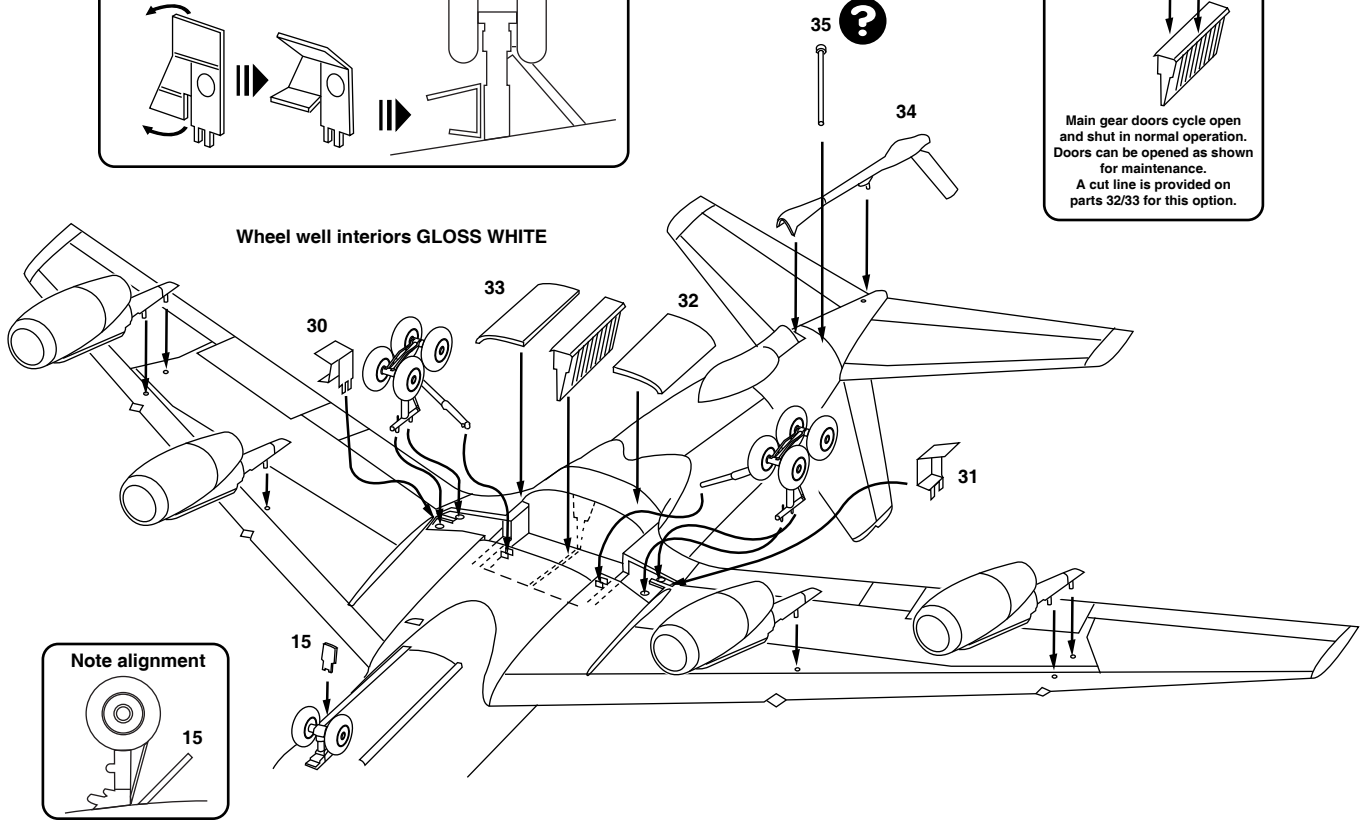
IMPORTANT
Carefully bend landing gear door parts 30/31 into position shown before assembling.



NOTE
Part 35 is an optional tail stand used on fully loaded aircraft, generally painted Yellow.

Main gear doors cycle open and shut in normal operation. Doors can be opened as shown for maintenance. A cut line is provided on parts 32/33 for this option.



10 FINAL MAIN ASSEMBLY (Retracted Landing Gear)

 All Parts

Cut away pins from parts 30/31

