

Eastern Electra



The L-188 Electra was introduced in the late 1950's to serve as a fast, economical medium range airliner for short and medium range service. Eastern Airlines was one of the earliest airlines to support the Electra taking delivery in late 1958 with the first revenue flight in January 1959. While the Electra had a short career as a front line airliner, the Electra did prove the effectiveness of the "turbo-prop" engine design and eventually proved to be a sound and economical design as demonstrated by the military counterpart, the P-3 Orion patrol bomber.

The new 1/144 scale Minicraft Electra features new markings representing the Eastern Airlines "Hockey Stick" livery and position-able landing gear.

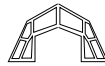
Minicraft Models, 1501 Commerce Drive, Elgin IL 60123 USA

www.minicraftmodels.com

Printed in China

14661

PARTS LAYOUT DIAGRAM

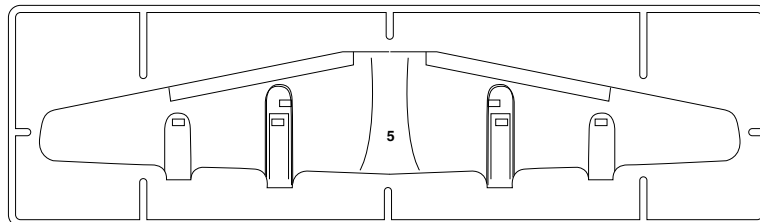
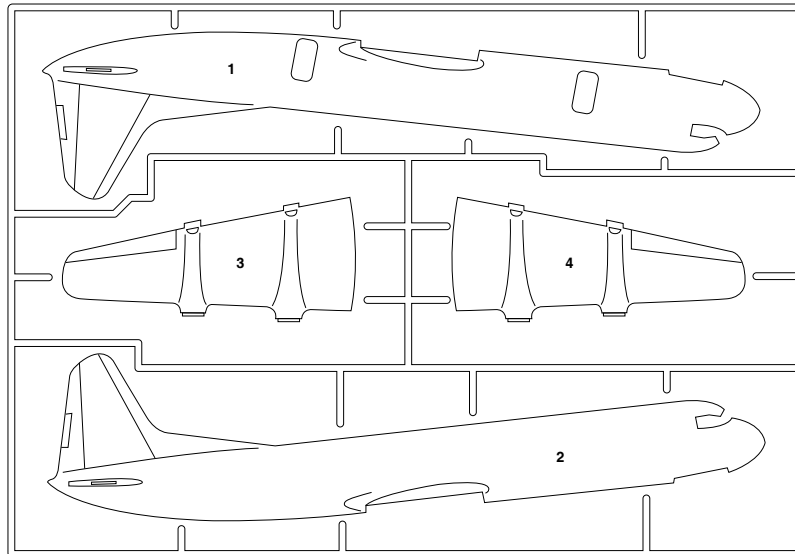
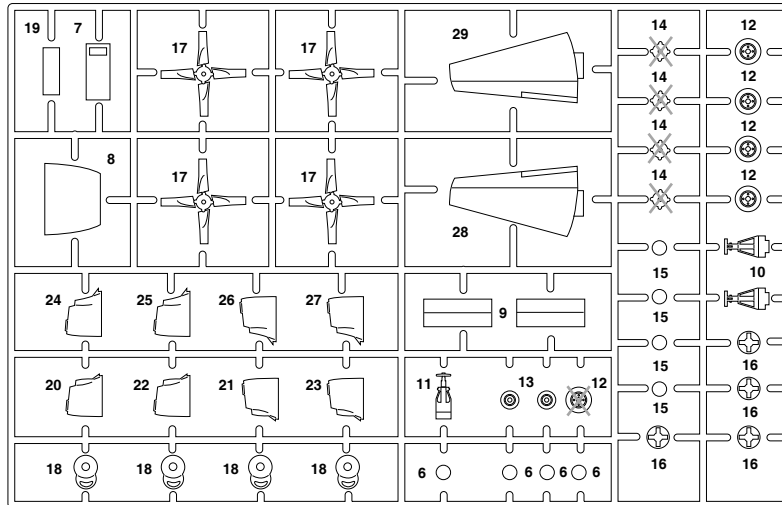


WINDSCREEN

NOTE
Parts marked



are not for use
in this kit





Cement
Coller
Kleben
Pegar
Incollare
Colar
Kleven



DO NOT Cement
Ne pas Coller
Nicht Kleben
No Pegar
Non Incollare
Nao Colar
Niet Kleven



Cut away
Couper
Scheiden
Cortar
Tagliere
Cortar
Snijden

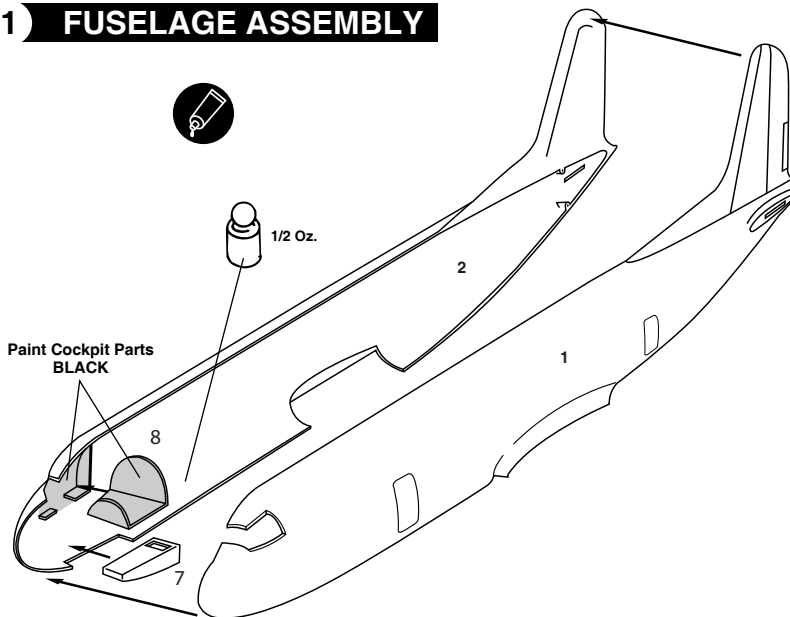


Optional parts
Choix
Auswahlmoglichkeit
Eleccion
Scelta
Opaco
Keuze

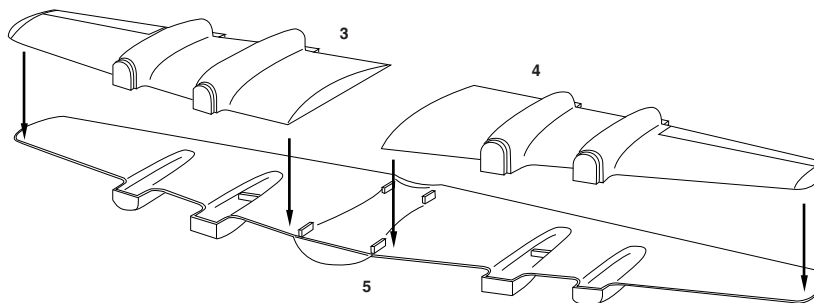


Repeat operation
Rzpeeter l' opzration
Vorgang wiederholen
Repitir la operacion
Ripetere
Repitir a operacao
Herhalen

1 FUSELAGE ASSEMBLY

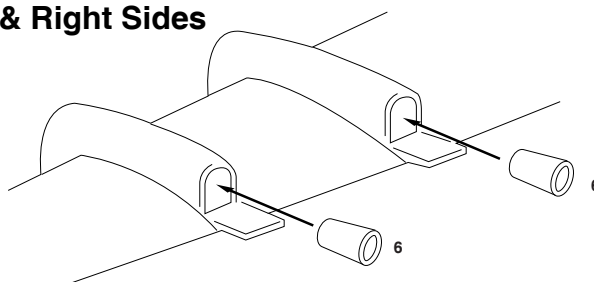


2 WINGS

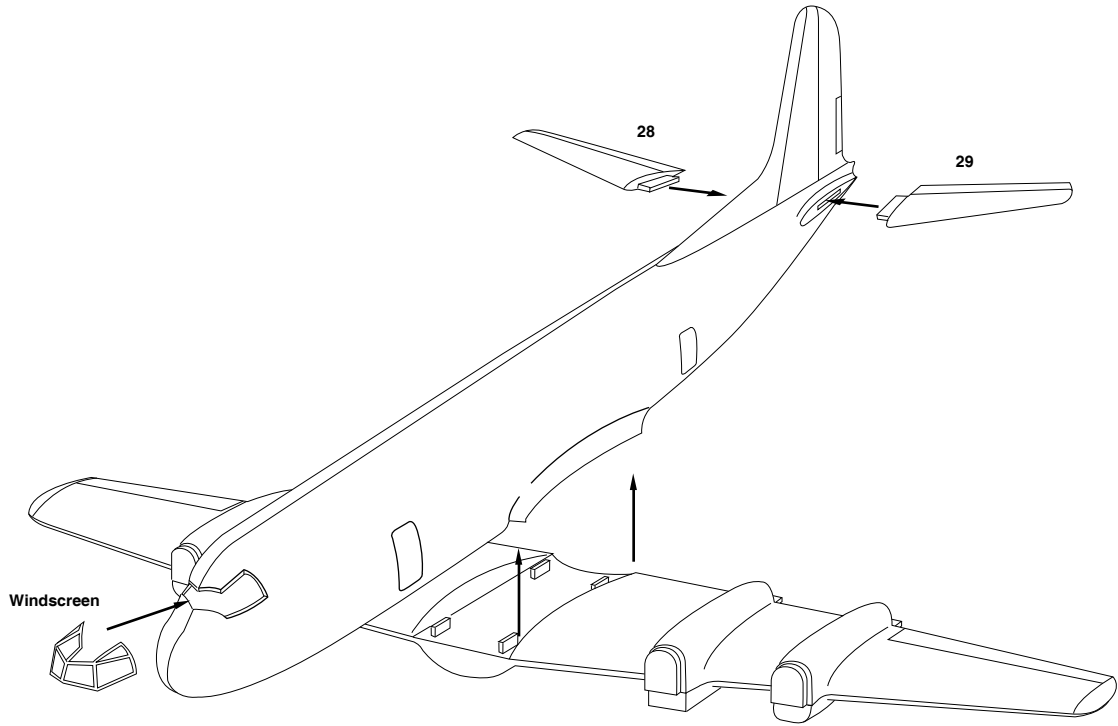


3 EXHAUSTS

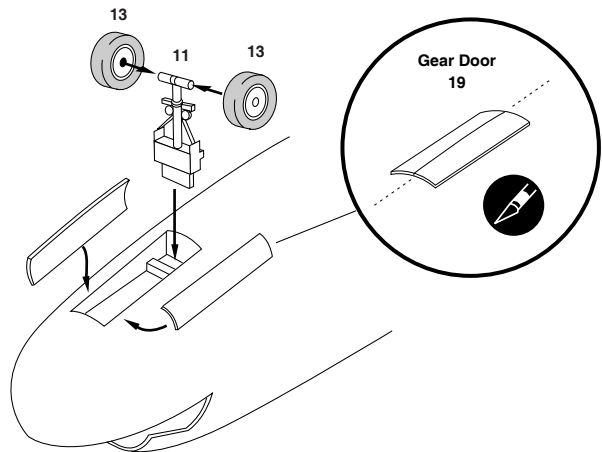
Left & Right Sides



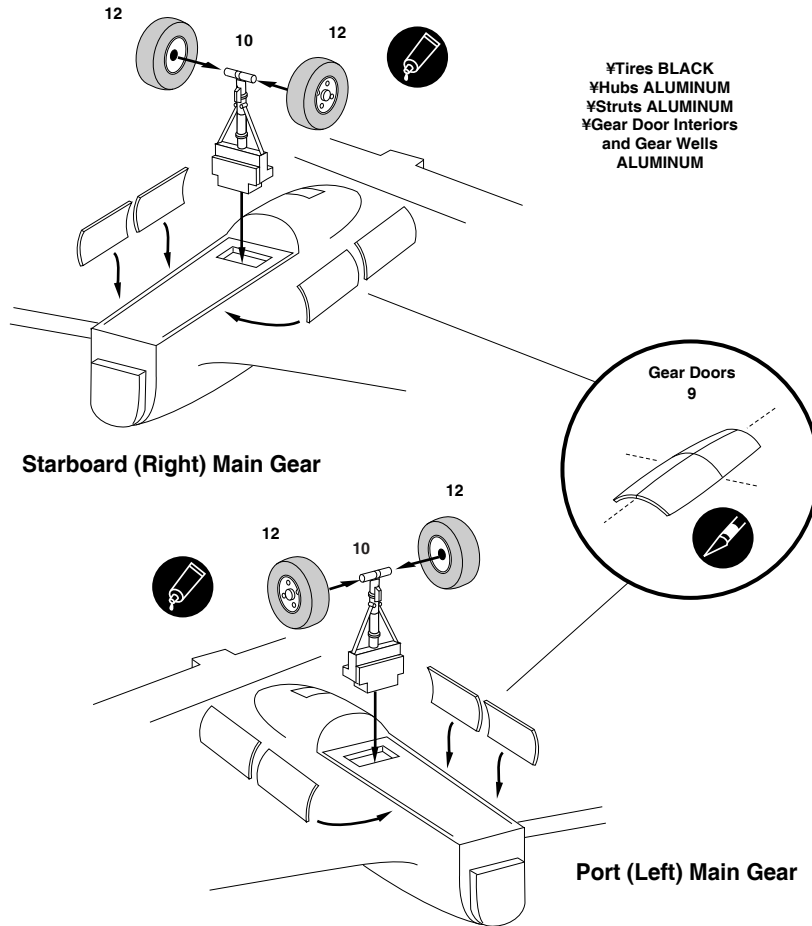
4 MAIN ASSEMBLY



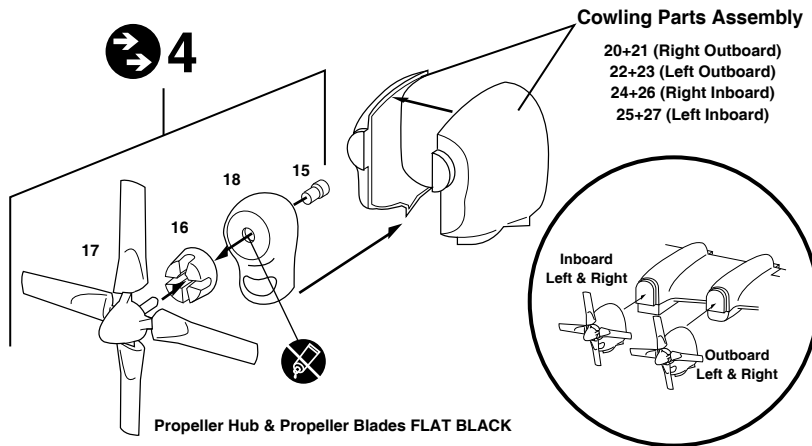
5 NOSE GEAR



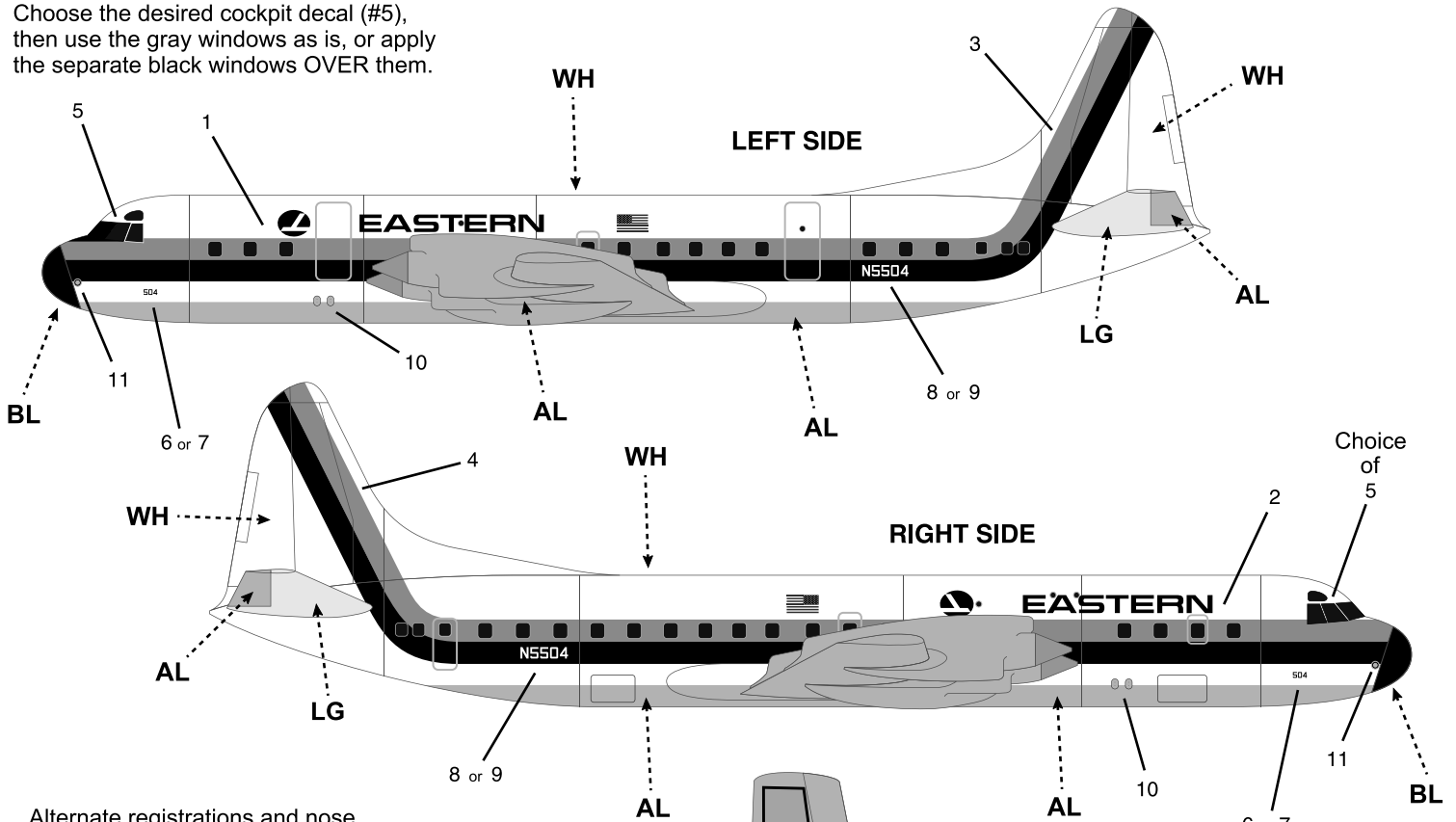
6 MAIN LANDING GEAR



7 POWERPLANTS



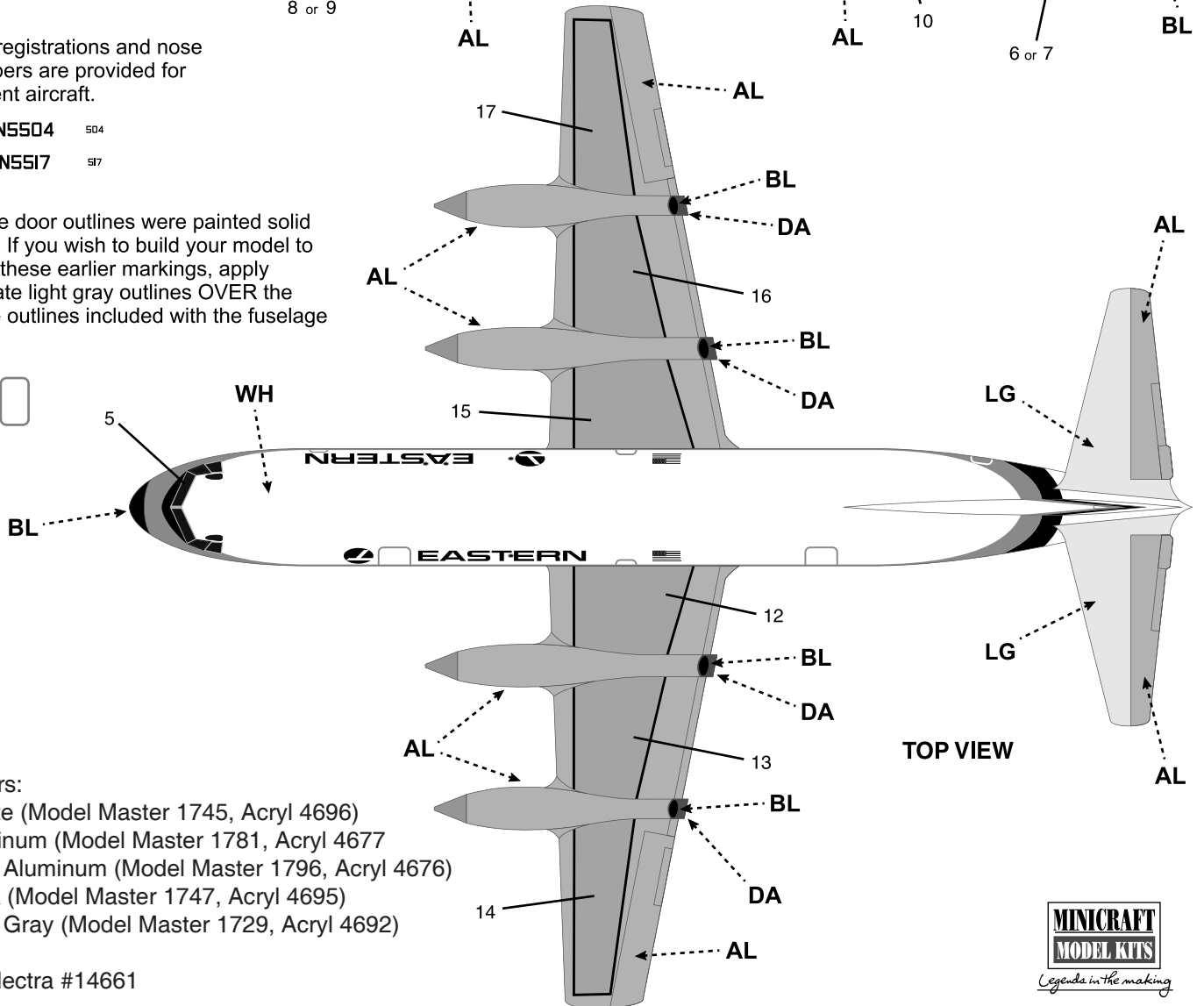
Several window options are provided. Choose the desired cockpit decal (#5), then use the gray windows as is, or apply the separate black windows OVER them.



Alternate registrations and nose fleet numbers are provided for two different aircraft.

N5504 504
N5517 517

Initially, the door outlines were painted solid light gray. If you wish to build your model to represent these earlier markings, apply the separate light gray outlines OVER the gray/white outlines included with the fuselage stripes.



Paint colors:

- WH - White (Model Master 1745, Acryl 4696)
- AL - Aluminum (Model Master 1781, Acryl 4677)
- DA - Dark Aluminum (Model Master 1796, Acryl 4676)
- BL - Black (Model Master 1747, Acryl 4695)
- LG - Light Gray (Model Master 1729, Acryl 4692)

Eastern Electra #14661

Your Minicraft model includes high-quality waterslide decals. These decals adhere best to a glossy surface; and it is recommended that you apply a clear gloss coat over your painted model.

Use a sharp scissors or knife to cut individual decals from the carrier sheet. Do not cut into the clear film surrounding the individual decals.

* It is recommended that you apply one decal at a time.

* Place the decal section in warm water, when first inserted in the water your decal will curl, after approximately ten seconds the decal will uncurl. Remove from water and lay on a paper towel. After approximately 10 - 20 seconds the decal will slide freely from the backing paper. Use a small brush to help slide the decal from the backing paper and into position on the model. Carefully blot excess water from the decal, using care not to move the decal or tear it.

* If you choose to use a setting solution, apply a thin coat over the decal following the manufacturer's instruction.

* Allow the decal to dry overnight. Wash any adhesive residue off the model with a small amount of clean water and dry thoroughly.

* Apply clear gloss, matte or flat coat to seal decals following the instructions from the manufacturer.



Legends in the making™

Visit our Website-
www.minicraftmodels.com

Minicraft Models
1501 Commerce Drive
Elgin, IL 60123

Phone: 847-429-9676