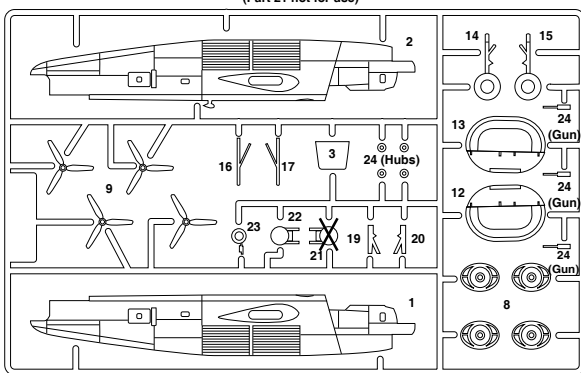
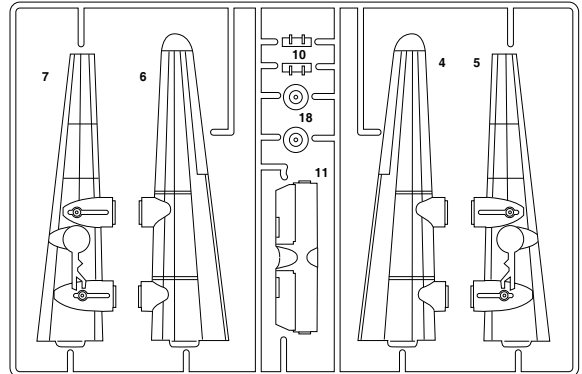
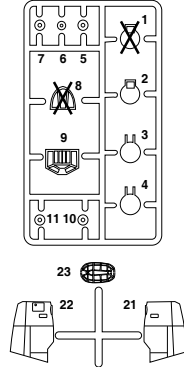


Your MINICRAFT B-24D may be assembled with various options, such as 'In-flight' features as retracted landing gear and 'spinning' propeller. Parts are also provided for a 'stationary' or 'ground' version with extended landing gear. Please review the assembly steps to become familiar with the parts before beginning assembly.

PARTS LAYOUT DIAGRAM



CLEAR PARTS
(Parts 1 & 8 not for use)



1

Carefully remove nose sections from fuselage halves 1/2 as indicated by line inside of parts. Replace with clear nose parts 21/22 as shown.

Mask small windows shown in Black before assembly.

1

Cockpit INTERIOR GREEN

Add nose weight

(1+21)

(2+22)

All Parts

Optional Seat belt and Instrument panel Decals

2

LEFT WING

RIGHT WING

3

STATIONARY VERSION

9

8

5/7/10/11 (Clear)

IN-FLIGHT VERSION

24 (Hub)

8

5/7/10/11 (Clear)

4x

3

All Parts

13

11

12

Propellers BLACK with YELLOW tips

4

IN-FLIGHT VERSION

All Parts

14

Tires BLACK-GRAY

10

15

10

Remove small tabs from parts 10

5

STATIONARY VERSION

17

18

20

18

19

16

23

All Parts

NOTE
Nosegear doors (parts 10) not used, as 'D' model doors retracted inward.

Tires BLACK-GRAY
Struts ALUMINUM
Gear door and wheel well interiors CHROMATE GREEN

6

Use CLEAR parts 2/3/4/6/9/23

All Parts

9

3

22

24 (Guns)

6

23

24

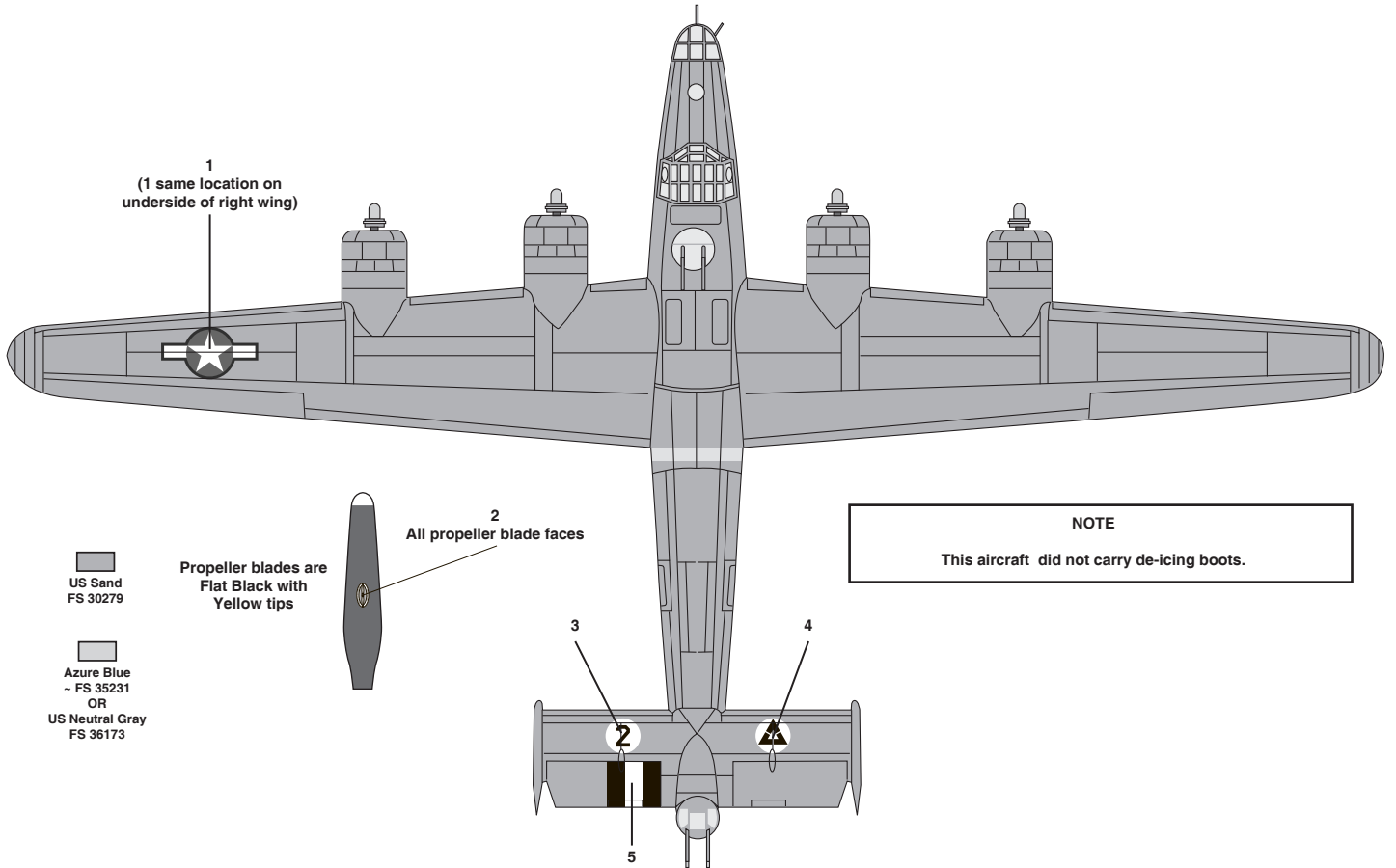
24

4

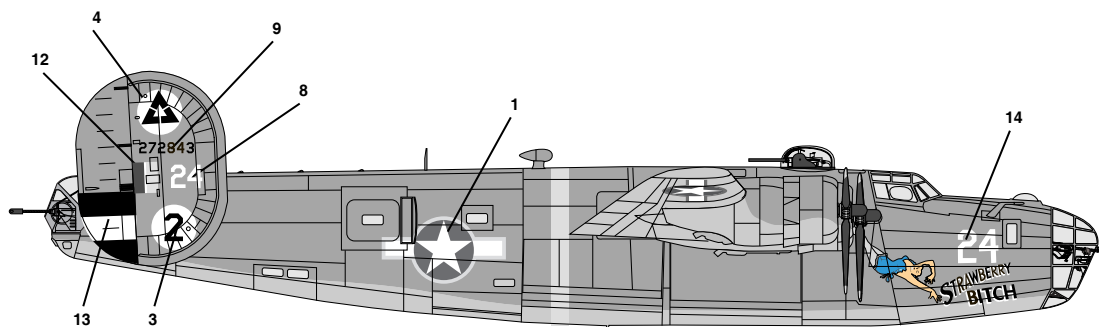
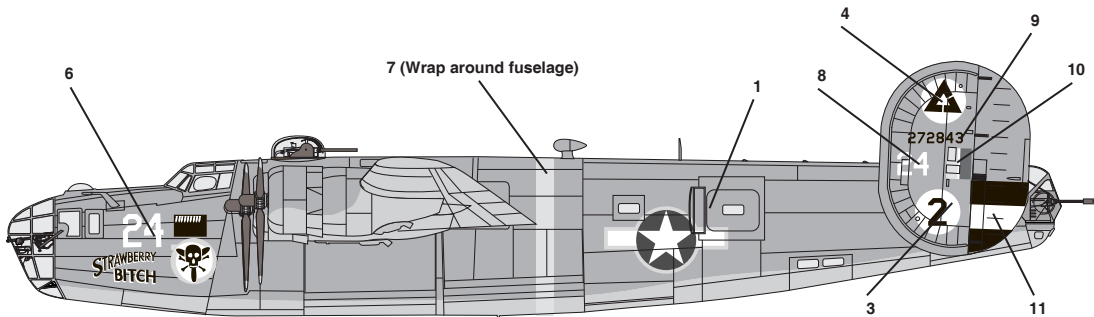
Gun barrels GUNMETAL

PAINT & DECAL GUIDE

B-24D "Strawberry Bitch" 512th BS, 376th BG

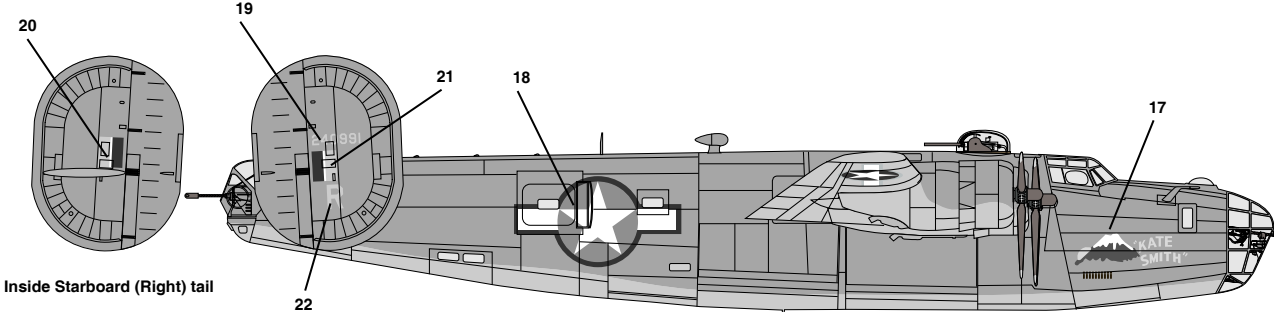
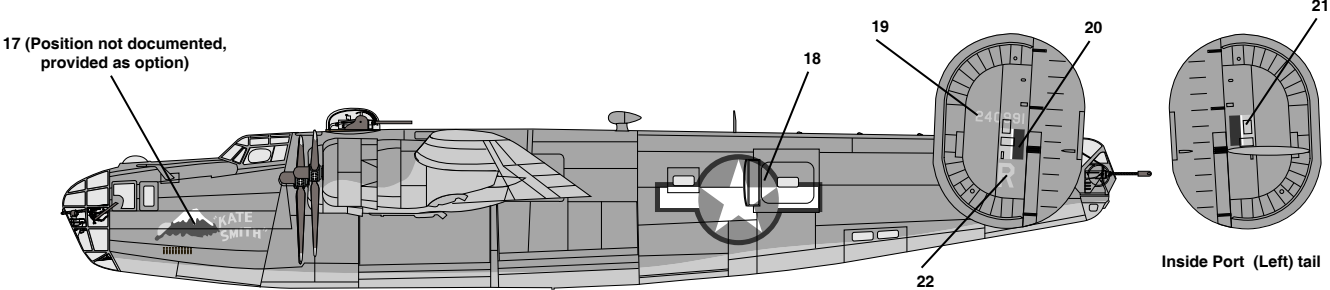
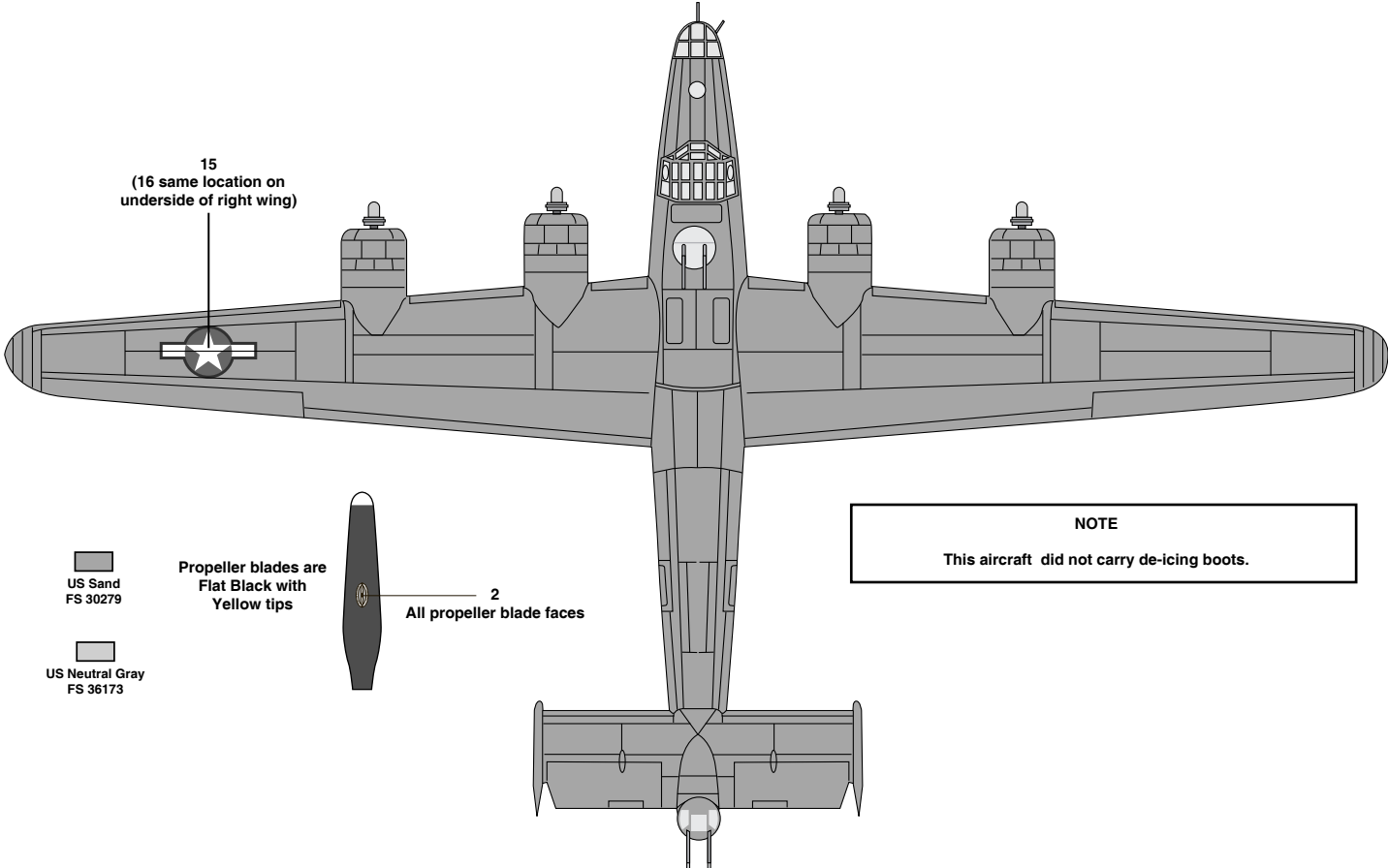


NOTE
This aircraft did not carry de-icing boots.



PAINT & DECAL GUIDE

B-24D "Kate Smith" 343rd BS, 98th BG, Libya



Your Minicraft model includes high-quality waterslide decals. These decals adhere best to a glossy surface; and it is recommended that you apply a clear gloss coat over your painted model.

Use a sharp scissors or knife to cut individual decals from the carrier sheet. Do not cut into the clear film surrounding the individual decals.

* It is recommended that you apply one decal at a time.

* Place the decal section in warm water, when first inserted in the water your decal will curl, after approximately ten seconds the decal will uncurl. Remove from water and lay on a paper towel. After approximately 10 - 20 seconds the decal will slide freely from the backing paper. Use a small brush to help slide the decal from the backing paper and into position on the model. Carefully blot excess water from the decal, using care not to move the decal or tear it.

* If you choose to use a setting solution, apply a thin coat over the decal following the manufacturer's instruction.

* Allow the decal to dry overnight. Wash any adhesive residue off the model with a small amount of clean water and dry thoroughly.

* Apply clear gloss, matte or flat coat to seal decals following the instructions from the manufacturer.



Legends in the making™

Visit our Website-
www.minicraftmodels.com

Minicraft Models
1501 Commerce Drive
Elgin, IL 60123

Phone: 847-429-9676