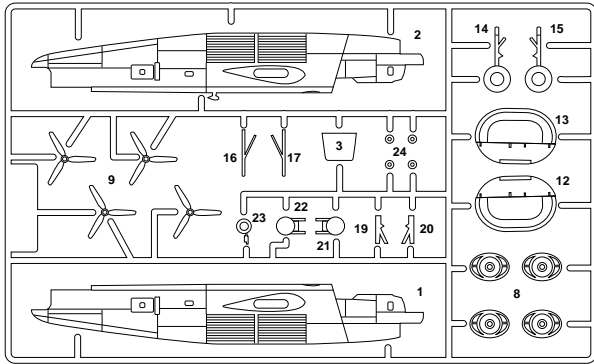
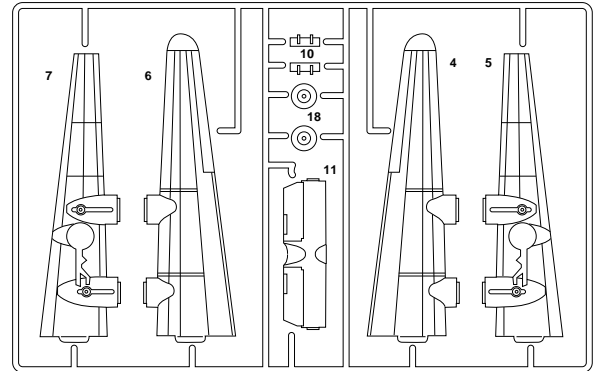
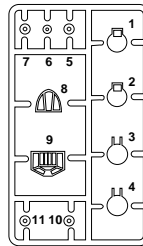


Your MINICRAFT B-24J may be assembled with various options, such as 'In-flight' features as retracted landing gear and 'spinning' propeller. Parts are also provided for a 'stationary' or 'ground' version with extended landing gear. Please review the assembly steps to become familiar with the parts before beginning assembly.

PARTS LAYOUT DIAGRAM



CLEAR PARTS



1 Cockpit ≠ INTERIOR GREEN

All Parts

Add nose weight

Optional Seat belt and Instrument panel Decals

2

3 STATIONARY VERSION

All Parts

9 5/7/10/11 (Clear)

8

IN-FLIGHT VERSION

24 5/7/10/11 (Clear)

8

Propellers ≠ BLACK with YELLOW tips

4 IN-FLIGHT VERSION

All Parts

14 Tires ≠ BLACK-GRAY

10 15

10

Remove small tabs from parts 10

5 STATIONARY VERSION

All Parts

17 18 20

18 19 16

23 10

Tires ≠ BLACK-GRAY
 Struts ≠ ALUMINUM
 Gear door and wheel well interiors ≠ CHROMATE GREEN

6 Use CLEAR parts 1/2/3/4/6/8/9

All Parts

9 3 2 22

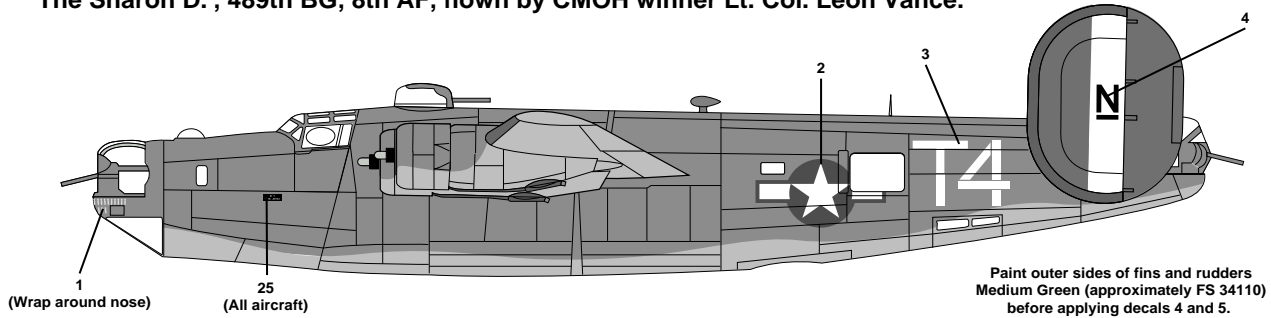
1 6 4

21 8

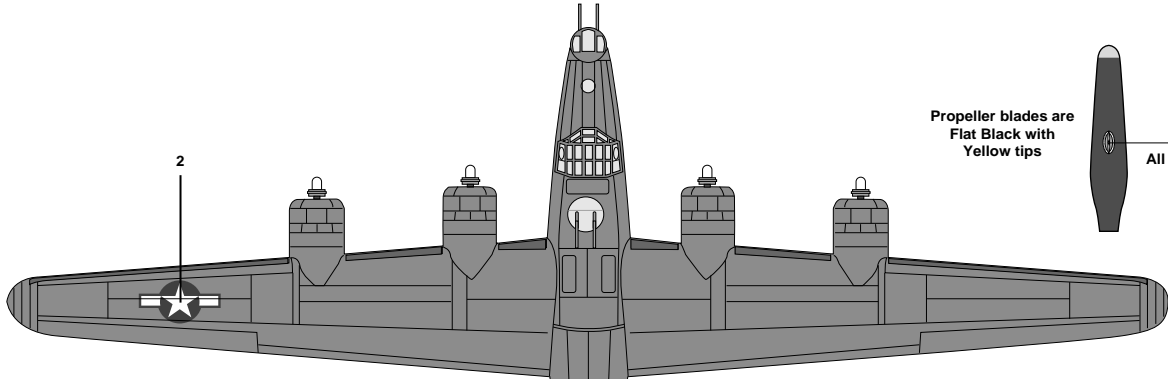
Gun barrels ≠ GUNMETAL

PAINT & DECAL GUIDE

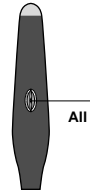
'The Sharon D.', 489th BG, 8th AF, flown by CMOH winner Lt. Col. Leon Vance.



Paint outer sides of fins and rudders
Medium Green (approximately FS 34110)
before applying decals 4 and 5.

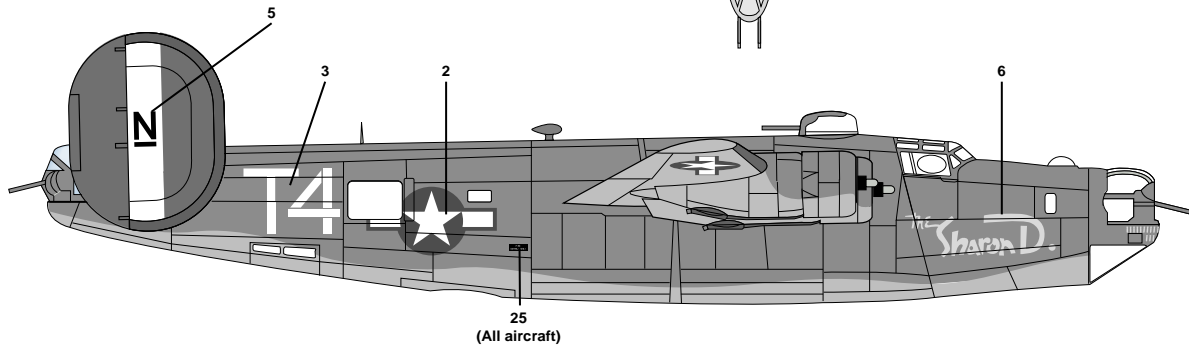
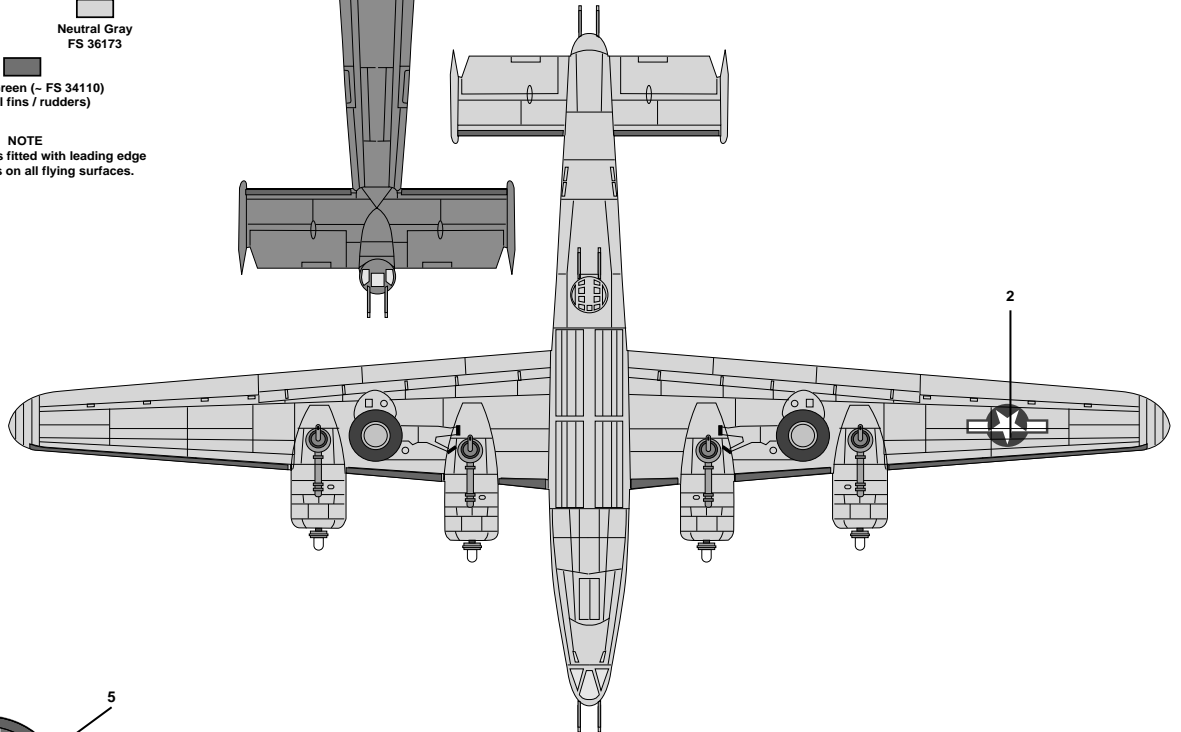


Propeller blades are
Flat Black with
Yellow tips



- Olive Drab
FS 34087
- Neutral Gray
FS 36173
- Medium Green (~ FS 34110)
(Vertical fins / rudders)

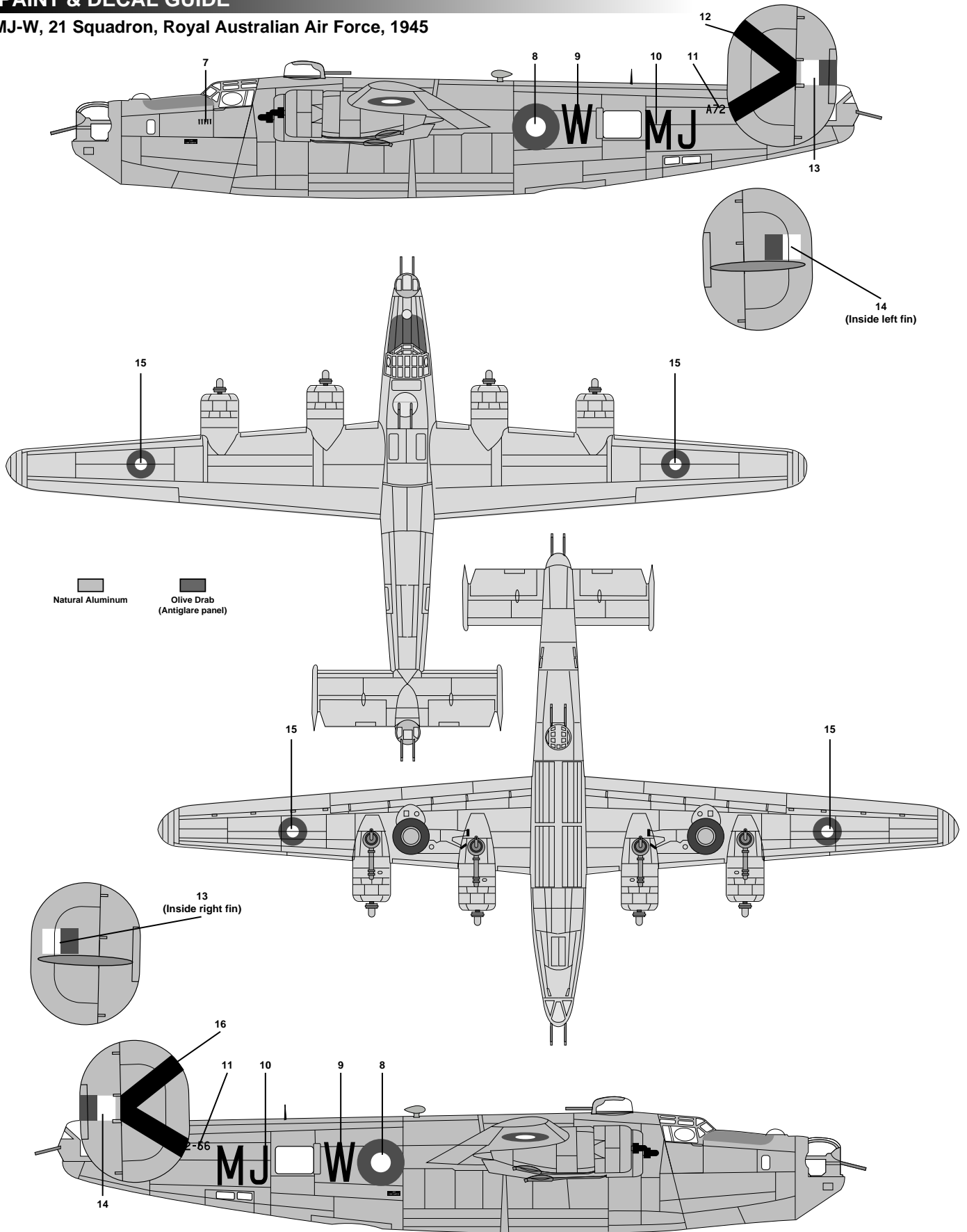
NOTE
This aircraft was fitted with leading edge
de-icing boots on all flying surfaces.



- Olive Drab: Model Master Enamel 1735 or Model Master Acrylic 4728
- Neutral Gray: Model Master Enamel 1725 or Model Master Acrylic 4757
- Med. Green: Model Master Enamel 1713 or Model Master Acrylic 4734
- Black: Model Master Enamel 1749 or Model Master Acrylic 4768

PAINT & DECAL GUIDE

MJ-W, 21 Squadron, Royal Australian Air Force, 1945



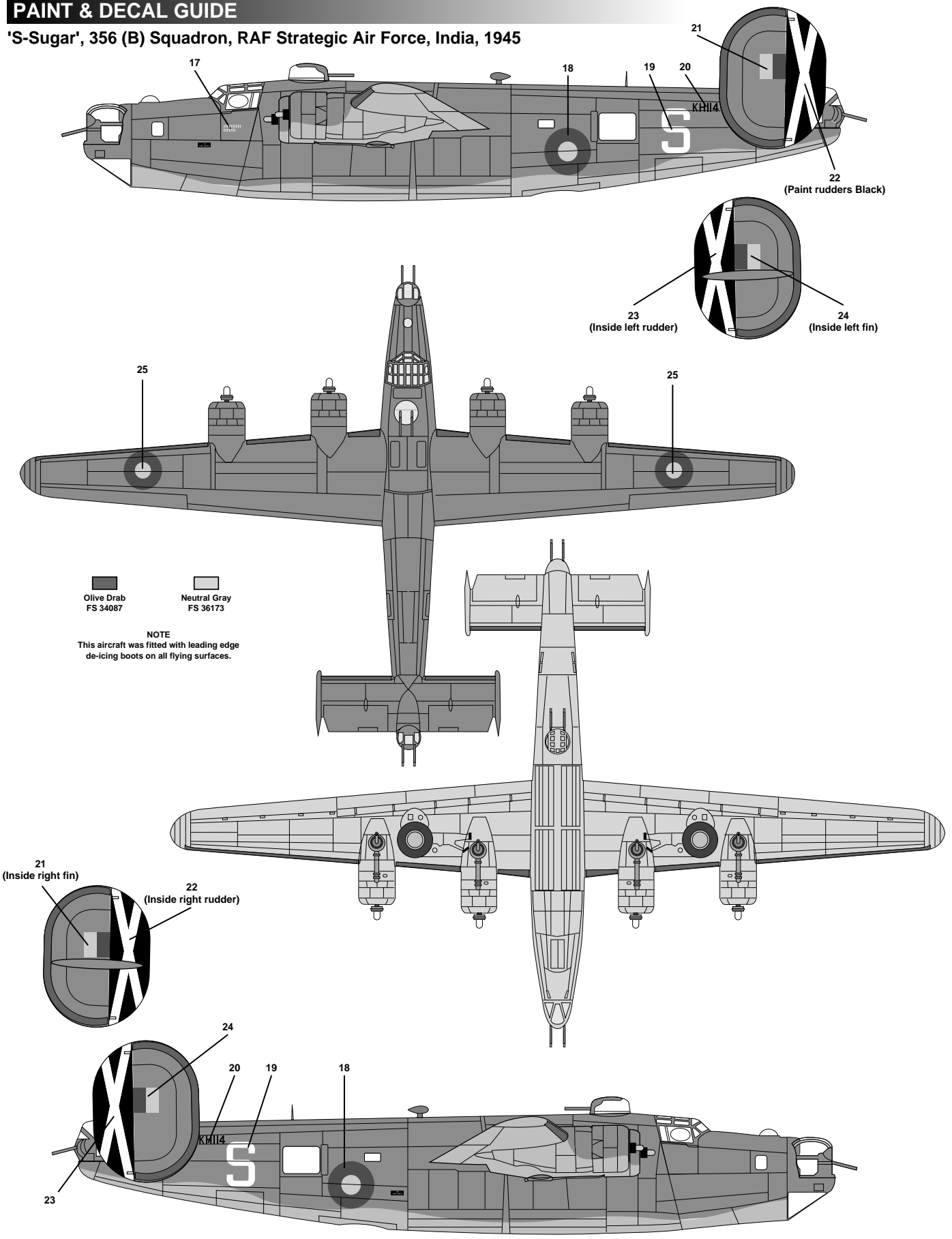
Natural Aluminum: Model Master Enamel 1781 or Model Master Acrylic 4677

Olive Drab: Model Master Enamel 1735 or Model Master Acrylic 4728

Black: Model Master Enamel 1749 or Model Master Acrylic 4768

PAINT & DECAL GUIDE

'S-Sugar', 356 (B) Squadron, RAF Strategic Air Force, India, 1945



Olive Drab: Model Master Enamel 1735 or Model Master Acrylic 4728
Neutral Gray: Model Master Enamel 1725 or Model Master Acrylic 4757
Black: Model Master Enamel 1749 or Model Master Acrylic 4768