

# 1/144 VC-32A Air Force Two



Loosely based 757-200 passenger aircraft this U.S. Government 757 assigned military designation of VC-32A carries senior officials on government business and is commonly used to transport the Vice President of the United States. This ETOPS equipped aircraft is capable of performing all of the command and control duties that might be-fall the second most important member of the United States Executive Branch of government.

Minicraft Models 1/144 scale plastic model assembly kit of the VC-32A features recessed panel lines, detailed engines and striking markings of the Presidential Aircraft including the American flag and United States of America markings.

14578



Cement  
Coller  
Kleben  
Pegar  
Incollare  
Colar  
Kleven



DO NOT Cement  
No pas Coller  
Nicht Kleben  
No Pegar  
Non incollare  
Nao Colar  
Niet Kleven

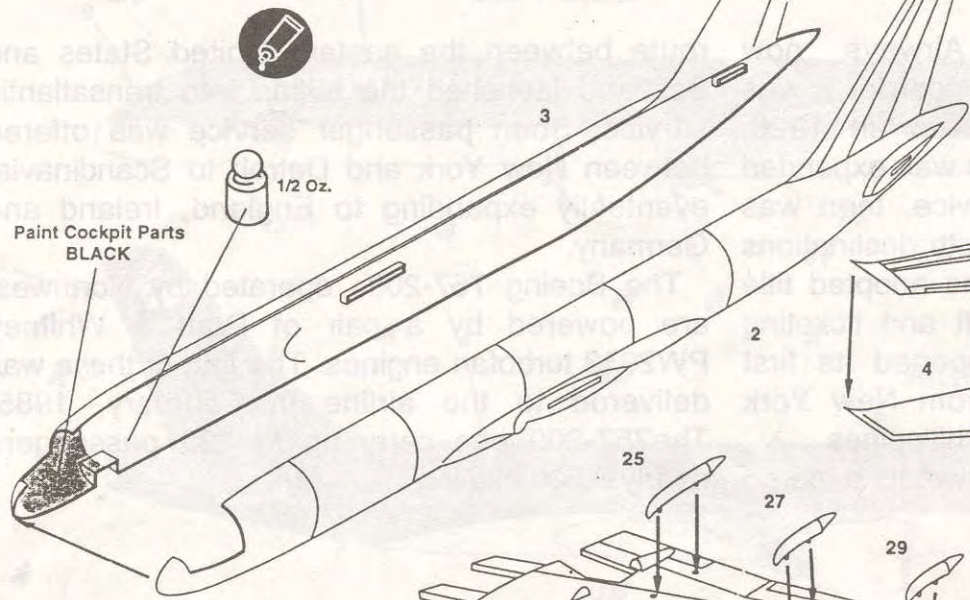


Cut away  
Couper  
Schneiden  
Cortar  
Tagliere  
Cortar  
Snijden

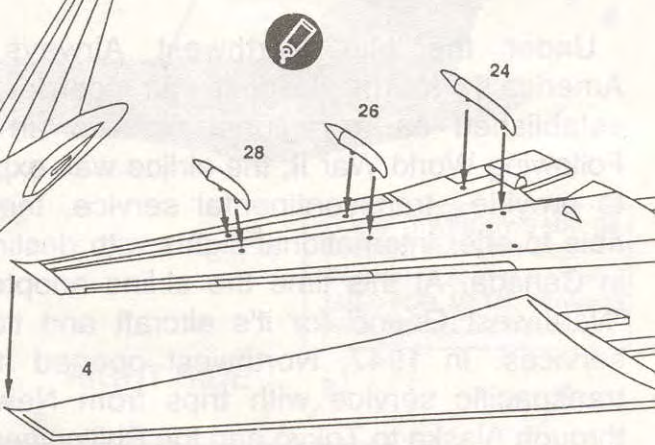


Optional parts  
Choix  
Auswahlmoglichkeit  
Eleccion  
Scelta  
Opaco  
Keuze

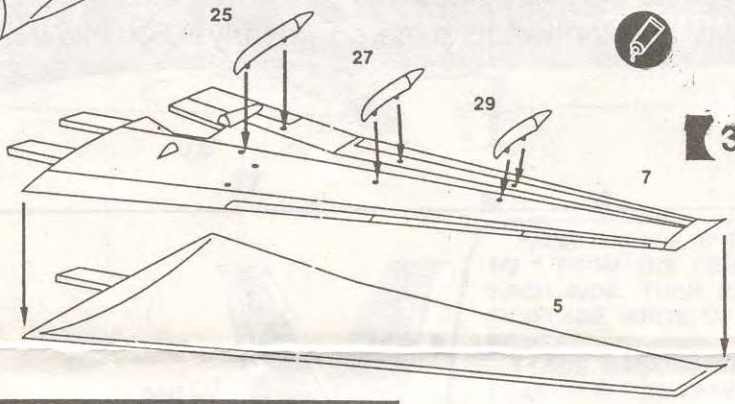
# 1 FUSELAGE ASSEMBLY



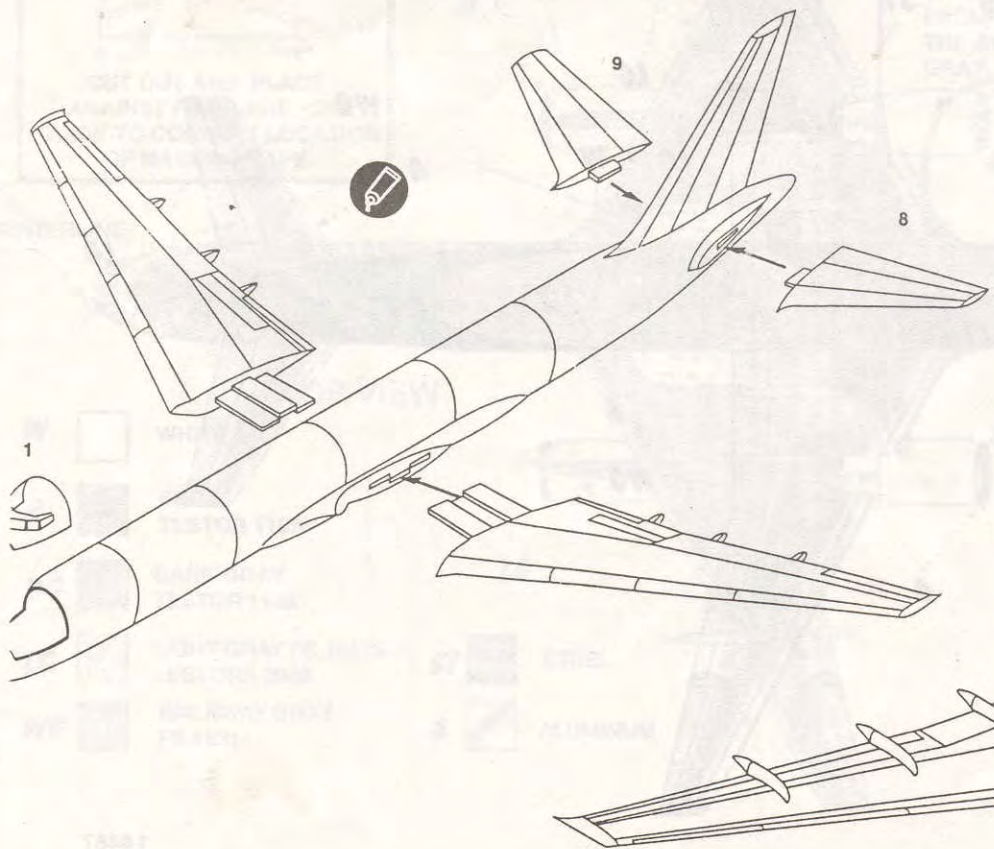
# 2 LEFT WING



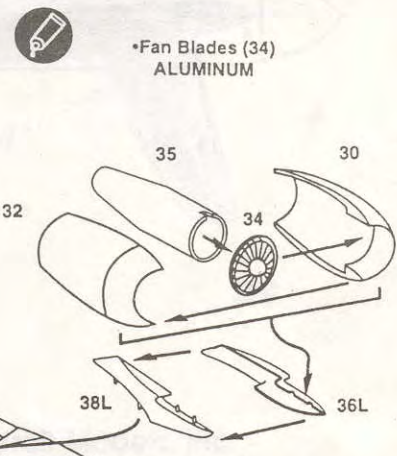
# 3 RIGHT WING



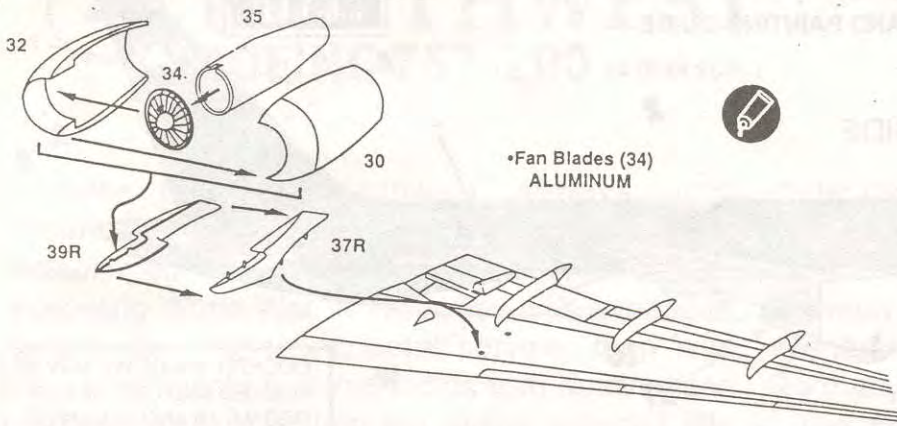
# 4 WING / FUSELAGE / STABILIZERS



# 5 LEFT ENGINE

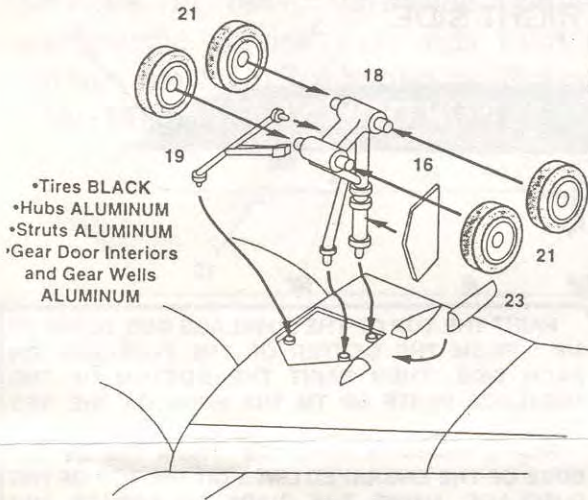


## 6 RIGHT ENGINE



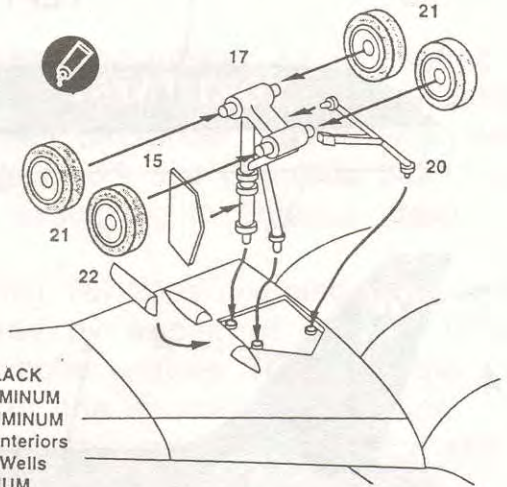
•Fan Blades (34)  
ALUMINUM

## 8 RIGHT MAIN LANDING GEAR



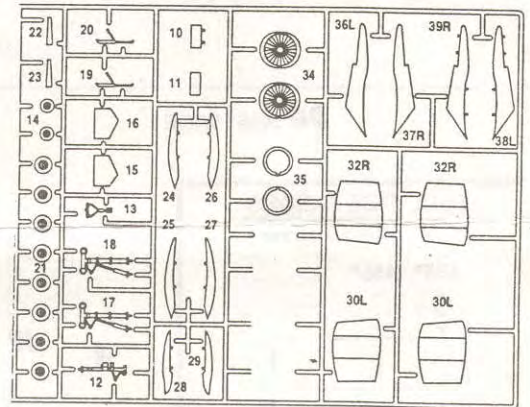
•Tires BLACK  
•Hubs ALUMINUM  
•Struts ALUMINUM  
•Gear Door Interiors  
and Gear Wells  
ALUMINUM

## 7 LEFT MAIN LANDING GEAR

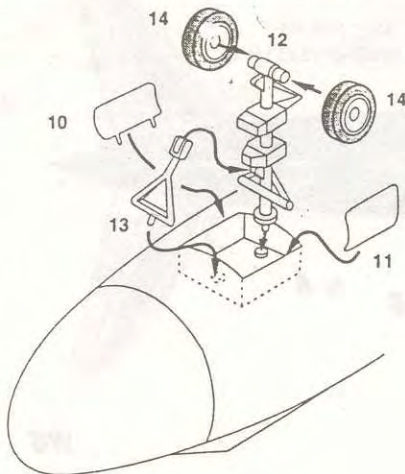


•Tires BLACK  
•Hubs ALUMINUM  
•Struts ALUMINUM  
•Gear Door Interiors  
and Gear Wells  
ALUMINUM

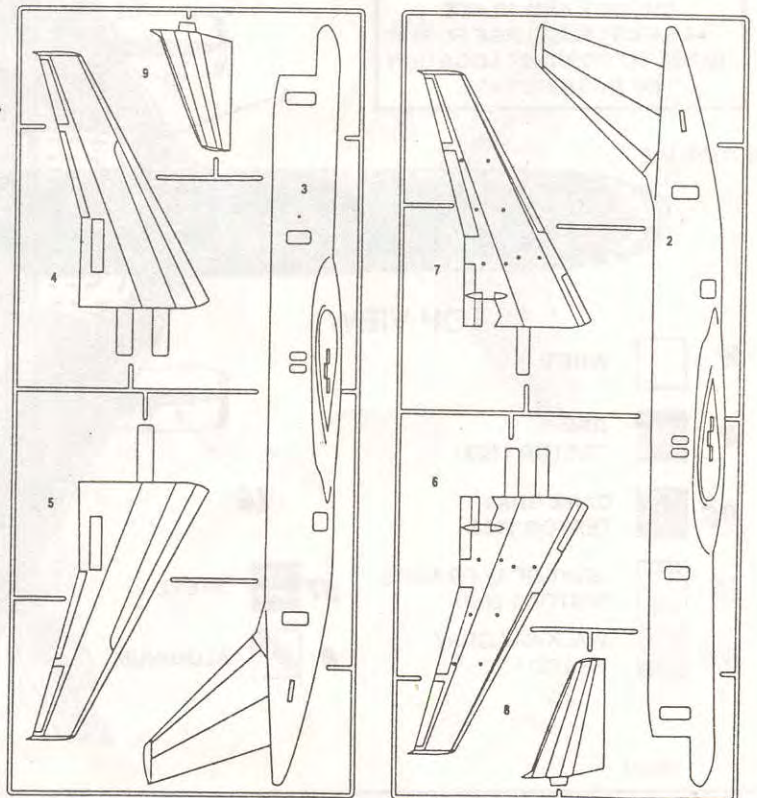
## PARTS LAYOUT DIAGRAM



## 9 NOSE LANDING GEAR



•Tires BLACK  
•Hubs ALUMINUM  
•Struts ALUMINUM  
•Gear Door Interiors  
and Gear Wells  
ALUMINUM

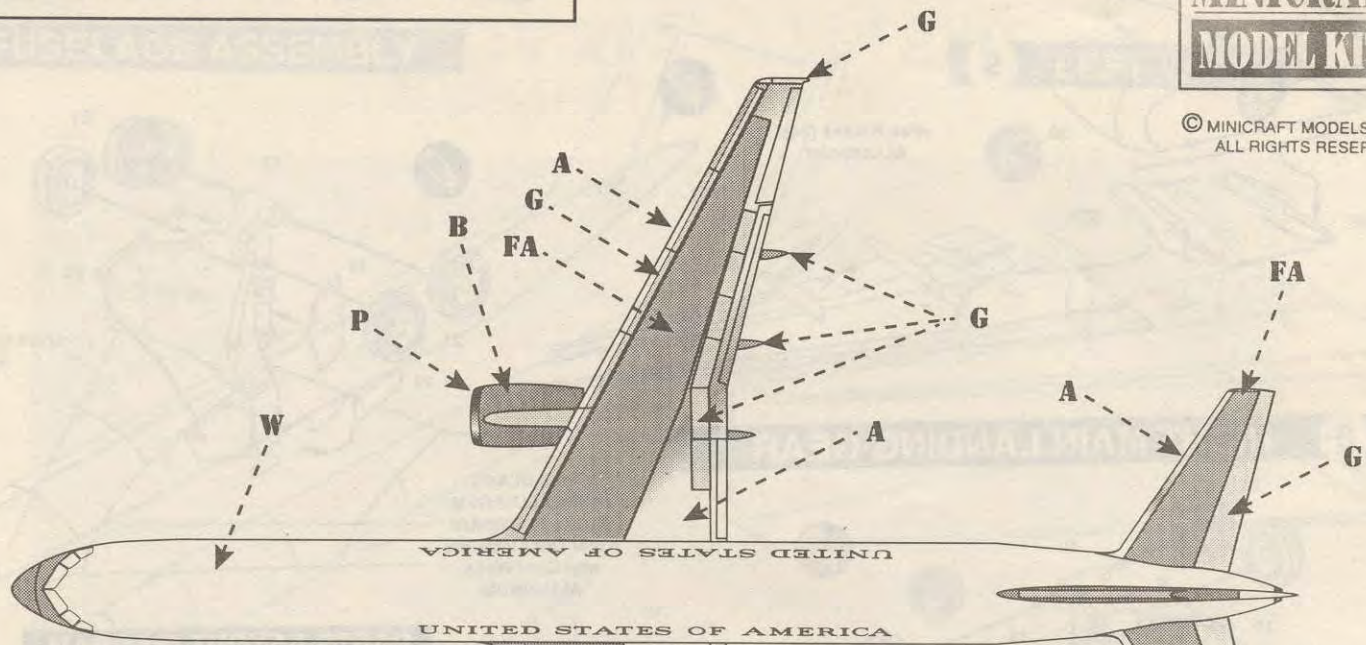







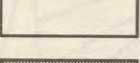
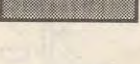
# U.S. AIR FORCE C-32A

## PAINTING AND DECAL DIAGRAM



© MINICRAFT MODELS 1999  
ALL RIGHTS RESERVED



- FA**  FLAT ALUMINUM
- G**  LIGHT GRAY
- A**  ALUMINUM
- S**  BURNT STEEL
- P**  POLISHED ALUMINUM
- W**  GLOSSY WHITE
- B**  BLUE (TESTOR 1108)

