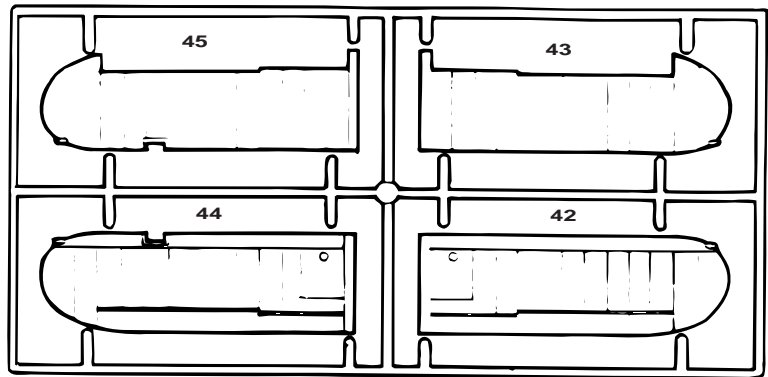
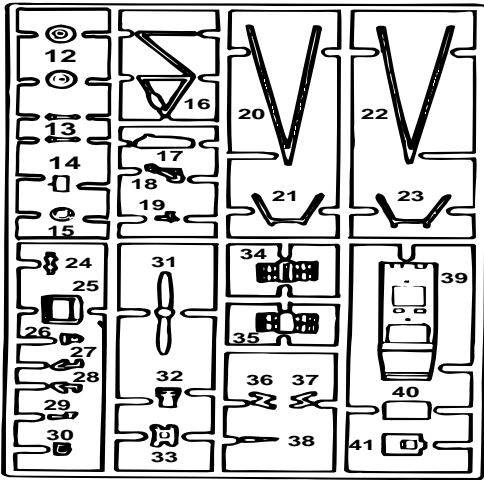
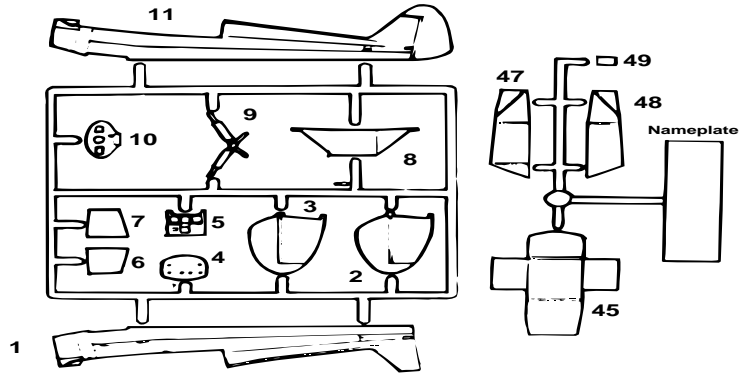




1/48 Scale Piper Super Cub





PARTS LAYOUT DIAGRAM





- 


Cement
Coller
Kleben
Pegar
Incollare
Colar
Kleven
- 

DO NOT Cement
Ne pas Coller
Nicht Kleben
No Pegar
Non Incollare
Nao Colar
Niet Kleven
- 

Cut away
Couper
Scheiden
Cortar
Tagliere
Cortar
Snijden
- 

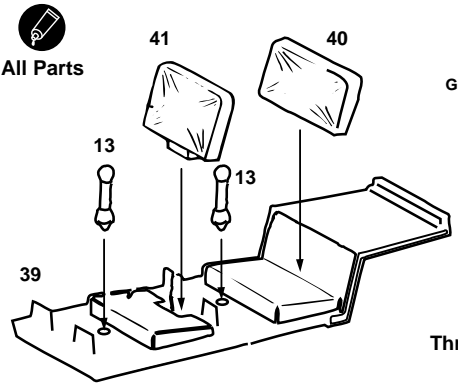
Optional parts
Choix
Auswahlmöglichkeit
Eleccion
Scelta
Opaco
Keuze
- 

Repeat operation
RŽpeeter l' opŽration
Vorgang wiederholen
Repitir la operacion
Ripetere
Repitir a operaāo
Herhalen
- 

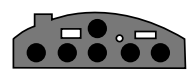
Symmetrical assembly
- 

Drill hole

1 INTERIOR

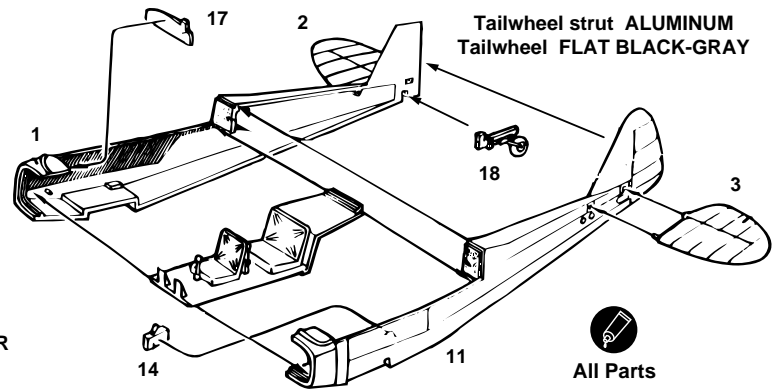


Instrument panel is
DARK GRAY with SILVER
and WHITE details and
GLOSS BLACK instrument faces



Interior DARK GRAY
Throttle console (14) SILVER

2 INTERIOR / FUSELAGE / STABILIZER ASSEMBLY

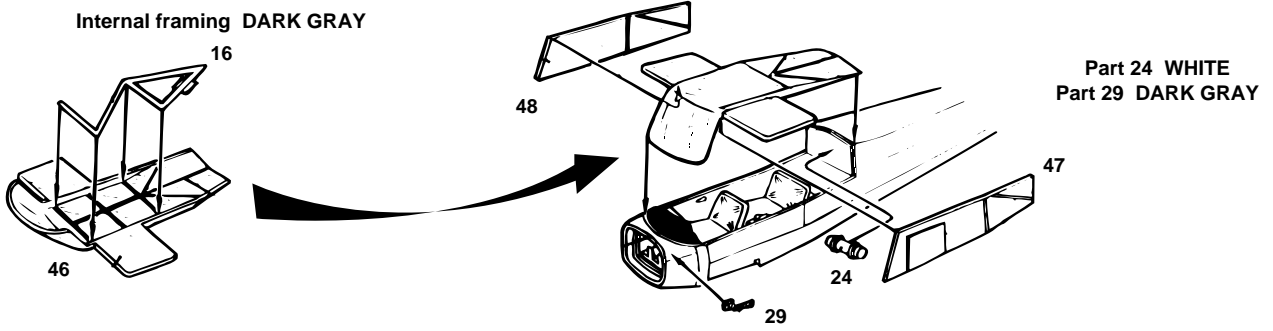


Tailwheel strut ALUMINUM
Tailwheel FLAT BLACK-GRAY

All Parts

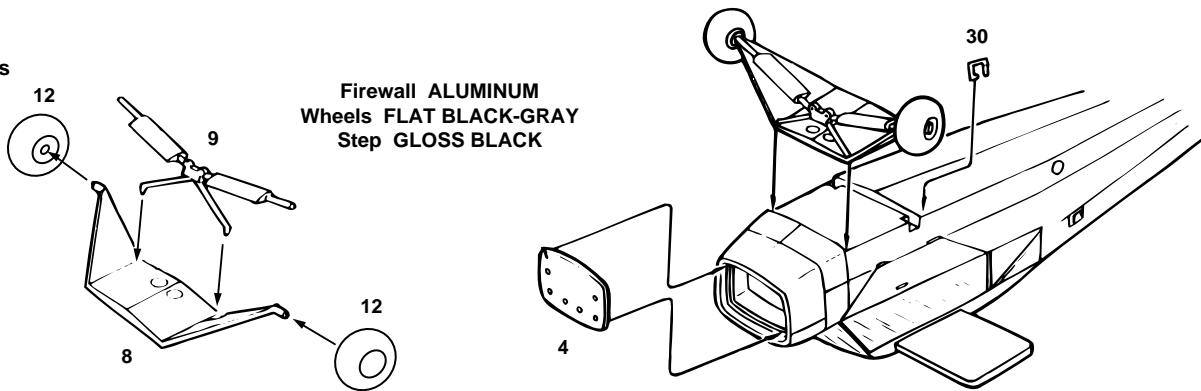
3 CANOPY ASSEMBLY AND MOUNTING

 All Parts



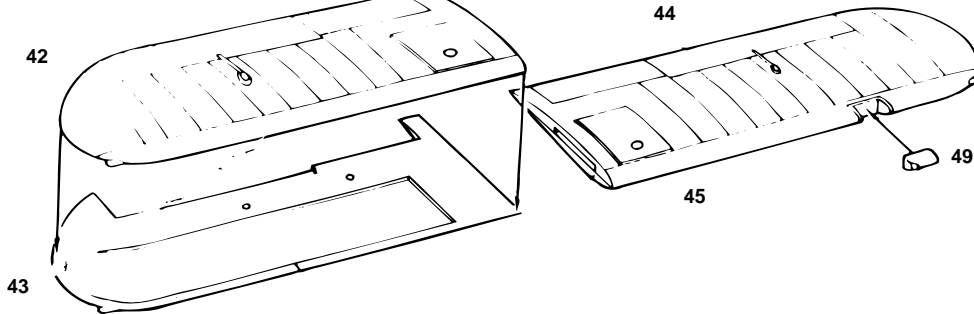
4 MAIN GEAR INSTALLATION

 All Parts



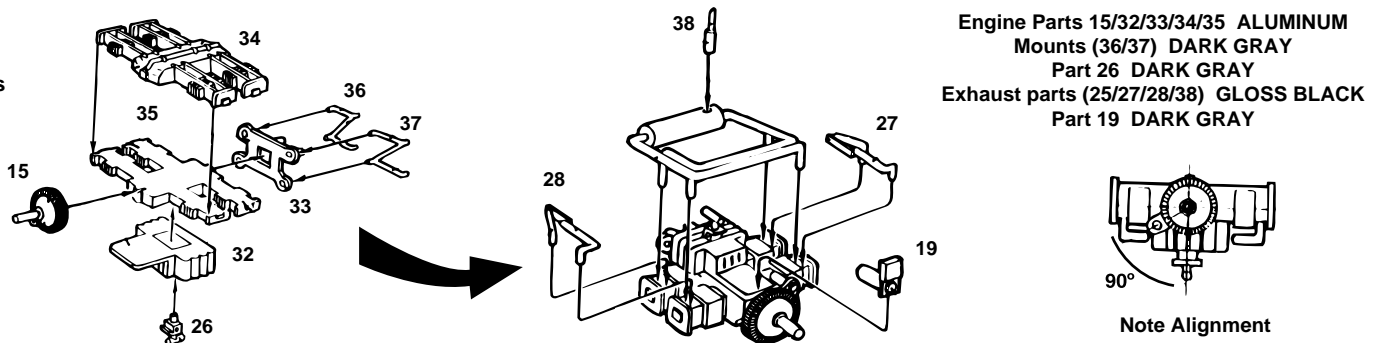
5 WINGS / LANDING LIGHT

 All Parts



6 ENGINE ASSEMBLY

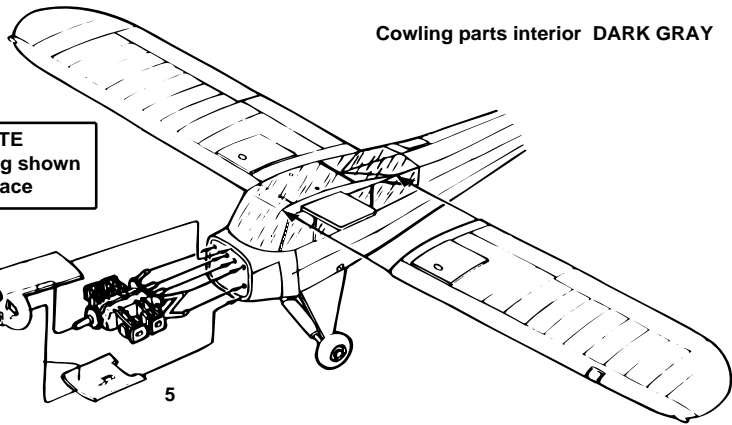
 All Parts



7 ENGINE & WING INSTALLATION



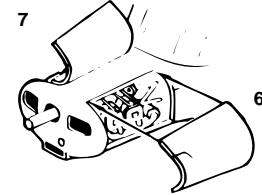
All Parts



NOTE
Right wing shown
in place

Cowling parts interior DARK GRAY

? Optional Exposed Engine

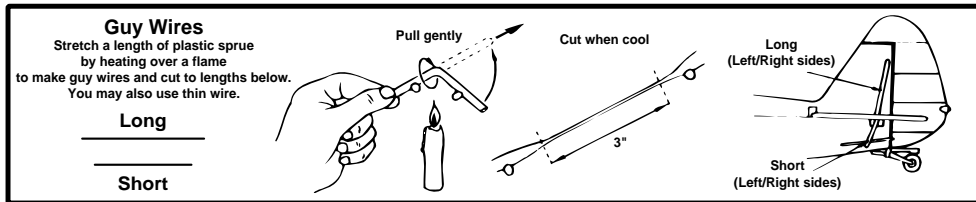


NOTE
Parts 6/7 may also be glued in place
in the closed position.

8 FINAL ASSEMBLY



All Parts



Guy Wires

Stretch a length of plastic sprue
by heating over a flame
to make guy wires and cut to lengths below.
You may also use thin wire.

Long

Short

Pull gently

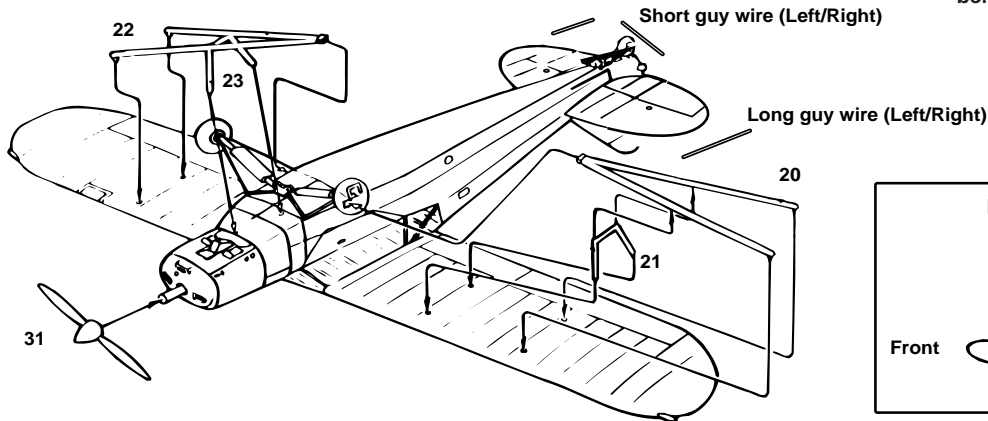
Cut when cool

Long
(Left/Right sides)

Short
(Left/Right sides)

Guy wires ALUMINUM
Propeller blades FLAT BLACK

Note: Best to apply decal
before step 8.



Short guy wire (Left/Right)

Long guy wire (Left/Right)

Note alignment



Decal Application Tips:

Use a sharp scissors or knife to cut individual decals from the carrier sheet.
Do not cut into the clear film surrounding the individual decals.

It is recommended that you apply one decal at a time.

Place the decal section in warm water, when first inserted in the water your decal will curl,
after approximately ten seconds the decal will uncurl. Remove from water and lay on a paper towel.
After approximately 10 - 20 seconds the decal will slide freely from the backing paper. Use a small brush to help
slide the decal from the backing paper and into position on the model.
Carefully blot excess water from the decal, using care not to move the decal or tear it.

If you choose to use a setting solution, apply a thin coat over the decal following the manufacturer's instruction.

Allow the decal to dry overnight. Wash any adhesive residue off the model with a small amount of clean water
and dry thoroughly. Apply clear a decal sealer following the instructions from the manufacturer.

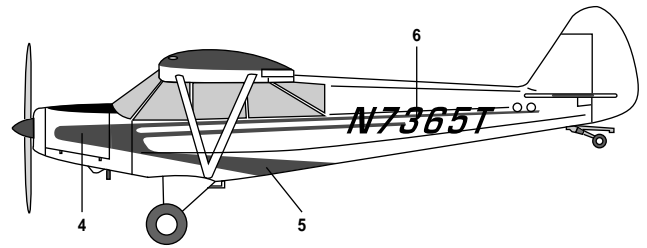
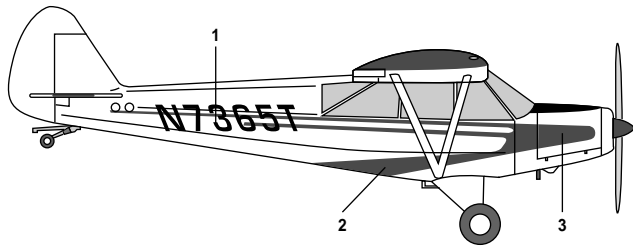
Minicraft Models, 1501 Commerce Dr, Elgin IL 60123. Ph: 847-429-9676
www.minicraftmodels.com

PAINT & DECAL GUIDE

All aircraft are overall Gloss White, except for Great Britain aircraft which is overall Cream. Silver or Black propeller blades. Extra decals are provided for the advanced modeler to change registration numbers to personalize the model for US, Canada and Germany.

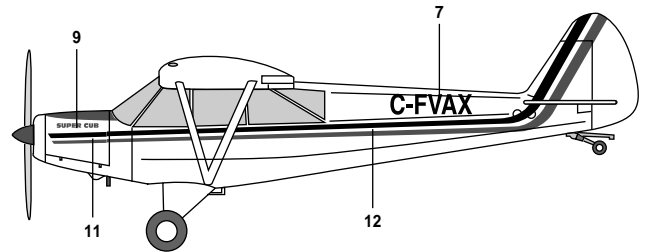
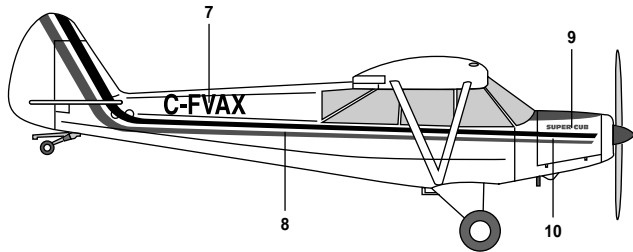
United States

Apply fuselage stripe decals 2/5, let dry, then apply registration numbers over the stripes.

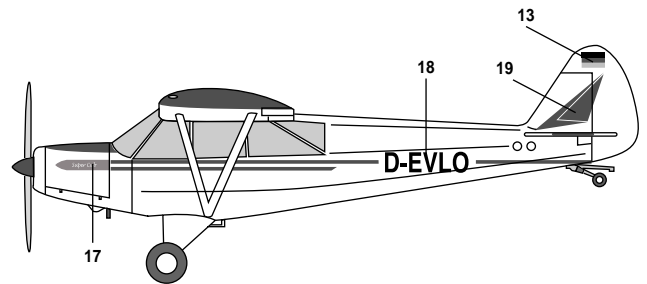
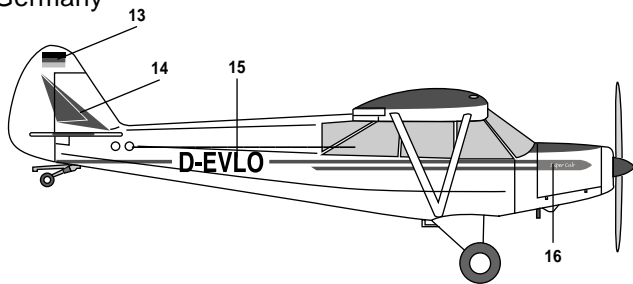


Canada

Apply fuselage stripe decals 8/12, BEFORE attaching horizontal stabilizers.



Germany



Great Britain

