

Bonanza



The Beechcraft Bonanza V-35 is known as the Cadillac of private aircraft because it provided the operator excellent performance, high speed, comfort and reliability. Over 17,000 were manufactured and thousands are in operation daily world-wide. With a flat 6 cylinder horizontally opposed engine the Bonanza V-35 can reach speeds of over 200 mph. Production of the V tail bonanza ended in 1982 but standard tail Bonanzas are still in production.

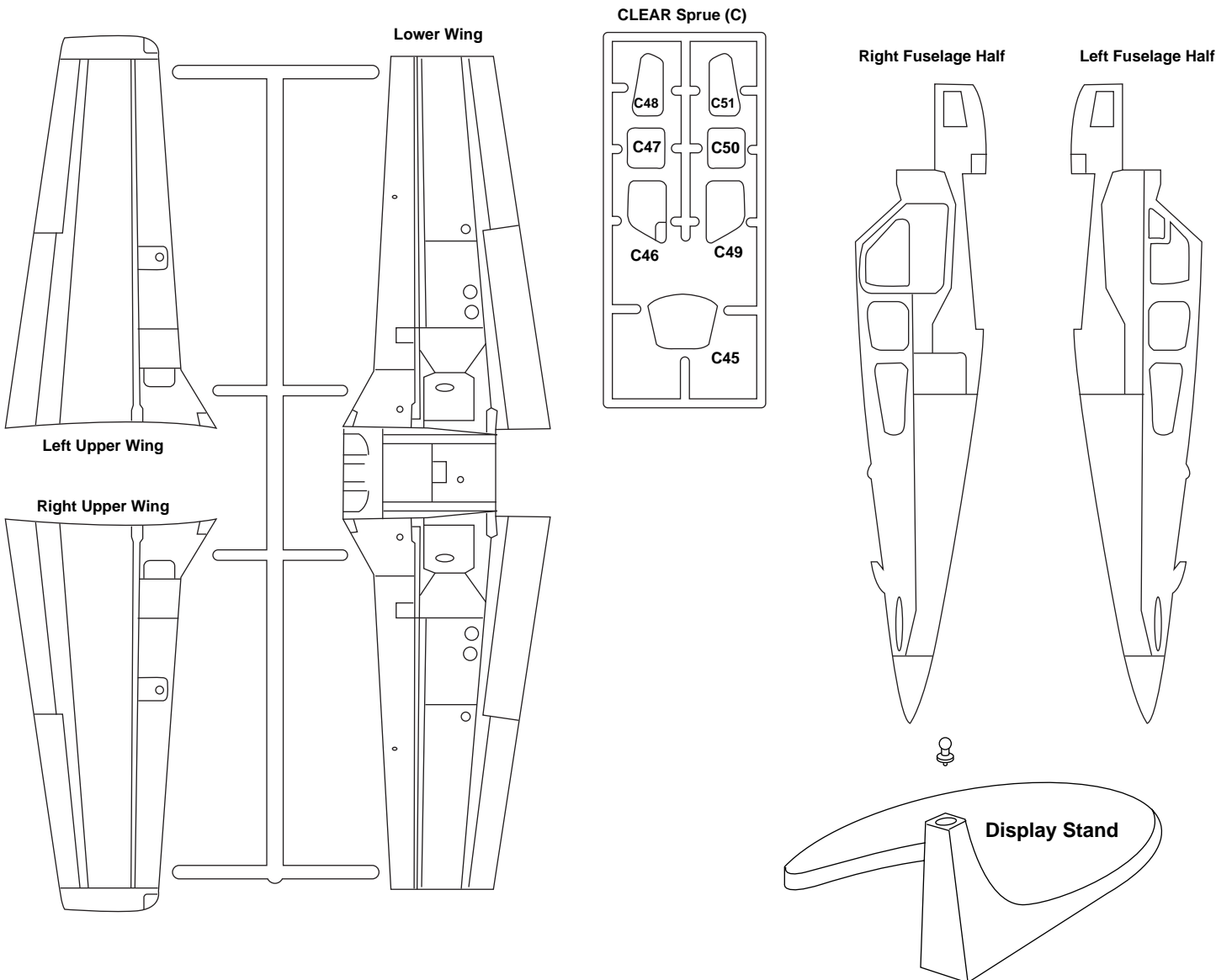
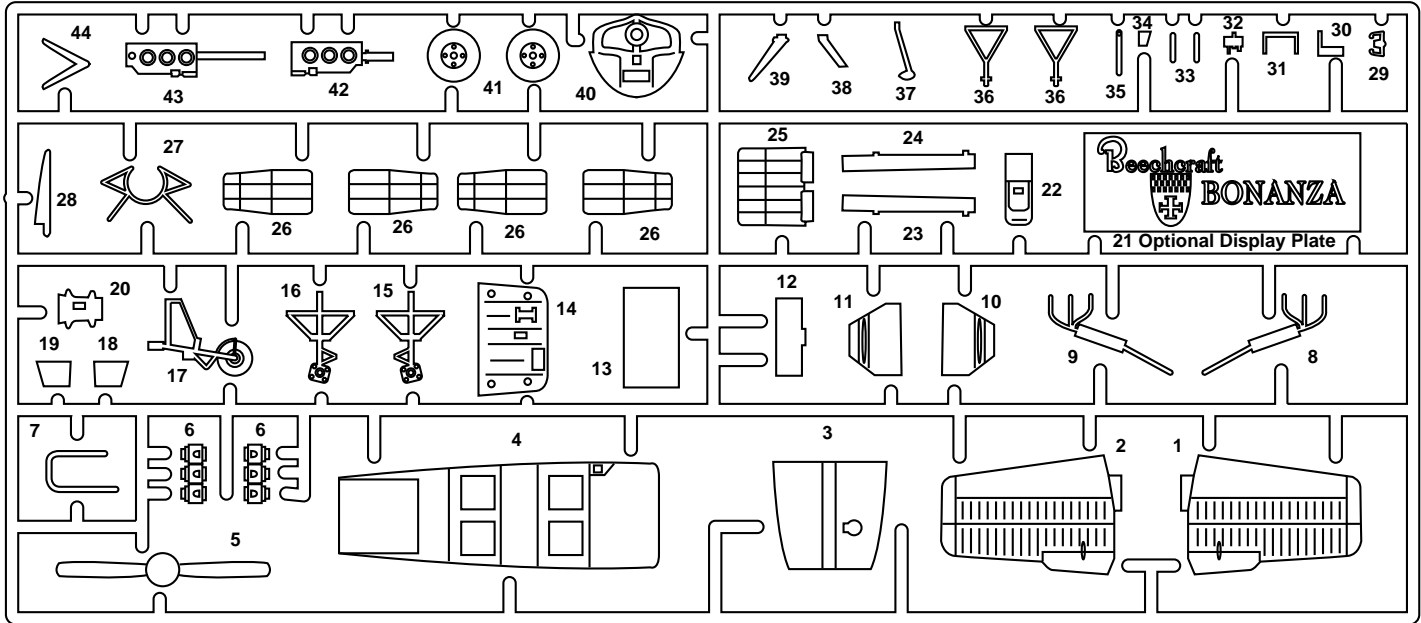
This kit is offered in the very popular 1/48 scale and features engine and interior detail. The new kit features new decals printed by Cartograf, with optional markings representing registration numbers for the United States, Canada, Germany and the United Kingdom.

Minicraft Models (US) LLC, 1501 Commerce Drive, Elgin IL 60123 USA

www.minicraftmodels.com

Printed in China

PARTS LAYOUT DIAGRAM





Cement
Coller
Kleben
Pegar
Incollare
Colar
Kleven



DO NOT Cement
Ne pas Coller
Nicht Kleben
No Pegar
Non Incollare
Nao Colar
Niet Kleven



Cut away
Couper
Scheiden
Cortar
Tagliere
Cortar
Snijden



Optional parts
Choix
Auswahlmöglichkeit
Eleccion
Scelta
Opaco
Keuze



Repeat operation
RŽpeeter l' opžracion
Vorgang wiederholen
Repitir la operacion
Ripetere
Repitir a operacao
Herhalen

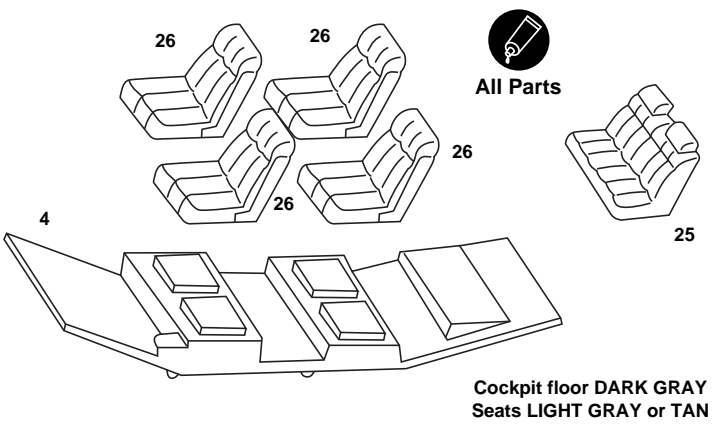


Symmetrical assembly

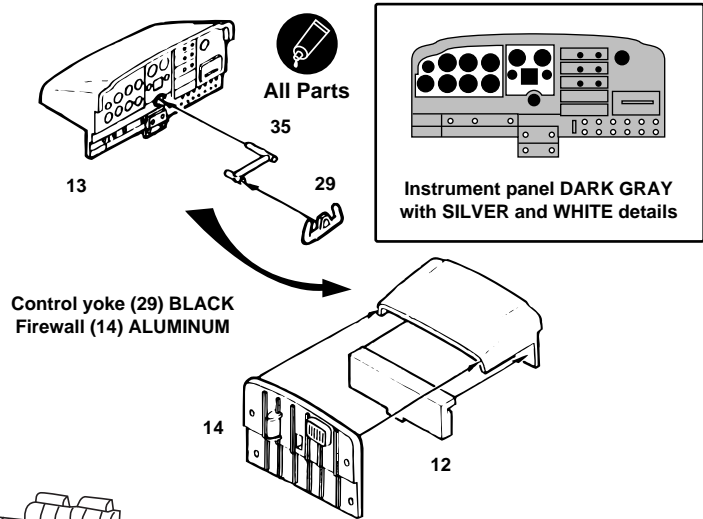


Drill hole

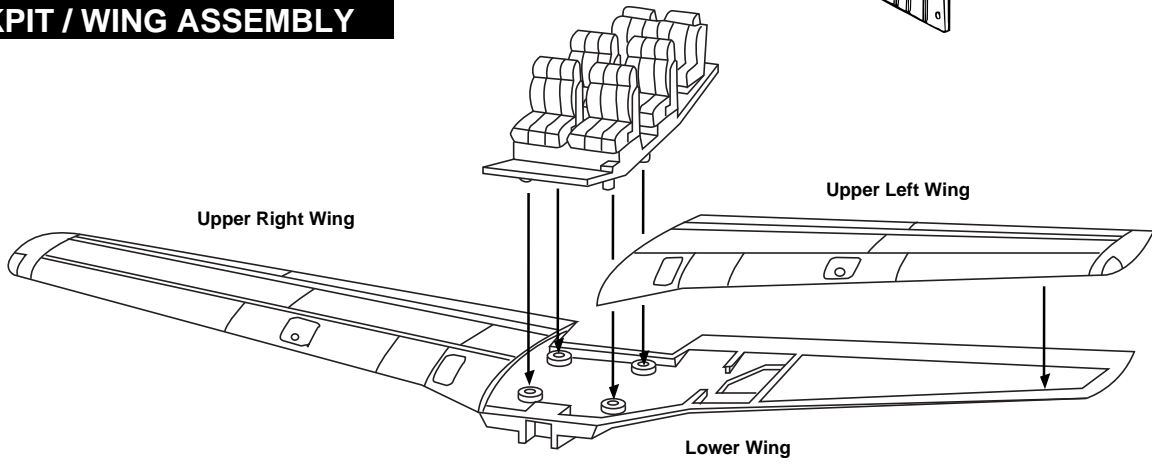
1 COCKPIT ASSEMBLY



2 INSTRUMENT PANEL



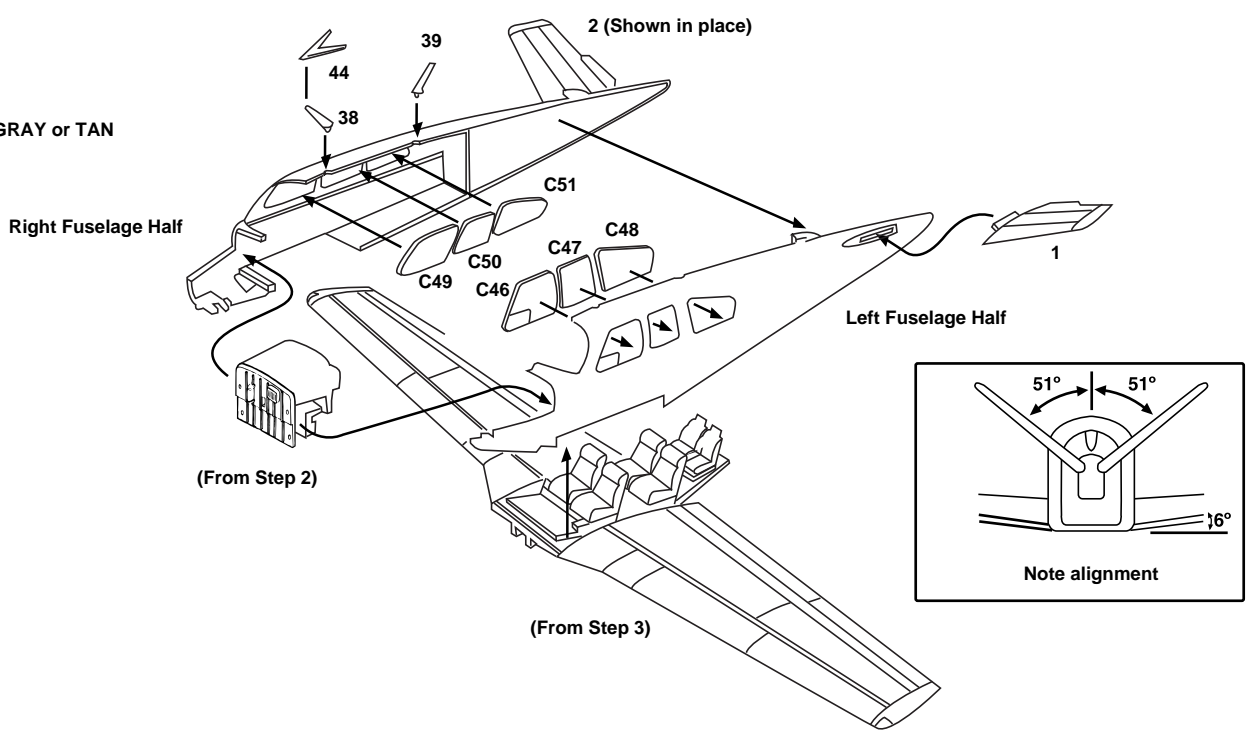
3 COCKPIT / WING ASSEMBLY



4 FUSELAGE ASSEMBLY



Interior LIGHT GRAY or TAN




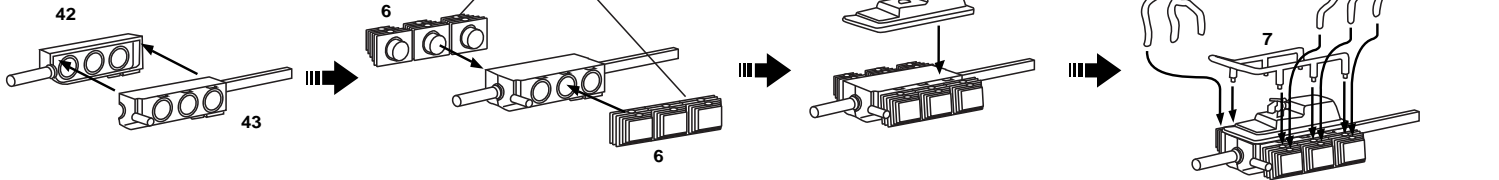
5 ENGINE ASSEMBLY



All Parts

Crankcase DARK GRAY
Cylinders ALUMINUM
Oil pan (22) FLAT BLACK
Exhausts BURNT METAL

NOTE

Assemble parts 6 with
round holes facing upward

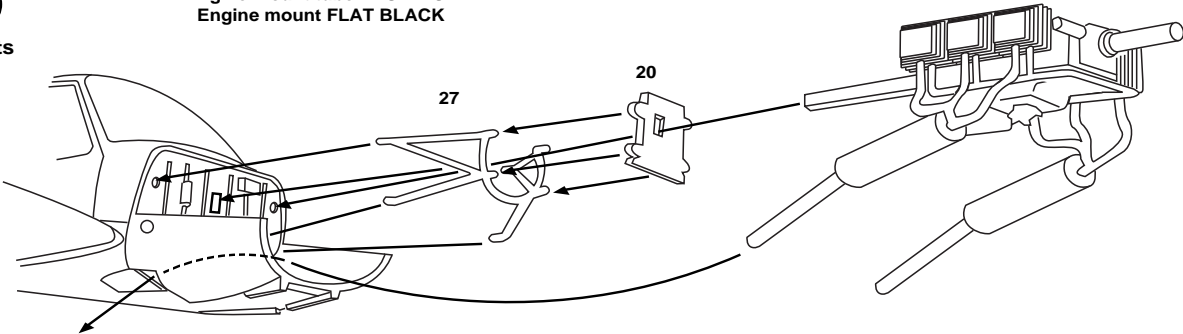


6 ENGINE INSTALLATION



All Parts

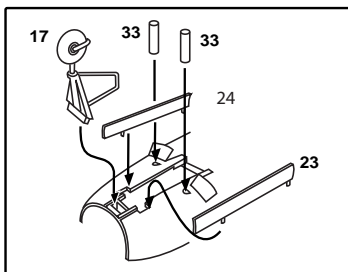
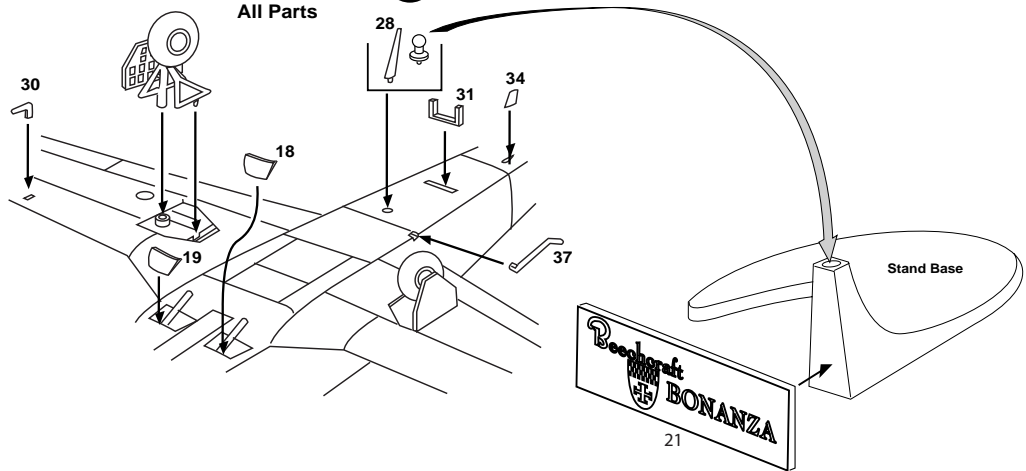
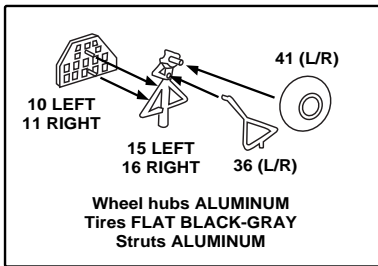
Engine mount tube ALUMINUM
Engine mount FLAT BLACK



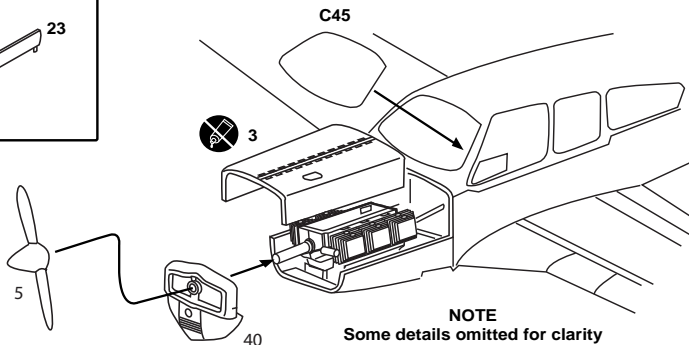
7 FINAL ASSEMBLY



All Parts



Wheel hub ALUMINUM
Tire FLAT BLACK-GRAY
Strut ALUMINUM
Exhausts BURNT METAL
Propeller blades FLAT BLACK

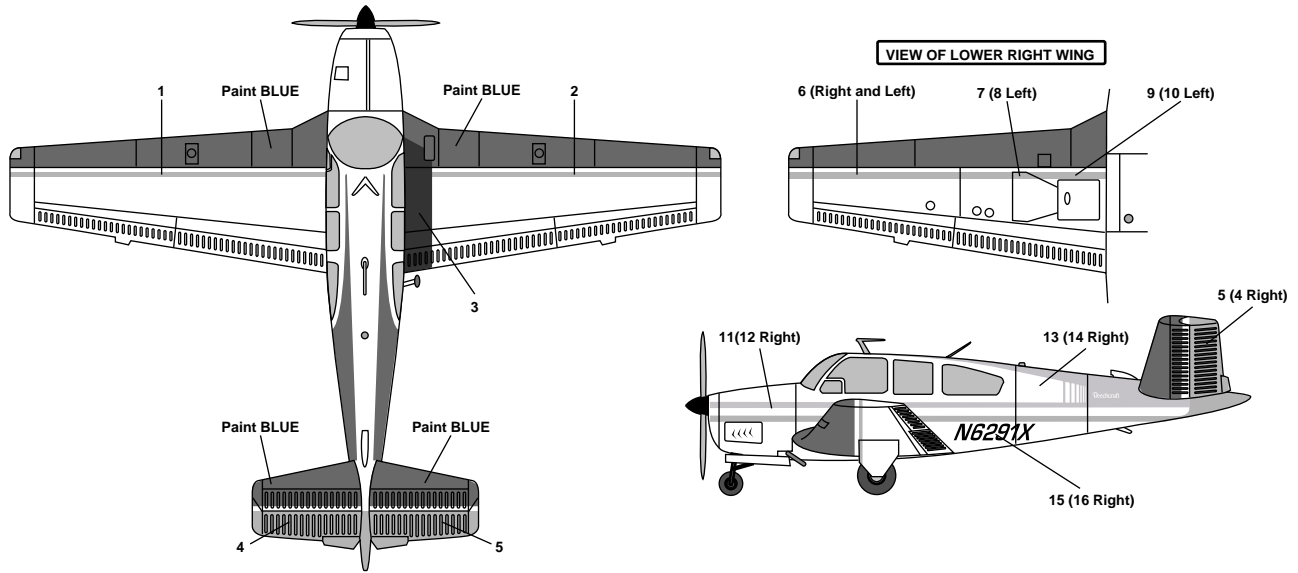


?
For retracted gear version,
glue gear doors 10/11/23/24
in closed position.

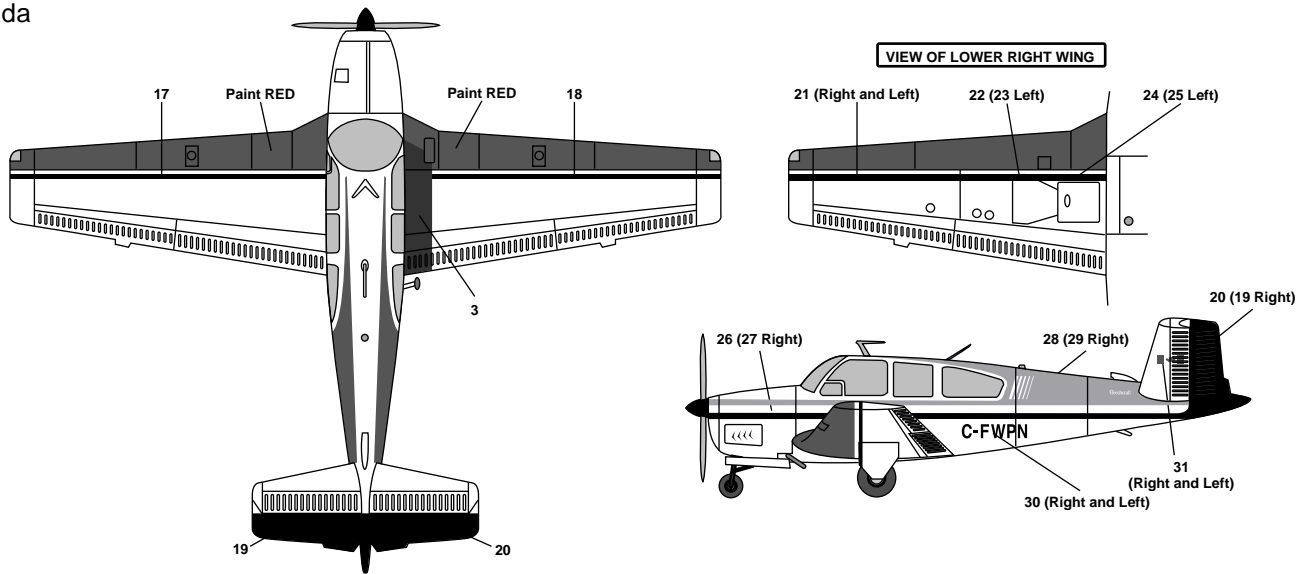
PAINT & DECAL GUIDE

All aircraft are overall Gloss White except as noted.

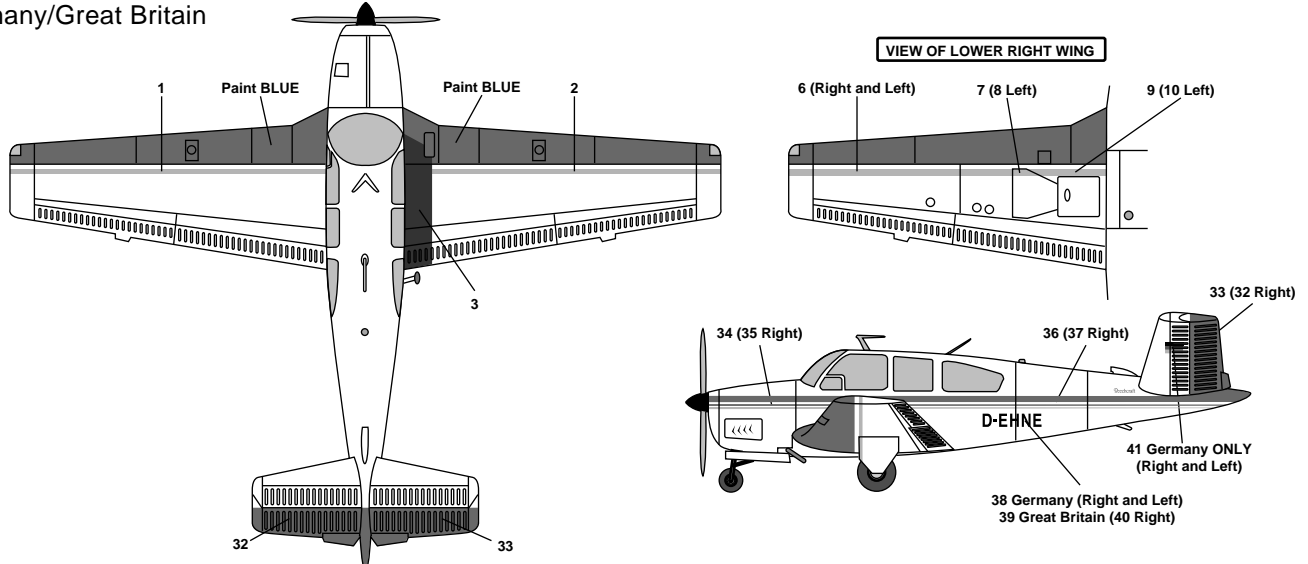
United States



Canada



Germany/Great Britain



Your Minicraft model includes high-quality waterslide decals. These decals adhere best to a glossy surface; and it is recommended that you apply a clear gloss coat over your painted model.

Use a sharp scissors or knife to cut individual decals from the carrier sheet. Do not cut into the clear film surrounding the individual decals.

* It is recommended that you apply one decal at a time.

* Place the decal section in warm water, when first inserted in the water your decal will curl, after approximately ten seconds the decal will uncurl. Remove from water and lay on a paper towel. After approximately 10 - 20 seconds the decal will slide freely from the backing paper. Use a small brush to help slide the decal from the backing paper and into position on the model. Carefully blot excess water from the decal, using care not to move the decal or tear it.

* If you choose to use a setting solution, apply a thin coat over the decal following the manufacturer's instruction.

* Allow the decal to dry overnight. Wash any adhesive residue off the model with a small amount of clean water and dry thoroughly.

* Apply clear gloss, matte or flat coat to seal decals following the instructions from the manufacturer.



Legends in the making™

Visit our Website-
www.minicraftmodels.com

Minicraft Models (US) LLC
1501 Commerce Drive
Elgin, IL 60123

Phone: 847-429-9676

Printed in China