

Civil Air Patrol Cessna 150



- Beautifully Detailed Interior!
- Removable Engine Cowling Displays Engine!
- Authentic Decal Sheet! • CAP Markings Included!

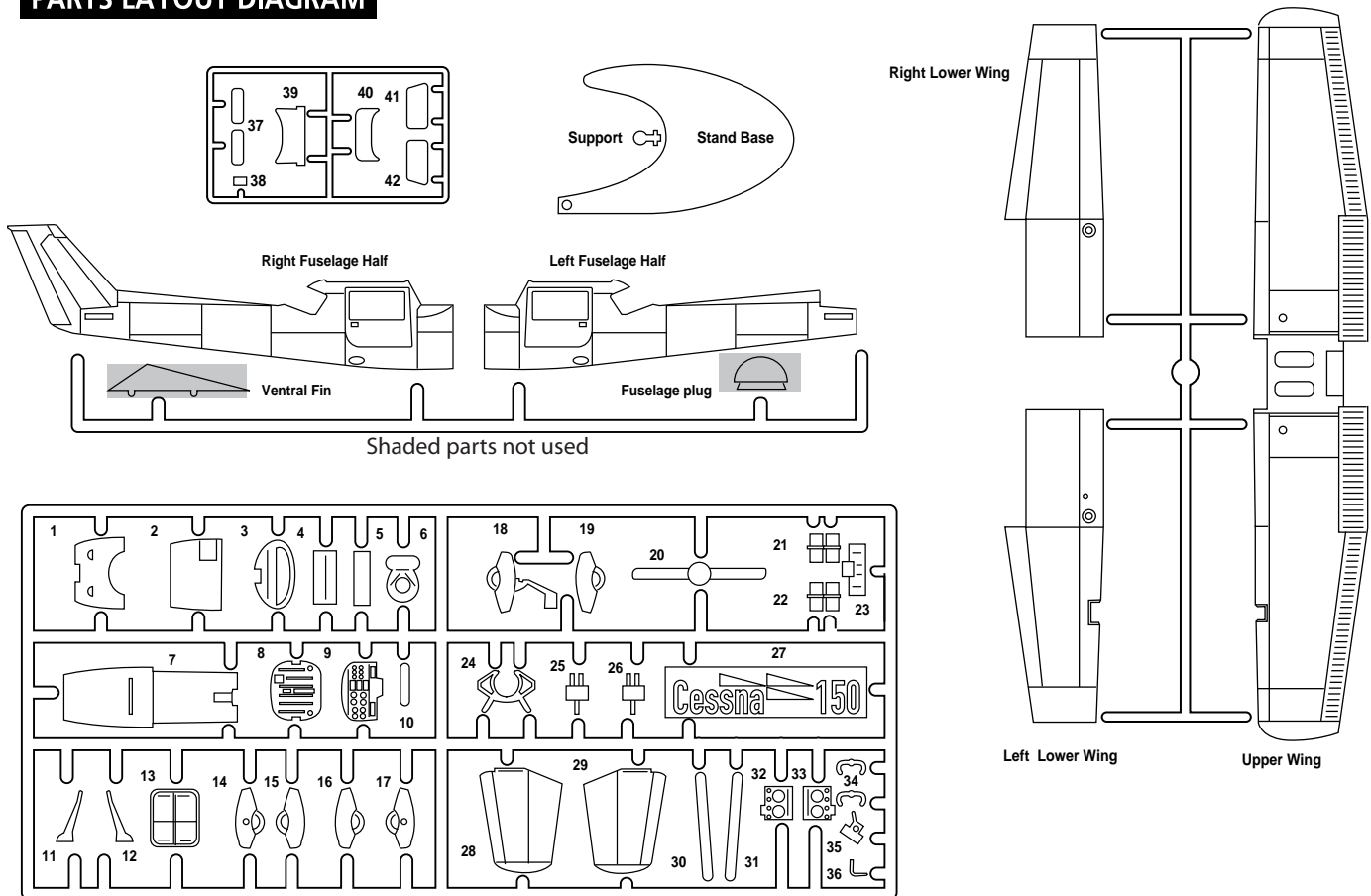


1/48
SCALE

MINICRAFT
MODEL KITS
Legends in the making™

The Cessna 150 is a common sight on most private airfields throughout the world. The Cessna 150 has been used extensively by civilian private aviation owners for many years and this unique Cessna depicts a colorful 150 used by the Civil Air Patrol in Kentucky. The civil Air Patrol is a volunteer US Air Force auxiliary organization that supports the mission of the United States Air Force by providing light transport, public relations and search and rescue duties. This new kit features detailed engine and interior and new markings for the unique CAP Cessna 150.

PARTS LAYOUT DIAGRAM





Cement
Coler
Kleben
Pegar
Incollare
Colar
Kleven



DO NOT Cement
Ne pas Coler
Nicht Kleben
No Pegar
Non Incollare
Nao Colar
Niet Kleven



Cut away
Couper
Scheiden
Cortar
Tagliere
Cortar
Snijden



Optional parts
Choix
Auswahlmöglichkeit
Elección
Scelta
Opaco
Keuze



Repeat operation
RZpeeter l' opZration
Vorgang wiederholen
Repitir la operacion
Ripetere
Repitir a operacao
Herhalen



Symmetrical assembly

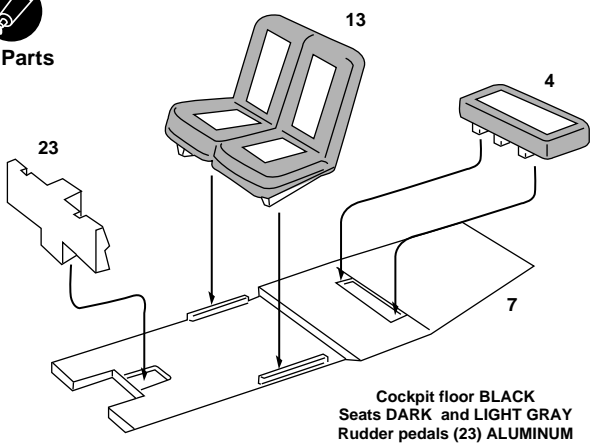


Drill hole

1 COCKPIT ASSEMBLY



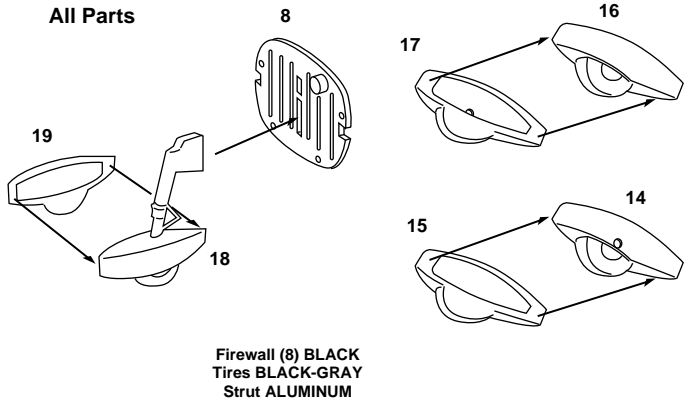
All Parts



2 LANDING GEAR ASSEMBLY



All Parts

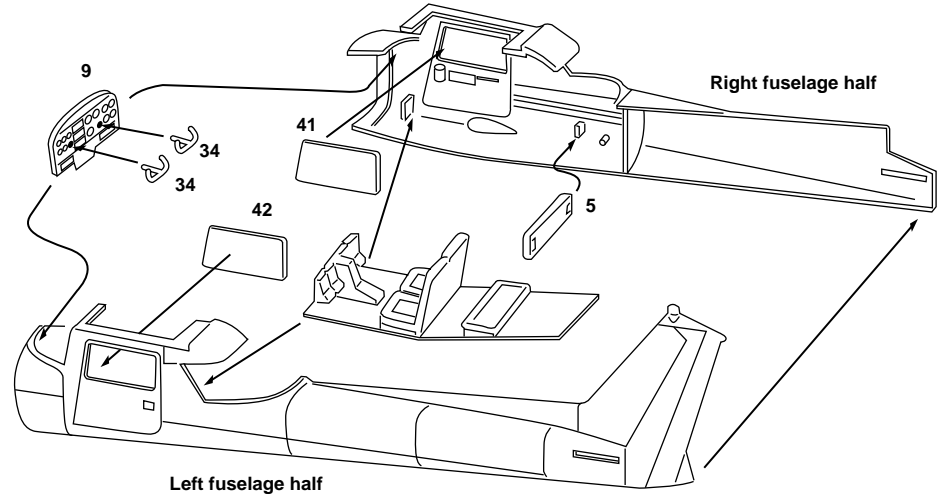
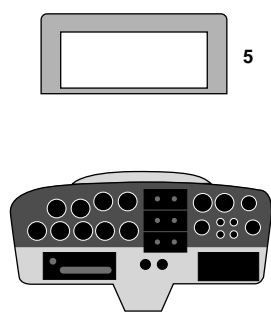


3 FUSELAGE ASSEMBLY



All Parts

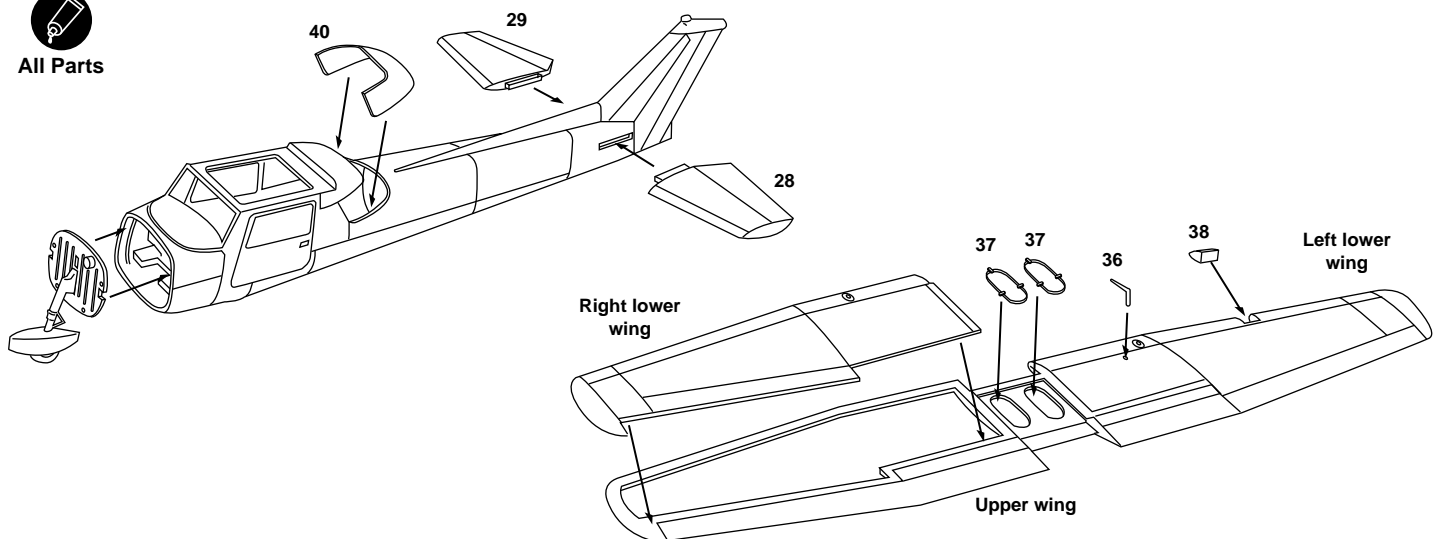
Seat back (5) DARK and LIGHT GRAY
Interior LIGHT GRAY
Instrument panel BLACK-GRAY
with SILVER and BLACK details
Control wheels BLACK



4 NOSE GEAR AND STABILATOR MOUNTING, WING ASSEMBLY



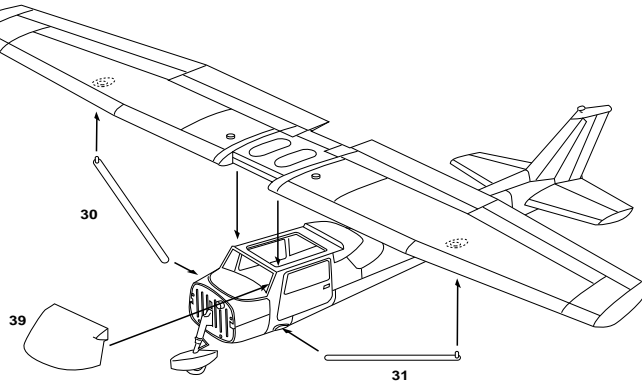
All Parts



5 WINGS, STRUTS AND WINDSHIELD MOUNTING



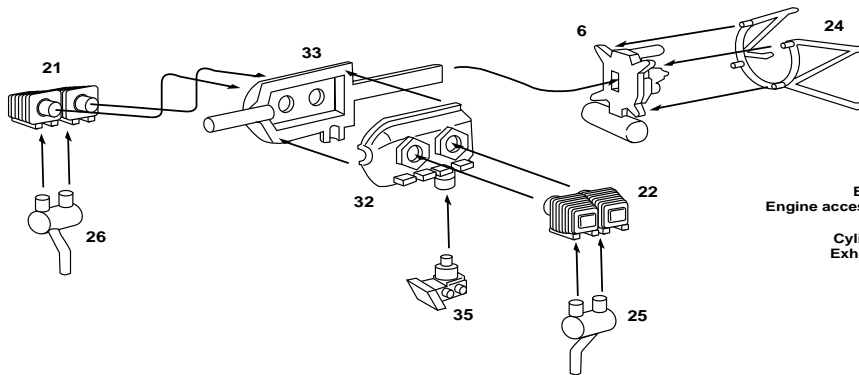
All Parts



6 ENGINE ASSEMBLY



All Parts

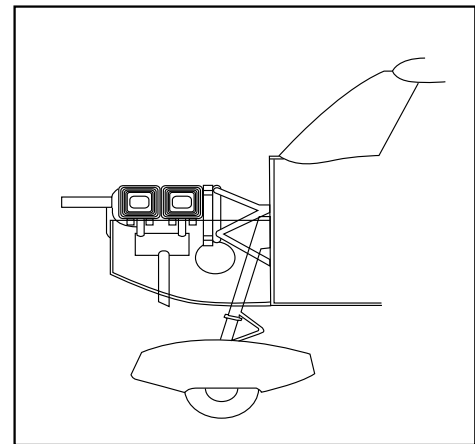
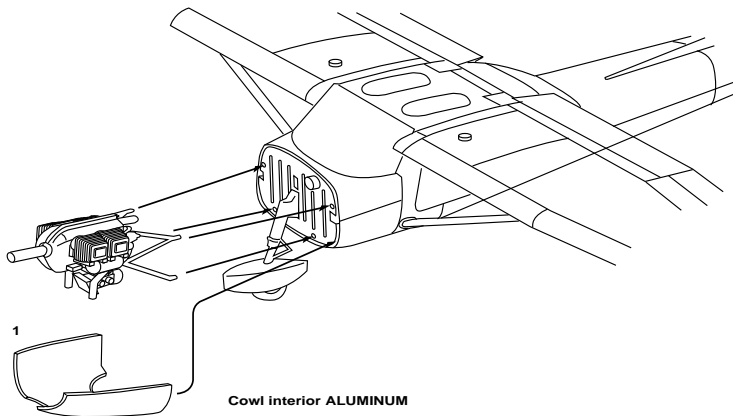


Engine mount (24) BLACK
 Engine accessories (6) , block (32/33) GUNMETAL
 Carburetor (35) BLACK
 Cylinders (21/22) BLACK-GRAY
 Exhausts (25/26) BURNT METAL

7 ENGINE / LOWER COWL INSTALLATION



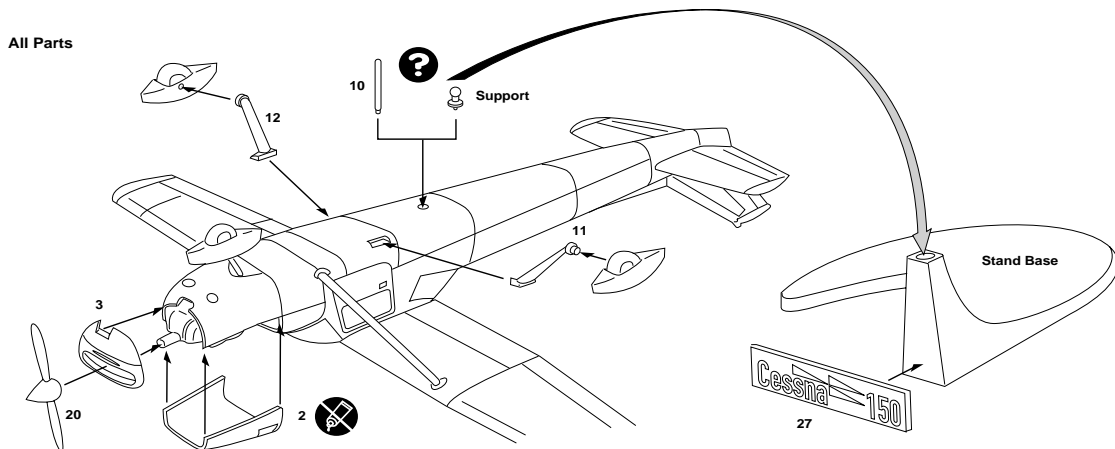
All Parts



8 FINAL ASSEMBLY / OPTIONAL STAND

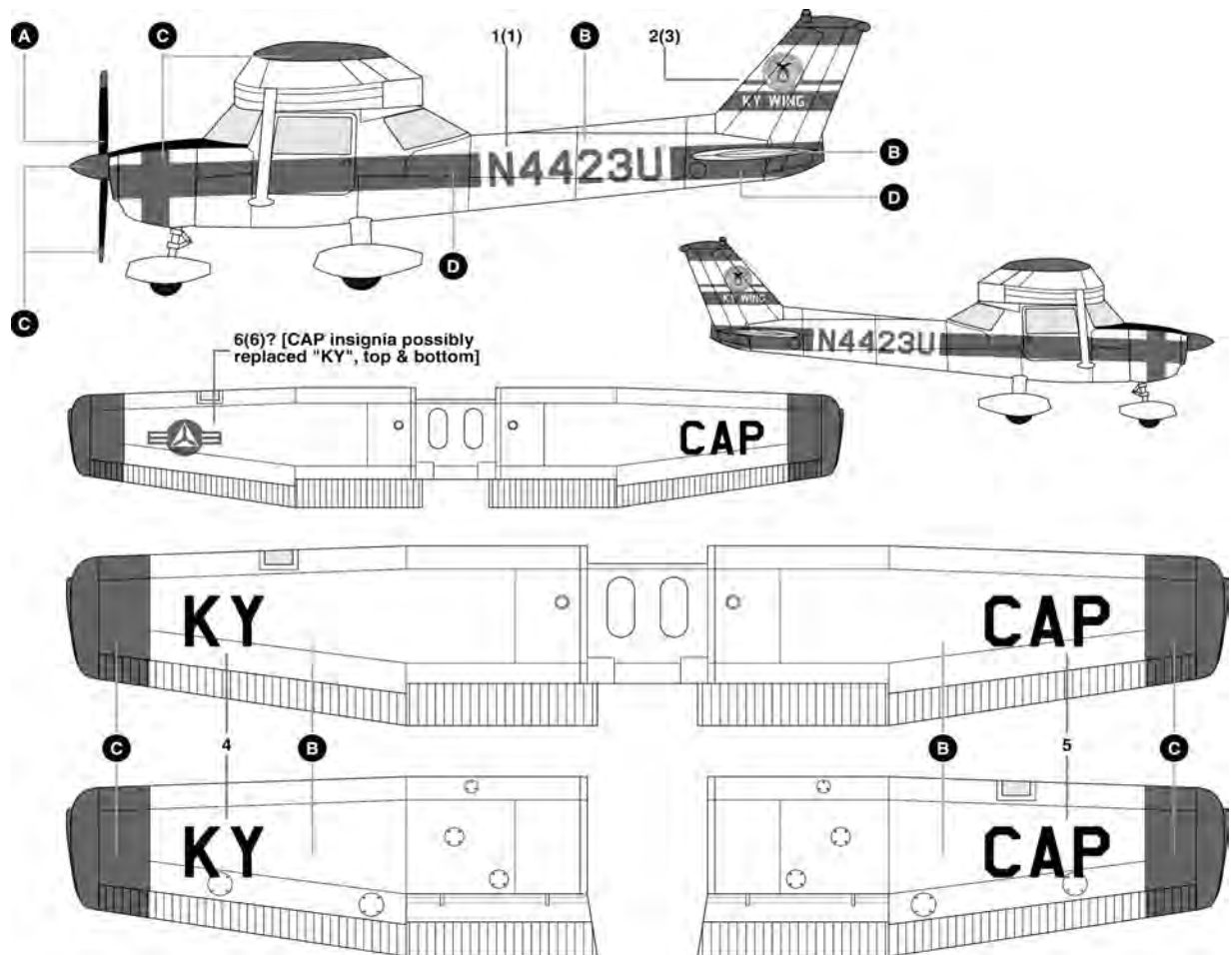


All Parts



✦ Cowl part interiors
 ALUMINUM

U.S. Civil Air Patrol, Kentucky Wing, 1979



PAINTS

A Black (ModelMaster 1749, Acryl 4768)

B White (ModelMaster 1745, Acryl 4696)

C Red FS11350 (ModelMaster 2719, Acryl 4631)

D Blue FS15052 (ModelMaster 2727, Acryl 4661)

Decal Tips:

Your Minicraft model includes high-quality waterslide decals. These decals adhere best to a glossy surface; and it is recommended that you apply a clear gloss coat over your painted model.

Use a sharp scissors or knife to cut individual decals from the carrier sheet. Do not cut into the clear film surrounding the individual decals.

* It is recommended that you apply one decal at a time.

* Place the decal section in warm water, when first inserted in the water your decal will curl, after approximately ten seconds the decal will uncurl. Remove from water and lay on a paper towel. After approximately 10 - 20 seconds the decal will slide freely from the backing paper. Use a small brush to help slide the decal from the backing paper and into position on the model. Carefully blot excess water from the decal, using care not to move the decal or tear it.

* If you choose to use a setting solution, apply a thin coat over the decal following the manufacturer's instruction.

* Allow the decal to dry overnight. Wash any adhesive residue off the model with a small amount of clean water and dry thoroughly.

* Apply clear gloss, matte or flat coat to seal decals following the instructions from the manufacturer.