



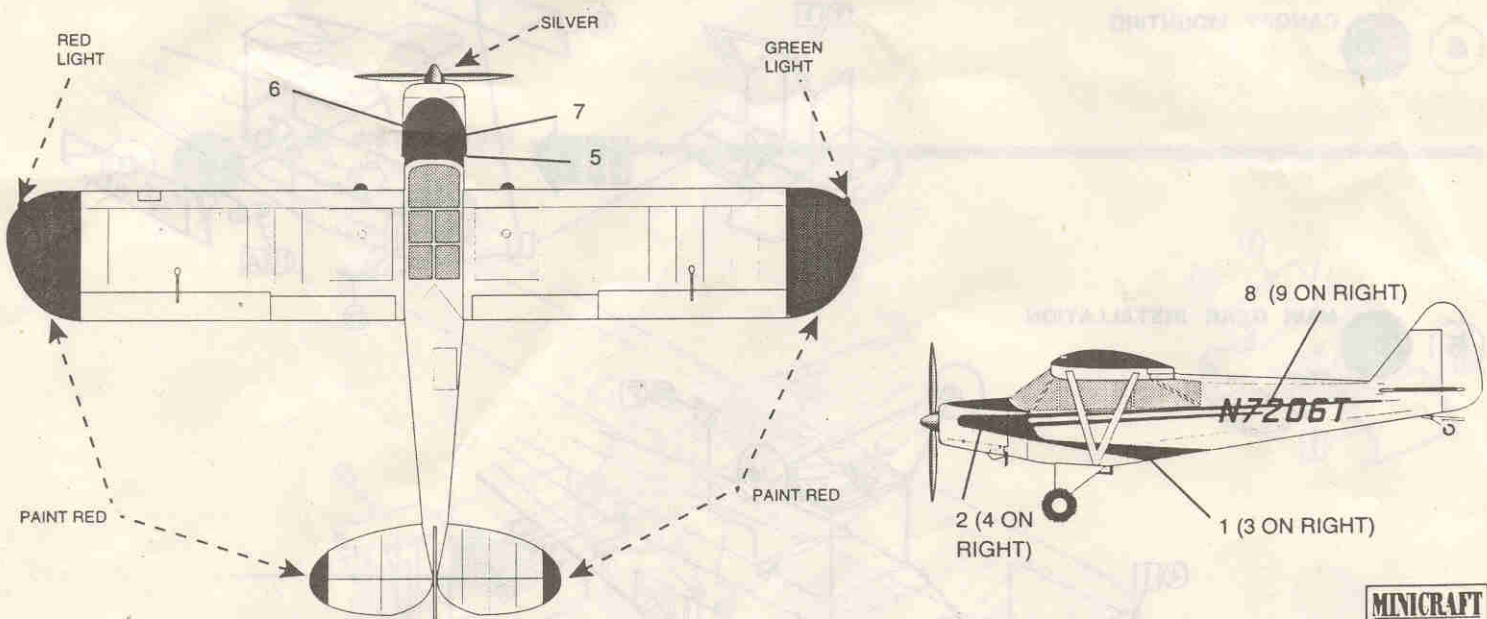
1/48 scale

PIPER SUPER CUB PA 18

The Piper PA-18 Super Cub was first introduced in 1949, and holds the record for continuous production (over 22 years) for tandem two-place aircraft. It was the final development of the famous Piper Cub, which was originally certified in February, 1934, as the Taylor "Cub".

The PA-18 version was developed for crop dusting, and two other models were used by the military as the L-18 and L-21 observation scouts. The Super Cub was able to handle more powerful engines than the earlier Cub, up to 150 hp. With a range of 500 miles, the Super Cub could travel nearly twice as far on a tankful than the older model.

With a top speed of 130 mph, the Super Cub was not fast, but it was quite enjoyable to fly, and a very popular machine among sportsmen pilots. It could be fitted with floats or skis, and could be easily repaired if damaged. Service ceiling was 19,000 feet.



USE TESTOR S RED #1103

THIS AIRPLANE IS WHITE OVERALL EXCEPT WHERE NOTED

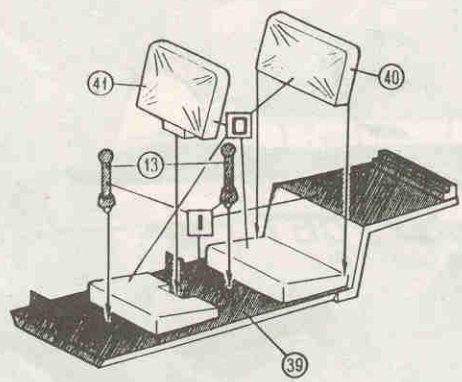
**MINICRAFT
MODEL KITS**

11611

1



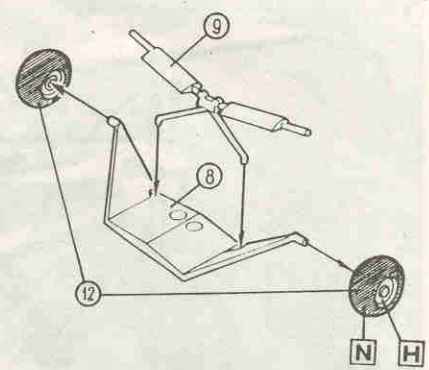
INTERIOR SUB-ASSEMBLY



2



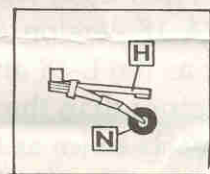
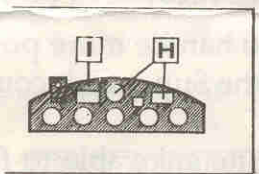
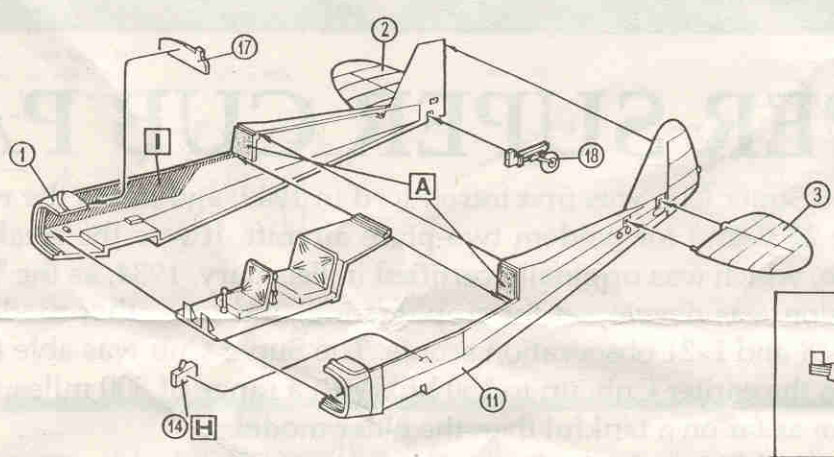
MAIN GEAR ASSEMBLY



3



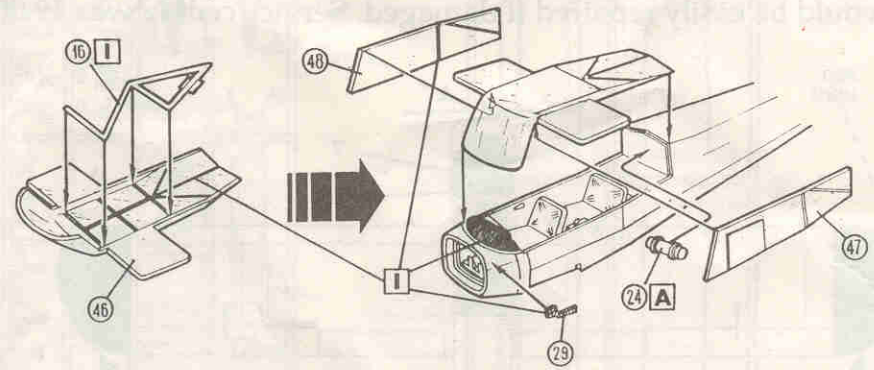
INTERIOR INSTALLATION AND FUSELAGE ASSEMBLY



4



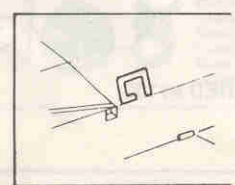
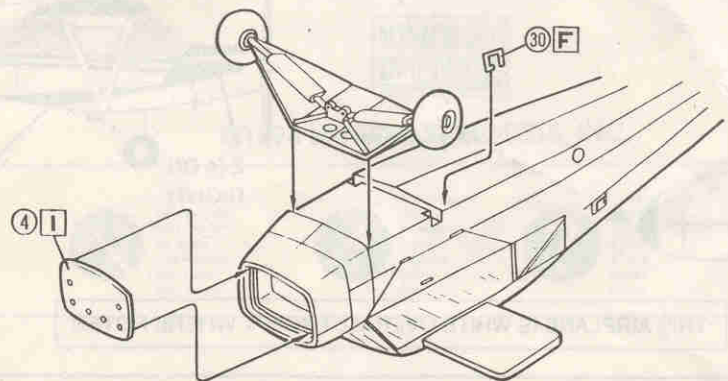
CANOPY MOUNTING



5



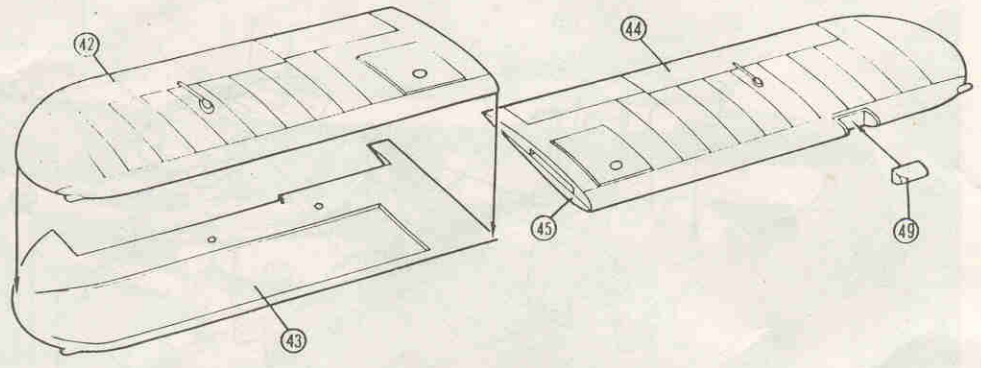
MAIN GEAR INSTALLATION



6



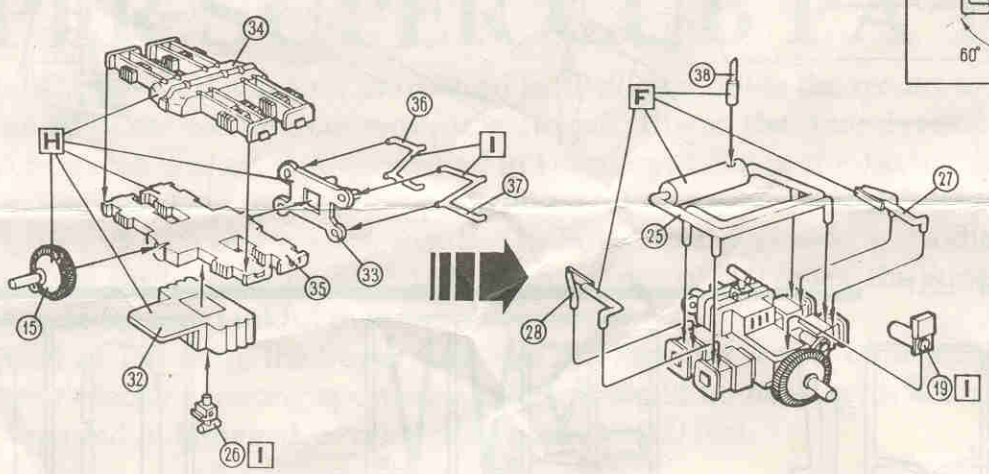
WINGS ASSEMBLY



7



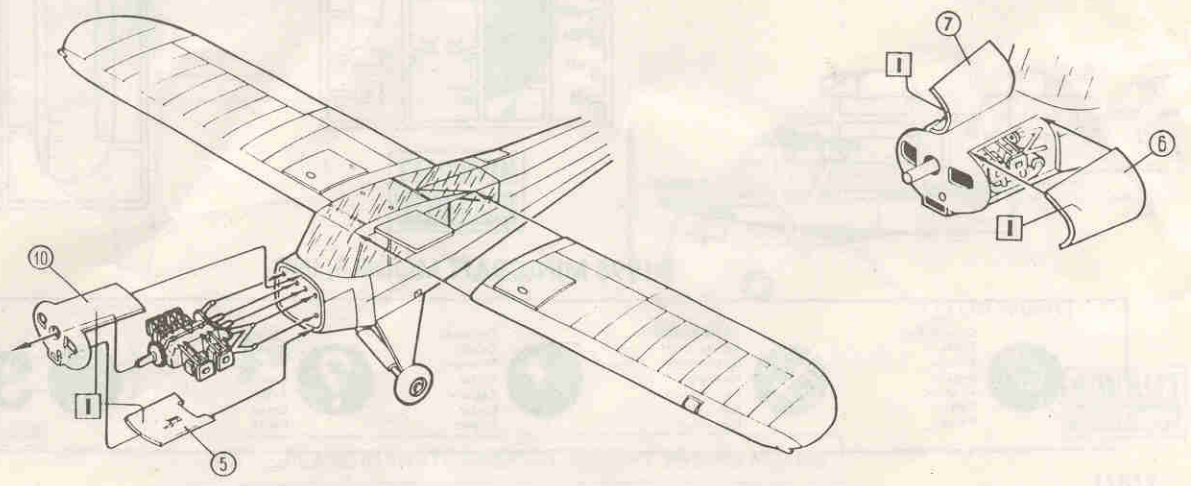
ENGINE ASSEMBLY



8

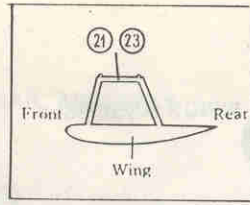
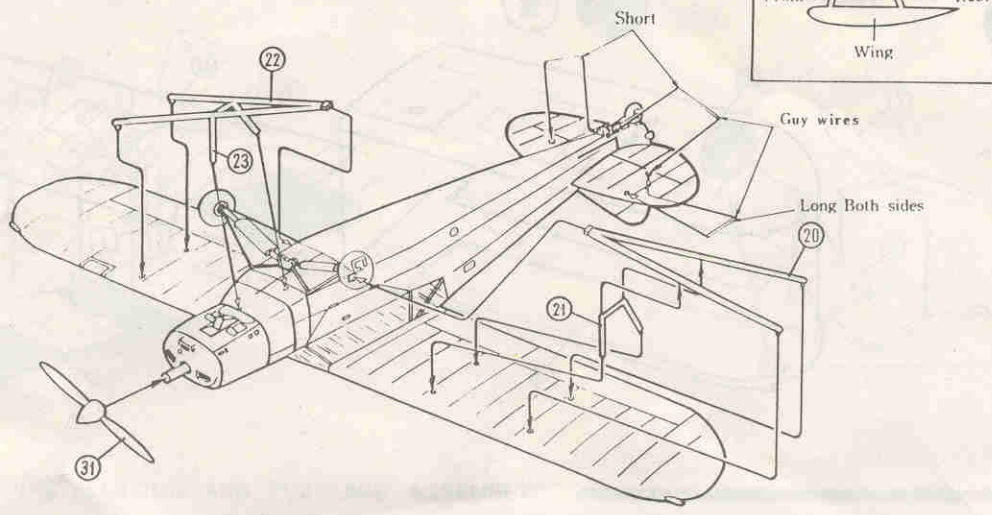


ENGINE INSTALLATION

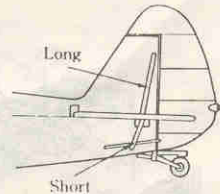
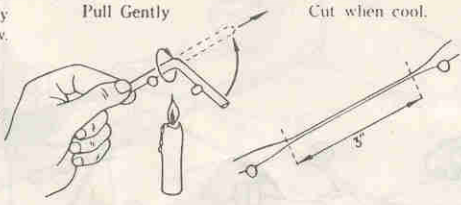
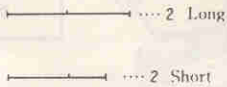


9

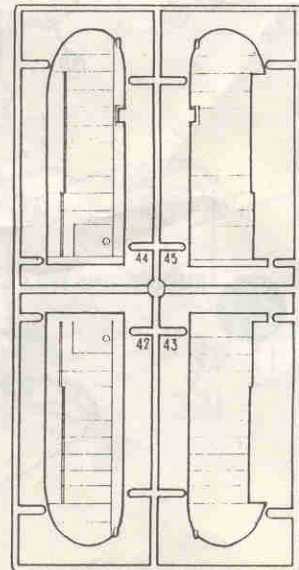
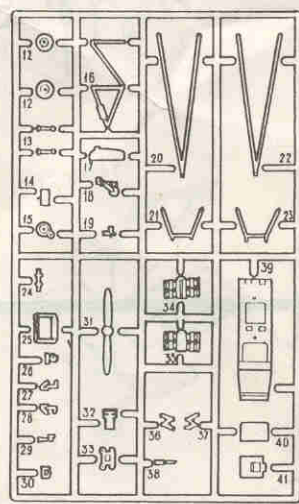
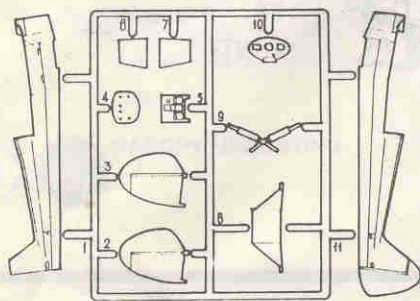
FINAL ASSEMBLY



Stretch a plastic runner by heating over a flame, to make guy wires and cut to lengths below. (Or cut thin wires).



PARTS PLACEMENT LIST



MINICRAFT MODEL KITS

©1998 MINICRAFT MODELS, INC.

<p>Cement parts. Coller Kleben Pegar Incollare Colar Kleven</p>	<p>DO NOT cement Ne pas coller Nicht kleben No pegar Non incollare Nao colar Niet kleven</p>	<p>Cut away Couper Scheiden Cortar Tagliare Cortar Snijden</p>	<p>Optional parts Choix Auswahlmöglichkeit Elección Scelta Opcao Keuze</p>	<p>Repeat operation Répéter l'opération Vorgang wiederholen Repitir a operacion Repitire Repitir a operação Herhalen</p>
---	--	--	--	--

The paint schemes and interior appointments of the airplanes were changed every model year. Like car makers, there are standard and deluxe models, and even special editions.. All told there was a bewildering array of more than 60 different paint schemes. Suggestions for the color reference in our kit is as follows:

11611 – Piper Super Cub

A – White

F – Gloss Black

H - Silver

I – Dk Gray

N – Flat black

O – Red

Your Minicraft model includes high-quality waterslide decals. These decals adhere best to a glossy surface; and it is recommended that you apply a clear gloss coat over your painted model.

Use a sharp scissors or knife to cut individual decals from the carrier sheet. Do not cut into the clear film surrounding the individual decals.

* It is recommended that you apply one decal at a time.

* Place the decal section in warm water, when first inserted in the water your decal will curl, after approximately ten seconds the decal will uncurl. Remove from water and lay on a paper towel. After approximately 10 - 20 seconds the decal will slide freely from the backing paper. Use a small brush to help slide the decal from the backing paper and into position on the model. Carefully blot excess water from the decal, using care not to move the decal or tear it.

* If you choose to use a setting solution, apply a thin coat over the decal following the manufacturer's instruction.

* Allow the decal to dry overnight. Wash any adhesive residue off the model with a small amount of clean water and dry thoroughly.

* Apply clear gloss, matte or flat coat to seal decals following the instructions from the manufacturer.



Legends in the making™

Visit our Website-
www.minicraftmodels.com

Minicraft Models
1501 Commerce Drive
Elgin, IL 60123

Phone: 847-429-9676