

Your MINICRAFT TR-3 kit may be built with a closed or open top. Please review the entire instruction sheet before beginning assembly, and refer to the painting guide below.

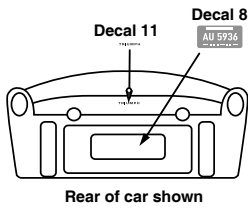
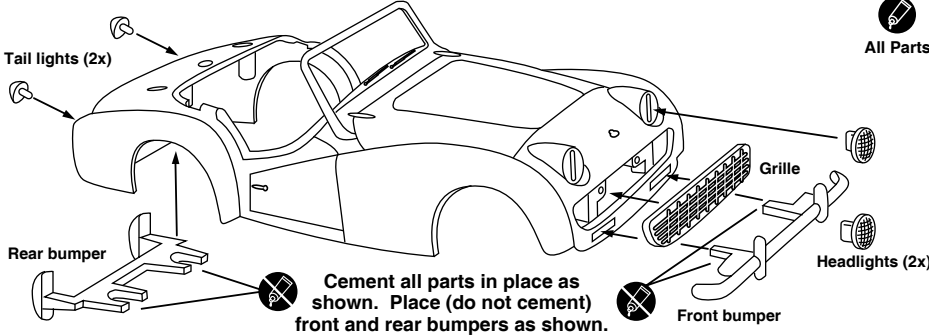


**APPLYING DECALS**  
 Cut each decal from sheet separately. Dip in warm water for 30 seconds. Slide decal off backing paper and into position, then press with paper towel or soft cloth to absorb excess moisture. Allow to dry thoroughly.

**1**

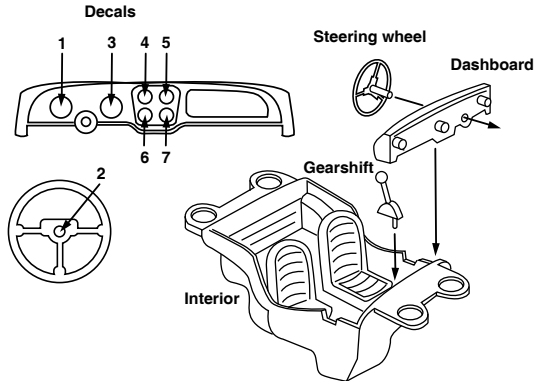
**All Parts**  
 except as noted

Front and rear bumper mounts **BODY COLOR**  
 Tail lights **TRANSPARENT RED**  
 All handles and hinges, gas cap, trim and windshield frame **SILVER**



**2**

**All Parts**



Cement gearshift into hole in floor. Cement steering wheel to dashboard, the cement dashboard to interior.

Dashboard **MATCH** top to interior color, **FLAT BLACK** face  
 Steering wheel **FLAT BLACK** with **SILVER** spokes  
 Gearshift knob **GLOSS BLACK**

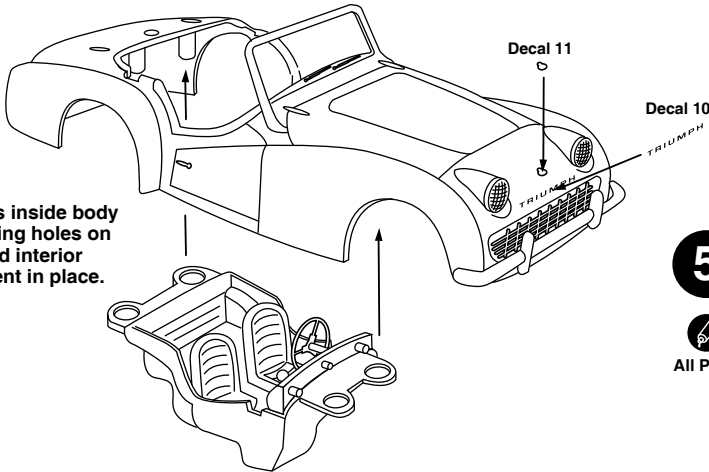
**PAINTING HINTS**  
 Popular body colors were English Racing Green, Red or White.  
 Interior colors were Tan, Black or Red.  
 The retractable top can be painted Tan, Black or White.  
 Optional racing number decals are provided.

For additional realism, paint the grille **Black**, and immediately wipe paint off, leaving it only in the recessed areas. The technique can also be applied to the wire spoked wheels.

**3**

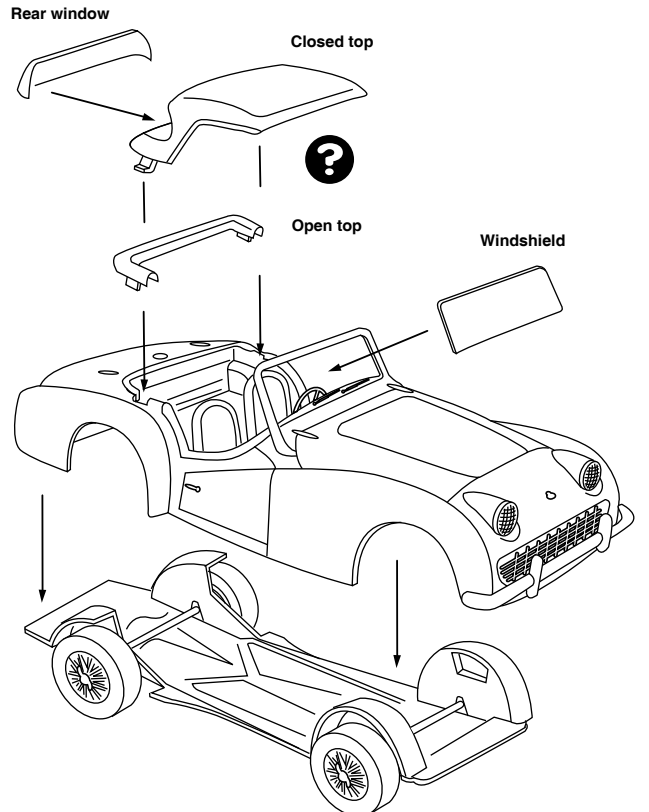
**All Parts**

Align posts inside body with locating holes on finished interior and cement in place.



**5**

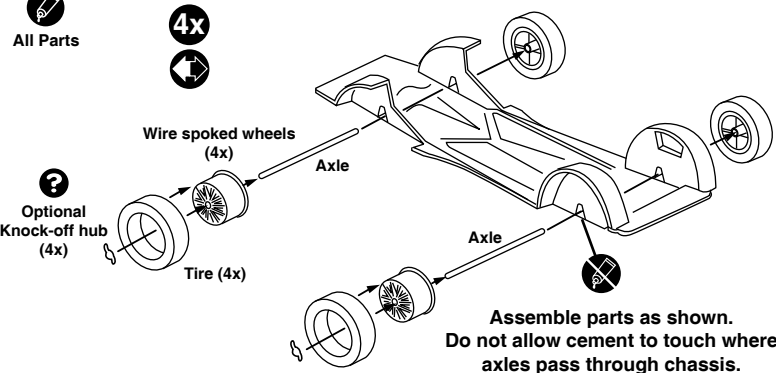
**All Parts**



Cement your choice of top in place. Cement window and windshield in place, then apply cement to bumper mounts. Cement body to chassis.

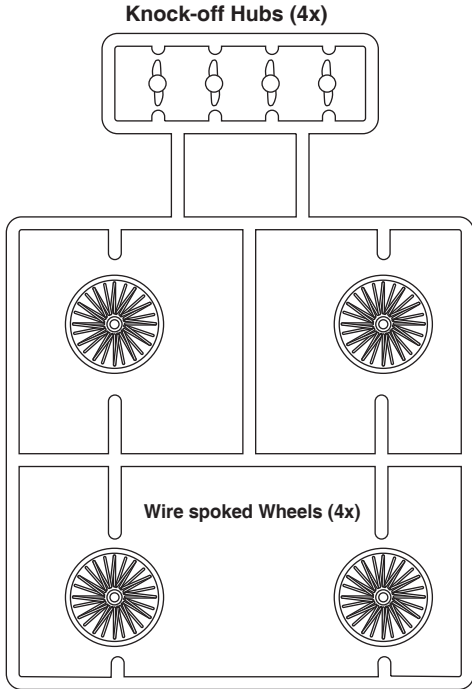
**4**

**All Parts**

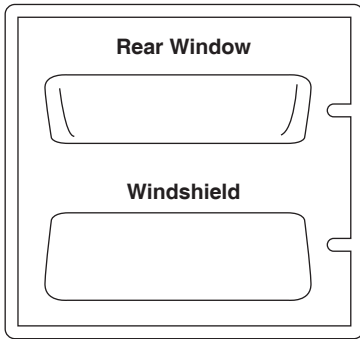
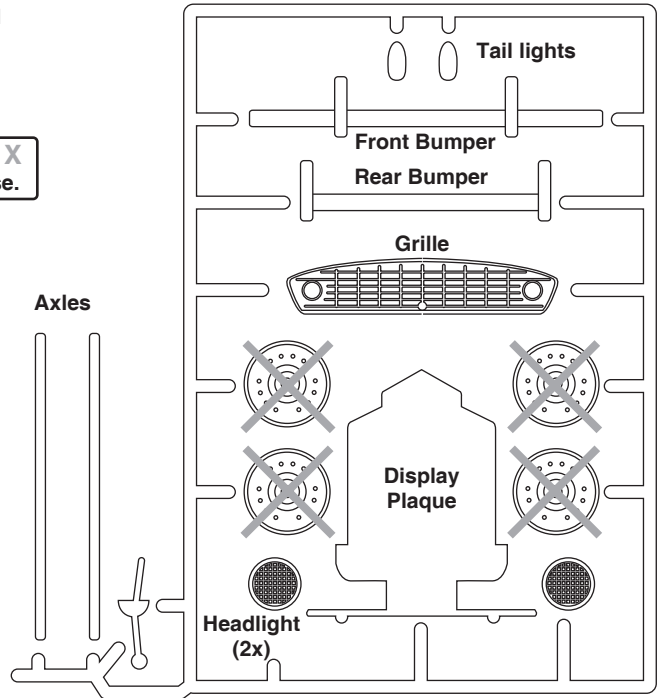


Chassis underside **FLAT BLACK-GRAY**

# PARTS LAYOUT DIAGRAM



Parts marked X are not for use.



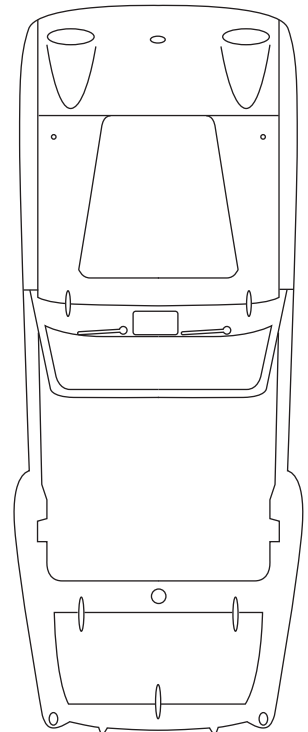
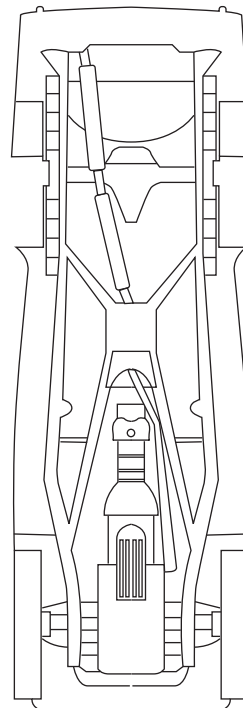
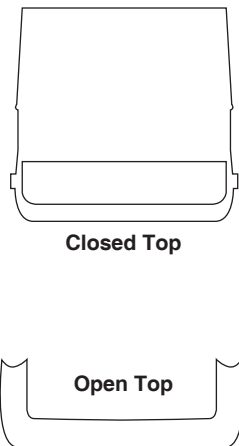
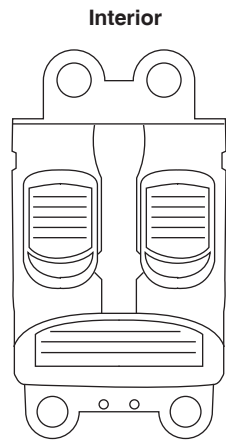
Steering Wheel



Gearshift

Chassis

Body



Tires (4x)

