



GHOST® SINGLE MULTI-MOUNT LIGHT, ECE CERTIFIED

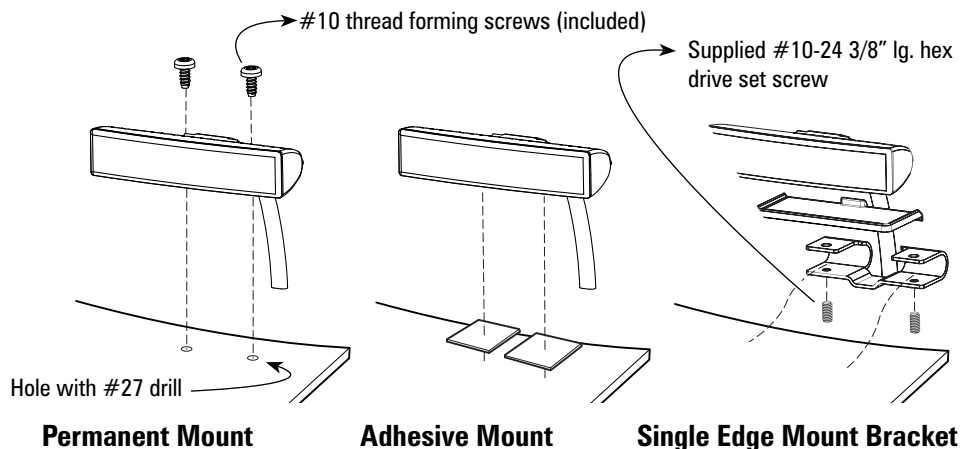
SINGLE LIGHT

- EGHSTE1(x)B - Black
- EGHSTE1(x)W - White
- EGHSTE1(x)C - Chrome

GHOST® SINGLE MULTI-MOUNT LIGHT, ECE65 CERTIFIED, XYLEX LENS

SINGLE LIGHT

- EGHSTE1(x)B-EU - Black
- EGHSTE1(x)W-EU - White



Permanent Mount

Adhesive Mount

Single Edge Mount Bracket

Important Information:

- Warning devices are strictly regulated and governed by Federal, State and Municipal ordinances. These devices shall be used ONLY on approved vehicles. It is the sole responsibility of the user of these devices to ensure compliance.
- DO NOT install this product or route any wires in the Air Bag Deployment Zone. Refer to your vehicle Owner's Manual for the location of any air bag deployment zones.
- DO NOT connect this device to a strobe power supply. This product is self-contained and does not require an external power supply.

Warning devices are strictly regulated and governed by Federal, State and Municipal ordinances. These devices shall be used ONLY on approved vehicles. It is the sole responsibility of the user of these devices to ensure compliance.



1.800.338.7337 / www.soundoffsignal.com

To review our Limited Warranty Statement & Return Policy for this or any SoundOff Signal product, visit our website at www.soundoffsignal.com/sales-support. If you have questions regarding this product, contact **Technical Services**, Monday - Friday, 8 a.m. to 5 p.m. at **1.800.338.7337** (press #4 to skip the automated message). Questions or comments that do not require immediate attention may be emailed to techservices@soundoffsignal.com.

SUPERIOR CUSTOMER RELATIONSHIPS. SMARTLY DESIGNED LIGHTING & ELECTRONIC SOLUTIONS.

INSTALLATION:

- 1. Screw Mount**
Establish a position on the vehicle. Use the mounting slots as a template to mark hole locations. Drill a hole using a #27 drill bit. The Torx screws provided are self-tapping.
Loosen the two #10 TORX screws on the back of each housing to adjust the angle of the GHOST. After adjustment, tighten the TORX screws.
- 2. Adhesive Mount**
To obtain optimum adhesion, the bonding surfaces must be well unified, clean and dry. Peel one side of each adhesive mounting patch provided. Apply each rectangular patch to the bottom of the GHOST housing. Position the GHOST on the vehicle and mark 2 edges of the location using tape. Peel the remaining paper from the adhesive patch and carefully position the light using the tape template. Press down on housing firmly to insure good adhesive contact. Important: Apply carefully; adjustment is not possible after the adhesive bonds. Ultimate strength of adhesive is achieved after 24 hours.

Loosen the two #10 TORX screws on the back of each housing to adjust the angle of the GHOST. After adjustment, tighten the TORX screws.

- 3. New 'U' bracket for mounting on hood or trunk edge.**

Open the hood or trunk that will be the attachment surface. Place the rubber pad provided on the surface, insuring that the lower lip is on the edge of the sheet metal. Fit the 'U' bracket to the back of the GHOST light base, nesting the bracket holes with the pins on the light base. Slide the assembly onto the rubber pad. Tighten the four set screws.

Loosen the two #10 TORX screws on the back of each housing to adjust the angle of the GHOST. After adjustment, tighten the TORX screws.

OPERATION:

WIRE CONNECTIONS

See setup procedure on second page.

The single GHOST comes equipped with an internal flasher with 3 user selectable patterns that can be synchronized either alternating or simultaneous with up to three other lights. It can also be put into slave mode and driven through an external flasher.

1. Connect the GHOST BLACK wire to a good, convenient ground.
2. Connect the GHOST RED wire to one side of a user supplied on/off switch. Connect the other side of the switch, through a 5Amp fuse, to a source of +10-30Vdc.
3. Cruise mode is activated by applying power to BROWN wire while RED wire is powered. NOTE: Cruise mode is STEADY-ON at 20% light output.
4. To sync lights and make pattern selections see reverse side.

TECHNICAL SPECIFICATIONS

| | |
|------------------------|--|
| Overall Dimensions: | 4" L x 0.88" H x 1.75" D |
| Input Voltage Range: | 10-30 Vdc |
| Current Consumption: | 0.75 Amps max/light (flash pattern dependent) |
| Light Sync Technology | Yes |
| Operating Temperature: | -20° to +65° C |

⚠ WARNING

This product contains high intensity LED devices. To prevent eye damage, DO NOT stare into light beam at close range.

IMPORTANT INFORMATION:

GHOST

SINGLE MULTI-MOUNT ECE65 CERTIFIED w/ STANDARD LENS

SINGLE LIGHT

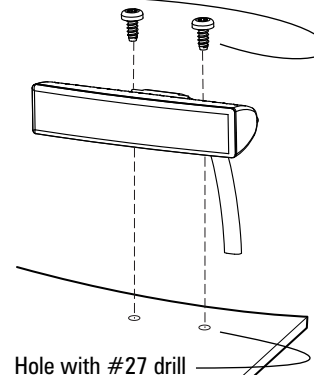
- EGHSTE1(x)B - Black
- EGHSTE1(x)W - White
- EGHSTE1(x)C - Chrome

SINGLE MULTI-MOUNT ECE65 CERTIFIED w/ XYLEX LENS

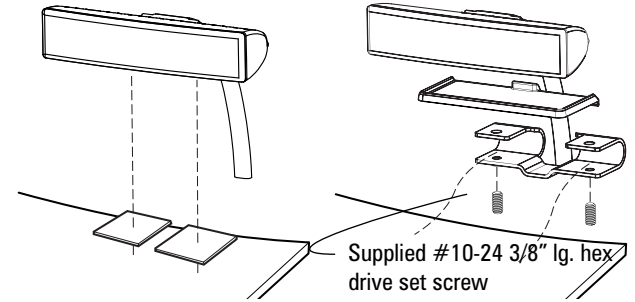
SINGLE LIGHT

- EGHSTE1(x)B-EU - Black
- EGHSTE1(x)W-EU - White
- EGHSTE1(x)C-EU - Chrome

#10 thread forming screws (included)



Permanent Mount



Adhesive Mount

Single Edge Mount Bracket

NOTE:
The GHOST is a factory sealed unit that **CANNOT** be serviced in the field. Any attempt to gain access to the GHOST unit will most likely cause permanent damage and void its warranty.

ECE GHOST Sync Configuration Instructions IMPORTANT! A MAXIMUM OF 4 SINGLE LIGHTS CAN BE SYNCED TOGETHER

1. Set ID#
 - a. Identify which pattern and sequence you want and look up ID# settings at right.
 - b. Connections
 - i. RED: +12Vdc
 - ii. WHT: +12Vdc (Note: you will need to disconnect after power is applied)
 - iii. BLK: Ground
 - c. Apply power to unit
 - d. Without disconnecting power from unit, disconnect WHT wire
 - e. Momentarily connect WHT to Ground to change ID #
 - i. Identify ID# by number of sequential flashes
 - ii. Possible ID#s: 1 – 4
 - f. Disconnect power from unit to get out of ID mode.
2. Set Pattern
 - a. Reapply power to units.
 - b. Once all Light Head ID#s are configured, make sure all lights are flashing the same pattern
 - c. Connect corresponding colored wires of all units together: RED to RED, etc.
 - d. Change Pattern
 - i. Momentarily touch WHT wires to Ground
 - ii. Observe pattern change on all lights connected
 - e. Insulate all wires by taping with electrical tape
3. Connect Master Switch for Application
 - a. **IMPORTANT!** Ensure WHT Pattern/Sync Wires are tied together

ONE (1) LIGHT

Single Light Operation: Follow the ID Selection steps and set the ECE GHOST to ID#1 if it is not already.

TWO (2) LIGHTS

ALTERNATING: To obtain Alternating patterns, follow the ID SELECTION steps and set one ECE GHOST to ID#1 and the other to ID#3. Then proceed to the PATTERN SELECTION steps.

SIMULTANEOUS: To obtain Simultaneous patterns, follow the ID SELECTION steps and set both ECE GHOST lights to ID#1. Then proceed to PATTERN SELECTION steps.

SLAVE MODE

The GHOST is capable of being activated through the use of a use supplied flasher by putting it in slave mode.

1. Permanently connect the GHOST WHITE and BLACK wire to a good, convenient ground.
2. Connect the GHOST RED wire, through a 5Amp fuse, to the output of a +10-30Vdc switching flasher.

PATTERN RESET

1. Remove power
2. Place WHITE (sync) wire to ground
3. With sync wire grounded, re-power RED wire
4. Maintain for one second (light will dim)
5. Remove power and ground (pattern 1 set)

Flash Patterns

| Flash Patterns | FPM (Flashes per Minute) |
|----------------|-----------------------------|
| 1. Single | 125 |
| 2. Double | 125 |
| 3. Triple | 123 |

WIRE HOOK-UP TABLE

| WIRE COLOR: | CONNECT TO: |
|-------------|-------------------|
| RED | + 10-30 Vdc |
| BLACK | Ground (-) |
| WHITE | ID/Pattern Select |
| BROWN WIRE | + 10-30 Vdc |

SoundOff
Signal
Smart Design.

1.800.338.7337 / www.soundoffsignal.com

EGHSTE1(x) 07.14