

DEWALT®

DW845, DW847, DW849
Polishers
Polisseuses
Pulidoras

DeWALT Industrial Tool Co., 701 East Joppa Road, Baltimore, MD 21286

(NOV04-CD) Form No. 627147-00 DW845, DW847, DW849 Copyright © 2002, 2004 DeWALT

The following are trademarks for one or more DeWALT power tools: the yellow and black color scheme; the "D" shaped air intake grill; the array of pyramids on the handgrip; the kit box configuration; and the array of lozenge-shaped humps on the surface of the tool.

IF YOU HAVE ANY QUESTIONS OR COMMENTS ABOUT THIS OR ANY DeWALT TOOL, CALL US TOLL FREE AT: **1-800-4-DEWALT (1-800-433-9258)**

Important Safety Instructions

WARNING: When using electric tools, basic safety precautions should always be followed to reduce risk of fire, electric shock, and personal injury, including the following:

READ ALL INSTRUCTIONS

Double Insulation

Double insulated tools are constructed throughout with two separate layers of electrical insulation or one double thickness of insulation between you and the tool's electrical system. Tools built with this insulation system are not intended to be grounded. As a result, your tool is equipped with a two prong plug which permits you to use extension cords without concern for maintaining a ground connection.

NOTE: Double insulation does not take the place of normal safety precautions when operating this tool. The insulation system is for added protection against injury resulting from a possible electrical insulation failure within the tool.

CAUTION: WHEN SERVICING ALL TOOLS USE ONLY IDENTICAL REPLACEMENT PARTS. Repair or replace damaged cords.

Polarized Plugs

Polarized plugs (one blade is wider than the other) are used on equipment to reduce the risk of electric shock. When provided, this plug will fit into a polarized outlet only one way. If the plug does not fit fully into the outlet, reverse the plug. If it still does not fit, contact a qualified electrician to install the proper outlet. Do not change the plug in any way.

Safety Instructions For All Tools

- **KEEP WORK AREA CLEAN.** Cluttered areas and benches invite injuries.
- **CONSIDER WORK AREA ENVIRONMENT.** Don't expose power tools to rain. Don't use power tools in damp or wet locations. Keep work area well lit. Do not use tool in presence of flammable liquids or gases.
- **GUARD AGAINST ELECTRIC SHOCK.** Prevent body contact with grounded surfaces. For example; pipes, radiators, ranges, and refrigerator enclosures.
- **KEEP CHILDREN AWAY.** Do not let visitors contact tool or extension cord. All visitors should be kept away from work area.
- **STORE IDLE TOOLS.** When not in use, tools should be stored in dry, and high or locked-up place — out of reach of children.
- **DON'T FORCE TOOL.** It will do the job better and safer at the rate for which it was intended.
- **USE RIGHT TOOL.** Don't force small tool or attachment to do the job of a heavy-duty tool. Don't use tool for purpose not intended.
- **DRESS PROPERLY.** Do not wear loose clothing or jewelry. They can be caught in moving parts. Rubber gloves and non-skid footwear are recommended when working outdoors. Wear protective hair covering to contain long hair. Air vents often cover moving parts and should also be avoided.
- **USE SAFETY GLASSES.** Also use face or dust mask if cutting operation is dusty.
- **DON'T ABUSE CORD.** Never carry tool by cord or yank it to disconnect from receptacle. Keep cord from heat, oil, and sharp edges.
- **SECURE WORK.** Use clamps or a vise to hold work. It's safer than using your hand and it frees both hands to operate tool.
- **DON'T OVERREACH.** Keep proper footing and balance at all times.
- **MAINTAIN TOOLS WITH CARE.** Keep tools sharp and clean for better and safer performance. Follow instructions for lubricating and changing accessories. Inspect tool cords periodically and if damaged, have repaired by authorized service facility. Inspect extension cords periodically and replace if damaged. Keep handles dry, clean, and free from oil and grease.

- **DISCONNECT OR LOCK OFF TOOLS** when not in use, before servicing, and when changing accessories, such as blades, bits, cutters.
- **REMOVE ADJUSTING KEYS AND WRENCHES.** Form habit of checking to see that keys and adjusting wrenches are removed from tool before turning it on.
- **AVOID UNINTENTIONAL STARTING.** Don't carry tool with finger on switch. Be sure switch is off when plugging in.
- **EXTENSION CORDS.** Use only 3-wire extension cords that have 3-prong grounding-type plugs and 3-pole receptacles that accept the tool's plug. Replace or repair damaged cords. Make sure your extension cord is in good condition. When using an extension cord, be sure to use one heavy enough to carry the current your product will draw. An undersized cord will cause a drop in line voltage resulting in loss of power and overheating. The following table shows the correct size to use depending on cord length and nameplate ampere rating. If in doubt, use the next heavier gage. The smaller the gage number, the heavier the cord.

Recommended Minimum Wire Size for Extension Cords

Total Length of Cord		75 ft.	100 ft.	125 ft.	150 ft.	175 ft.
25 ft.	50 ft.	75 ft.	100 ft.	125 ft.	150 ft.	175 ft.
7.6 m	15.2 m	22.9 m	30.5 m	38.1 m	45.7 m	53.3 m

Wire Size		16 AWG	16 AWG	14 AWG	14 AWG	12 AWG
18 AWG	18 AWG	16 AWG	16 AWG	14 AWG	14 AWG	12 AWG

- **OUTDOOR USE EXTENSION CORDS.** When tool is used outdoors, use only extension cords intended for use outdoors and so marked.
- **STAY ALERT.** Watch what you are doing. Use common sense. Do not operate tool when you are tired.
- **CHECK DAMAGED PARTS.** Before further use of the tool, a guard or other part that is damaged should be carefully checked to determine that it will operate properly and perform its intended function. Check for alignment of moving parts, binding of moving parts, breakage of parts, mounting, and any other conditions that may affect its operation. A guard or other part that is damaged should be properly repaired or replaced by an authorized service center unless otherwise indicated elsewhere in this instruction manual. Have defective switches replaced by authorized service center. Do not use tool if switch does not turn it on and off.

Additional Safety Instructions for Sanders

- **ALWAYS WEAR EYE PROTECTION.**

Clean your tool out periodically.

WARNING: Some dust created by power sanding, sawing, grinding, drilling, and other construction activities contains chemicals known to cause cancer, birth defects or other reproductive harm. Some examples of these chemicals are:

- lead from lead-based paints,
- crystalline silica from bricks and cement and other masonry products, and
- arsenic and chromium from chemically-treated lumber (CCA).

Your risk from these exposures varies, depending on how often you do this type of work. To reduce your exposure to these chemicals: work in a well ventilated area, and work with approved safety equipment, such as those dust masks that are specially designed to filter out microscopic particles.

- **Avoid prolonged contact with dust from power sanding, sawing, grinding, drilling, and other construction activities.** Wear protective clothing and wash exposed areas with soap and water. Allowing dust to get into your mouth, eyes, or lay on the skin may promote absorption of harmful chemicals.

WARNING: Use of this tool can generate and/or disburse dust, which may cause serious and permanent respiratory or other injury. Always use NIOSH/OSHA approved respiratory protection appropriate for the dust exposure. Direct particles away from face and body.

CAUTION: Wear appropriate hearing protection during use. Under some conditions and duration of use, noise from this product may contribute to hearing loss.

SAVE THESE INSTRUCTIONS

Auxiliary Handle

An auxiliary handle is furnished with your tool and can be installed on either side of the front housing. This handle should be used at all times to maintain complete control of the tool.

Single Speed Switch (DW845 only)

CAUTION: Check that the tool is not locked ON before connecting it to a power supply. If the trigger switch is locked ON when the tool is connected to the power supply, it will start immediately. Damage to your tool or personal injury may result.

These tools are equipped with a single speed on-off switch. To turn the tool on, squeeze the trigger switch shown in Figure 2. To turn the tool off, release the trigger switch.

The tool can be locked on for continuous use by squeezing the trigger switch fully and depressing the lock button shown in Figure 2. Hold the lock button in as you gently release the trigger switch. The tool will continue to run. To turn the tool off from a locked on position, squeeze and release the trigger switch once. Do not unplug the tool with the switch in the locked on condition. Make sure the tool is not locked on when plugging in. A locked on tool will start immediately when plugged in.

Variable Speed Switch (DW847 and DW849 only)

These tools are equipped with a variable speed switch that permits speed control from (zero to 1750 RPM - DW847) (zero to 1000/zero to 3000 RPM - DW849). To turn the tool on, squeeze the trigger switch shown in Figure 2 until the tool starts to run. The farther you depress the trigger, the faster it will operate. Releasing the trigger turns the tool off.

Use lower speeds for applying liquid waxes and polishes and higher speeds for removing dried liquid. Use the highest speed (fully depress trigger) for buffing the car to a final lustre.

The tool can be locked on for continuous use by squeezing the trigger switch fully and depressing the lock button shown in Figure 2. Hold the lock button in as you gently release the trigger switch. The tool will continue to run. To turn the tool off from a locked on position, squeeze and release the trigger switch once. Do not unplug the tool with the switch in the locked on condition. Make sure the tool is not locked on when plugging in. A locked on tool will start immediately when plugged in.

NOTE: The trigger can only be locked on with the tool running at the maximum RPM.

Speed Control Wheel (DW849 only)

The maximum speed of your tool can be changed by rotating the speed control wheel to the desired setting. The wheel incorporates detents to prevent inadvertent wheel movement and to facilitate speed selection. For added versatility, the switch may be locked in its full on position and tool speed changed by means of the speed control wheel alone (see Figure 3).

The electronic speed control not only lets you select the speed to suit the job, but also helps to maintain that speed as you load the tool by pressing down. It's this feature, coupled with the variable speed switch, that make this tool such a value.

The speed control wheel can be set for any speed between 1000 and 3000 RPM and the variable speed switch will then control tool speed from zero to the wheel setting. For example: A control wheel setting of 2200 RPM will allow the variable speed switch to operate the tool between zero and 2200 RPM, depending on how far the trigger is depressed. A wheel setting of 1000 RPM would allow the switch to operate the tool from zero RPM to 1000 RPM.

The electronic speed control feature comes into play whenever the trigger switch is fully depressed and the tool is running at the selected speed determined by the setting of the control wheel. As you load the tool by pushing it down on the work surface, (with the trigger fully depressed) the electronic circuit inside the tool will compensate for the loading and maintain the selected speed. If the speed selected by the control wheel is 2200 RPM, as in the example above, the tool will maintain 2200 RPM, as it is loaded.

It is important to remember two things about electronic speed control:

1. The electronic speed control operates only when the trigger switch is fully depressed.
2. The effect of electronic speed control is much easier to observe at lower speed settings (2600 RPM and below), than at high speeds. As the tool approaches 3000 RPM, the effect is considerably less dramatic.

Keep in mind that, with a conventional polisher running at a typical no load speed of 2400 RPM, the tool slows down to about 2000 RPM under a polishing load. Your DW849 will continue to run at 2400 RPM (or any speed you select with the control wheel) as a load is applied. Since it doesn't slow down, the speed may be greater than you're used to so some extra caution should

be observed until you get the "feel" of your polisher. If you feel the speed is too great, you can, of course slow the tool down with either the trigger switch or the control wheel.

Spindle Lock Button (Fig. 1)

TURN OFF TOOL AND DISCONNECT FROM POWER SUPPLY.

In order to prevent the spindle of the tool from rotating while installing or removing accessories, a spindle lock button has been provided in the gear head of the machine. To lock the spindle, depress and hold the lock button. NEVER DEPRESS THE SPINDLE LOCK BUTTON WITH THE TOOL RUNNING OR COASTING.

Attaching and Removing Polishing Pads (Figures 4 & 5)

TURN OFF TOOL AND DISCONNECT FROM POWER SUPPLY.

To attach pad, push the hub of the clamp washer through the hole in the center of the polishing pad as far as it will go. Engage the hexagonal hole in the backing pad. Holding the three pieces firmly together, place the assembly on the tool spindle. Hold the spindle lock button while turning the pads clockwise to thread them completely on the spindle.

To remove the pads, turn them by hand in the opposite direction from normal rotation to allow lock button to engage spindle, then unscrew pads in normal direction for right hand thread.

NOTE: If you are using a polishing bonnet, rather than a pad, put clamp washer on first, pull bonnet completely over backing pad and pull draw strings tight Tie bow knot and push knot and all loose string completely under the inside, cloth edge of the polishing bonnet.

▲ WARNING: TIED KNOT AND ALL STRINGS MUST BE TUCKED ENTIRELY UNDER THE CLOTH APRON. FAILURE TO DO SO MAY CAUSE SERIOUS INJURY.

Polishing

These instructions and suggestions are intended to familiarize new operators in overall general operation of power polishing. You will develop your own techniques which will make the job easier and faster as you learn power polishing.

You should use utmost care when power polishing around or over sharp objects and contours of the car body. It is very important to use the correct pressure while polishing various sections of an automobile body. For example, light pressure should be applied when polishing over sharp edges of body panels, or over edges of the rain gutter along the top.

Since everyone does not use the same type of power polish, we recommend you clean and polish a test section on a flat area of the car first. From this test section, you can judge the strength or cleaning action of your power polish.

Remember, all power polish is not the same. Different brands will react differently on various painted surfaces. Also, you are now using a power polisher with power polish. This is entirely different from any hand application which you may have done before. Wash the car before power polishing it. Washing will remove loose dirt, scum, road salt, etc. which could act as an abrasive and damage paint. Loose dirt, etc. will also clog the polishing pad and you will have to clean it more often.

Without turning the tool on, grasp the handles of the tool and pick it up. Keep the tool away from your body and turn the switch on. Make sure you have a firm grip on the handles and operate the tool freely without forced effort or unnecessary pressure. The side handle can be easily changed to either side of the tool for left-handed or right-handed operation.

NOTE: The high speed rubbing action of the polishing bonnet upon the surface of an automobile can build a static charge on the metal portions of this tool. This can result in a sensation of a very short mild electric shock when the metal area of the tool is touched, and will be more noticeable on days when the humidity is low. This is a harmless phenomenon but you are invited to bring the tool to a DEWALT service center where it can be checked to assure that no electrical malfunction is present.

Sanding Application (DW849 only)

ATTACHING AND REMOVING ABRASIVE DISCS (FIGURES 6, 7, AND 8)

TURN OFF TOOL AND DISCONNECT FROM POWER SUPPLY.

To attach the sanding disc, push the hub of the clamp washer through the center of the sanding and phenolic discs, as far as it will go, and also through the backing pad. Engage the clamp washer threads on the tool spindle and thread assembly clockwise, completely down on the spindle. Hold the spindle from rotating by engaging the spindle lock button.

To remove the abrasive disc, use a cloth or glove to protect your hand. Turn the disc assembly counterclockwise (Figure 8). Hold the spindle from rotating by engaging the spindle lock button.

Sanding (DW849 only)

(See Figure 9) When using an abrasive disc, hold the tool so that an angle of 10° to 15° exists between the disc and the work. If only the outer edge of the sanding disc is used, a rough cut will result. If the sanding disc is pressed flat against the work, the sanding action will be irregular and bumpy, and the tool will be difficult to control.

Cleaning

Blowing dust, polishing bonnet lint, and grit out of the motor housing using compressed air is a necessary regular maintenance procedure. Dust and grit containing metal particles often accumulate on interior surfaces could create an electrical shock hazard if not frequently cleaned out.

▲ CAUTION: Never use solvents or other harsh chemicals for cleaning the non-metallic parts of the tool. Use clean, dry rag only.

Lubrication

DEWALT tools are properly lubricated at the factory and are ready for use. Tools should be relubricated regularly every sixty days to six months, depending on usage. (Tools used constantly on production or heavy-duty jobs and tools exposed to heat may require more frequent lubrication.) This lubrication should only be attempted by trained power tool repairpersons such as those at DEWALT service centers or other authorized service locations.

Motor Brushes

Be sure tool is unplugged before inspecting brushes. Carbon brushes should be regularly inspected for wear. To inspect brushes, unscrew the plastic brush inspection caps (located in the sides of the motor housing) and the spring and brush assemblies may be withdrawn from the tool. Keep brushes clean and sliding freely in their guides. Carbon brushes have varying symbols stamped into them, and if the brush is worn down to the line closest to the spring, they must be replaced. New brush assemblies are available at service centers; see "Tool, Electric" in the yellow pages.

Accessories

Recommended accessories for use with your tool are available at extra cost from your distributor or your local service center. A complete listing of service centers is included with your tool.

▲ CAUTION: The use of any non-recommended accessory may be hazardous.

Call 1-800-4-DEWALT or contact DEWALT Industrial Tool Co., 701 East Joppa Road, Baltimore, MD 21286.

Use only accessories having a maximum operating speed at least as high as the highest "NO LOAD RPM" marked on the tool's nameplate. This precaution applies to any accessory on any tool.

Rubber Backing Pads: 7" Quick Change Super Flexible Rubber Backing Pad (includes Clamp Washer)

Polishing Bonnets and Pads: DEWALT has an array of polishing bonnets and pads for 7" and 9" polishers. See your local DEWALT service center.

Repairs

To assure product safety and reliability, repairs, maintenance, and adjustments should be performed by DEWALT service centers or other qualified service organizations, always using DEWALT replacement parts.

Three Year Limited Warranty

DEWALT will repair, without charge, any defects due to faulty materials or workmanship for three years from the date of purchase. This warranty does not cover part failure due to normal wear or tool abuse. For further detail of warranty coverage and warranty repair information, visit www.dewalt.com or call 1-800-4-DEWALT (1-800-433-9258). This warranty does not apply to accessories or damage caused where repairs have been made or attempted by others. This warranty gives you specific legal rights and you may have other rights which vary in certain states or provinces.

In addition to the warranty, DEWALT tools are covered by our:

1 YEAR FREE SERVICE

DEWALT will maintain the tool and replace worn parts caused by normal use, for free, any time during the first year after purchase.

SPEED CONTROL WHEEL DW849 ONLY
COMMANDE DU RÉGULATEUR DE VITESSE, MODÈLE DW849 SEULEMENT
PERILLA DE CONTROL DE VELOCIDAD SOLAMENTE DW847

CUSHIONED TOOL REST DW847, DW849 ONLY
TALON D'APPUI COUSSINÉ, MODÈLES DW847, DW849 SEULEMENT
APOYO ACOJINADO SOLAMENTE DW847 Y DW849

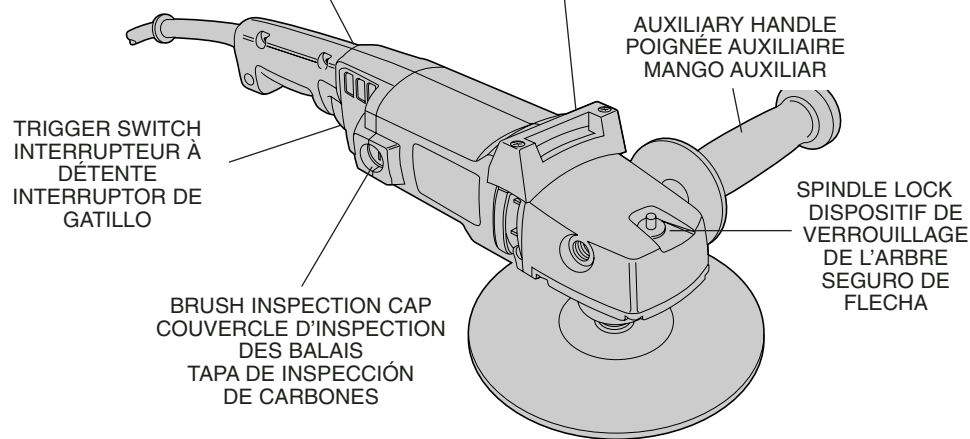


FIG. 1

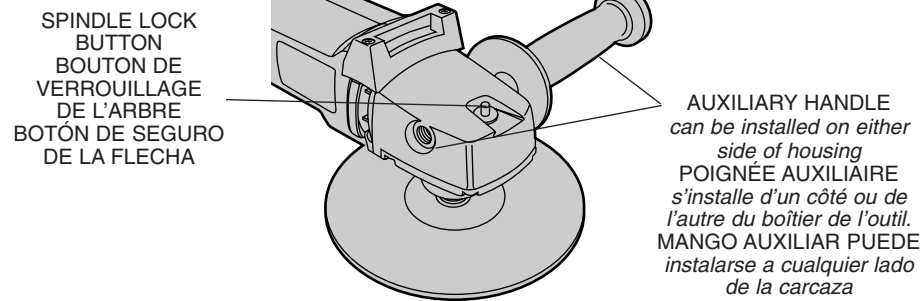


FIG. 2

FIG. 3

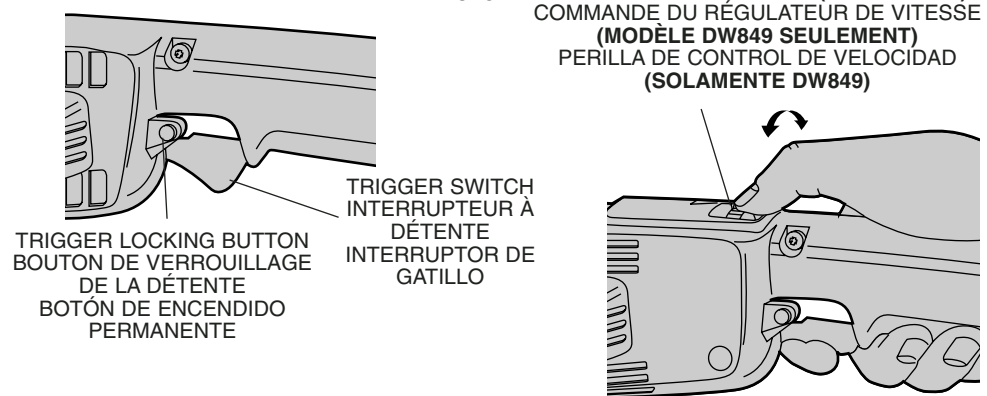


FIG. 4

FIG. 5

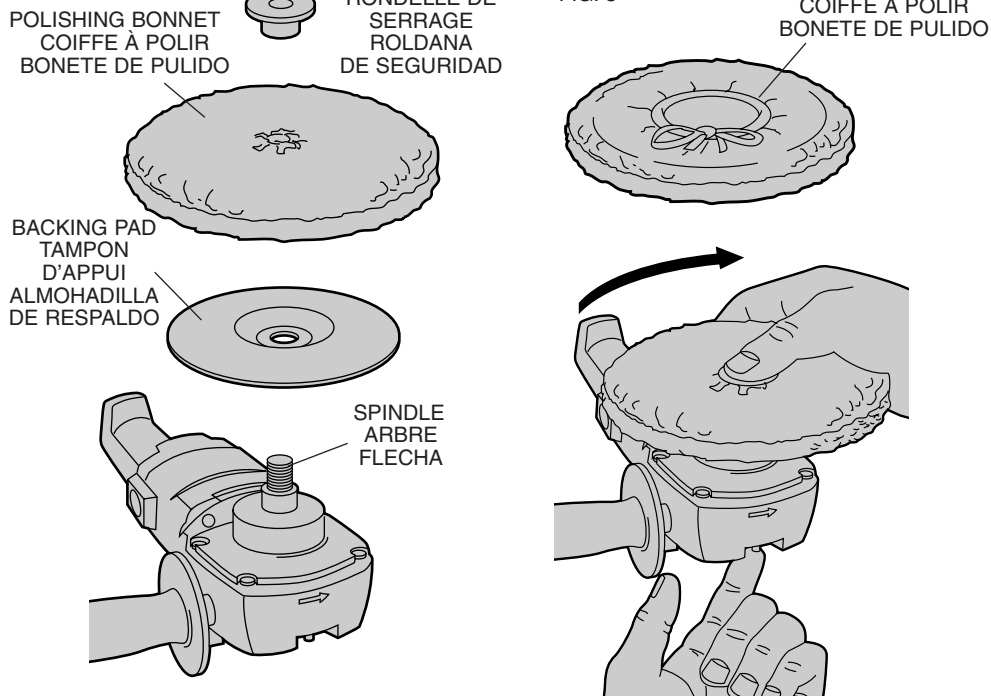


FIG. 6

FIG. 7

FIG. 8

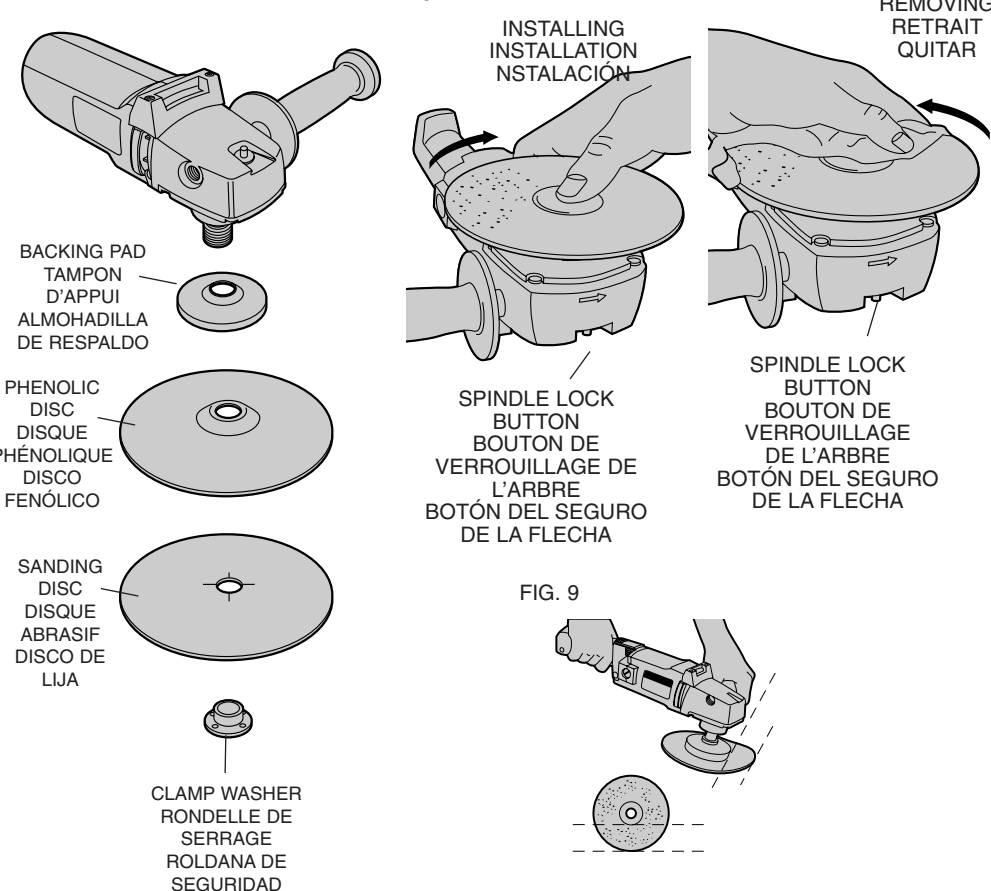


FIG. 9

90 DAY MONEY BACK GUARANTEE

If you are not completely satisfied with the performance of your DEWALT Power Tool, Laser, or Nailer for any reason, you can return it within 90 days from the date of purchase with a receipt for a full refund – no questions asked.

RECONDITIONED PRODUCT: Reconditioned product is covered under the 1 Year Free Service Warranty. The 90 Day Money Back Guarantee and the Three Year Limited Warranty do not apply to reconditioned product.

FREE WARNING LABEL REPLACEMENT: If your warning labels become illegible or are missing, call 1-800-4-DEWALT for a free replacement.

POUR TOUT RENSEIGNEMENT SUPPLÉMENTAIRE SUR L'OUTIL OU TOUT AUTRE OUTIL DEWALT, COMPOSER SANS FRAIS LE 1 (800) 4-DEWALT (1 (800) 433-9258).

Importantes mesures de sécurité

AVERTISSEMENT : Afin de réduire les risques d'incendie, de secousses électriques ou de blessures lorsqu'on utilise des outils électriques, il faut toujours respecter les mesures de sécurité suivantes.

LIRE TOUTES LES DIRECTIVES.

Double isolation

Les outils à double isolation comportent deux couches distinctes d'isolant électrique ou une double épaisseur d'isolant qui protègent l'utilisateur contre les risques de blessures provenant du système électrique de l'outil. Ce système de double isolation élimine le besoin de mettre les outils à la terre. En effet, l'outil est muni d'une fiche à deux broches, ce qui permet d'utiliser un cordon de rallonge sans avoir à se soucier d'assurer la mise à la terre.

NOTE : La double isolation ne dispense pas des mesures de sécurité normales lors de l'utilisation de l'outil. Elle vise à procurer une protection supplémentaire contre les blessures que peut entraîner une défectuosité de l'isolant électrique à l'intérieur de l'outil.

▲ MISE EN GARDE : POUR RÉPARER L'OUTIL, N'UTILISER QUE DES PIÈCES DE RECHANGE IDENTIQUES. Réparer ou remplacer les cordons endommagés.

Fiche polarisée

Afin de réduire les risques de secousses électriques, l'outil est muni d'une fiche polarisée (une lame plus large que l'autre). Ce genre de fiche n'entre que d'une façon dans une prise polarisée. Lorsqu'on ne peut insérer la fiche à fond dans la prise, il faut tenter de le faire après avoir inversé les lames de côté. Si la fiche n'entre toujours pas dans la prise, il faut communiquer avec un électricien certifié. Il ne faut pas modifier la fiche.

Mesures de sécurité pour tous les outils

- **BIEN DÉGAGER LA SURFACE DE TRAVAIL.** Des surfaces et des établis encombrés peuvent être la cause de blessures.
- **TENIR COMPTE DU MILIEU DE TRAVAIL.** Protéger les outils électriques de la pluie. Ne pas s'en servir dans des endroits humides ou mouillés. Bien éclairer la surface de travail. Ne pas utiliser l'outil en présence de liquides ni de gaz inflammables.
- **SE PROTÉGER CONTRE LES SECOUSSÉS ÉLECTRIQUES.** Éviter tout contact avec des objets mis à la terre, comme des tuyaux, radiateurs, cuisinières, réfrigérateurs et autres objets du genre.
- **ÉLOIGNER LES ENFANTS.** Tous les visiteurs doivent être tenus à l'écart de l'aire de travail et il faut les empêcher de toucher à l'outil ou au cordon de rallonge.
- **RANGER LES OUTILS INUTILISÉS.** Il faut ranger les outils dans un endroit sec, situé en hauteur ou fermé à clé, hors de la portée des enfants.
- **NE JAMAIS FORCER L'OUTIL.** Afin d'obtenir un rendement sûr et efficace, utiliser l'outil à son rendement nominal.
- **UTILISER L'OUTIL APPROPRIÉ.** Ne jamais exiger d'un petit outil ou d'un accessoire le rendement d'un outil de fabrication plus robuste. Se servir de l'outil selon l'usage prévu.
- **PORTER DES VÊTEMENTS APPROPRIÉS.** Éviter de porter des vêtements amples et des bijoux qui peuvent être happés par les pièces en mouvement. Porter des gants de caoutchouc et des chaussures à semelle antidérapante pour travailler à l'extérieur. Protéger la chevelure si elle est longue. Se tenir éloigné des événements puisque ces derniers pourraient camoufler des pièces mobiles.
- **PORTER DES LUNETTES DE SÉCURITÉ.** Porter également un masque respiratoire si le travail de coupe produit de la poussière.
- **NE PAS MANIPULER LE CORDON DE FAÇON ABUSIVE.** Ne pas transporter l'outil par le cordon ni tirer sur ce dernier pour le débrancher de la prise. Éloigner le cordon des sources de chaleur, des flaques d'huile et des arêtes tranchantes.
- **ASSUJETTIR LA PIÈCE.** Immobiliser la pièce à l'aide de brides ou d'un étoupe. On peut alors se servir des deux mains pour faire fonctionner l'outil, ce qui est plus sûr.
- **NE PAS DÉPASSER SA PORTÉE.** Toujours demeurer dans une position stable et garder son équilibre.
- **PRENDRE SOIN DES OUTILS.** Conserver les outils propres pour qu'ils donnent un rendement supérieur et sûr. Suivre les directives concernant la lubrification et le remplacement des accessoires. Inspecter régulièrement le cordon de l'outil et le faire réparer au besoin à un atelier d'entretien autorisé. Inspecter régulièrement les cordons de rallonge et les remplacer lorsqu'ils sont endommagés. S'assurer que les poignées sont toujours propres, sèches et libres de toute tache d'huile ou de graisse.
- **DÉBRANCHER OU VERROUILLER EN POSITION HORS TENSION LES OUTILS NON UTILISÉS.** Respecter cette mesure lorsqu'on ne se sert pas de l'outil, ou qu'on doit le réparer ou en changer un accessoire (comme une lame, un foret ou un couteau).
- **ENLEVER LES CLÉS DE RÉGLAGE.** Prendre l'habitude de vérifier si les clés de réglage ont été retirées avant de faire démarrer l'outil.
- **ÉVITER LES DÉMARRAGES ACCIDENTELS.** Ne pas laisser le doigt sur l'interrupteur lorsqu'on transporte l'outil. S'assurer que l'interrupteur est à la position hors circuit lorsqu'on branche l'outil.
- **CORDONS DE RALLONGE.** Utiliser seulement des cordons de rallonge trifilaires ayant une fiche à 3 broches ainsi qu'une prise à 3 trous acceptant la fiche de l'outil. Remplacer ou réparer les cordons de rallonge endommagés. S'assurer que le cordon de rallonge est en bon état. Lorsqu'on se sert d'un cordon de rallonge, s'assurer qu'il est de calibre approprié pour la tension nécessaire au fonctionnement de l'outil. L'utilisation d'un cordon de calibre inférieur occasionne une baisse de tension entraînant une perte de puissance et la surchauffe. Le tableau suivant indique le calibre approprié selon la longueur du cordon et les mentions de la plaque signalétique de l'outil. En cas de doute, utiliser un cordon de calibre supérieur. Le chiffre indiquant le calibre est inversement proportionnel au calibre du cordon.

Calibre minimal des cordons de rallonge

Longueur totale du cordon							
25 ft.	50 ft.	75 ft.	100 ft.	125 ft.	150 ft.	175 ft.	
7,6 m	15,2 m	22,9 m	30,5 m	38,1 m	45,7 m	53,3 m	
Intensité							
18 AWG	18 AWG	16 AWG	16 AWG	14 AWG	14 AWG	12 AWG	

- **CORDONS DE RALLONGE PRÉVUS POUR L'EXTÉRIEUR.** Lorsque l'outil est utilisé à l'extérieur, ne se servir que d'un cordon de rallonge conçu pour l'extérieur et portant la mention appropriée.
- **DEMEURER VIGILANT.** Travailler avec vigilance et faire preuve de bon sens. Ne pas se servir de l'outil lorsqu'on est fatigué.
- **VÉRIFIER LES PIÈCES ENDOMMAGÉES.** Avant de continuer à utiliser l'outil, il faut vérifier si le protecteur ou toute autre pièce endommagée remplit bien la fonction pour laquelle il a été prévu. Vérifier l'alignement et les attaches des pièces mobiles, le degré d'usure des pièces et leur montage, ainsi que tout autre facteur susceptible de nuire au bon fonctionnement de l'outil. Faire réparer ou remplacer tout protecteur ou toute autre pièce endommagée dans un centre de service autorisé, sauf si le présent guide fait mention d'un avis contraire. Confier le remplacement de tout interrupteur défectueux à un centre de service autorisé. Ne jamais se servir d'un outil dont l'interrupteur est défectueux.

Mesures de sécurité additionnelles relatives aux ponceuses

- **TOUJOURS PORTER DES LUNETTES DE SÉCURITÉ.**

- Nettoyer l'outil régulièrement.

▲ AVERTISSEMENT : Certains outils, tels que les sableuses électriques, les scies, les meules, les perceuses ou certains autres outils de construction, peuvent soulever de la poussière contenue dans des produits chimiques susceptibles d'entraîner le cancer, des malformations congénitales ou pouvant être nocifs pour le système reproductif. Parmi ces produits chimiques, on retrouve :

- le plomb dans les peintures à base de plomb;
- la silice cristalline dans les briques et le ciment et autres produits de maçonnerie;
- l'arsenic et le chrome dans le bois de sciage ayant subi un traitement chimique (CCA).

Le risque associé à de telles expositions peut varier selon la fréquence avec laquelle on effectue ces travaux. Pour réduire l'exposition à de tels produits, il faut travailler dans un endroit bien ventilé et utiliser l'équipement de sécurité approprié tel un masque anti-poussières spécialement conçu pour filtrer les particules microscopiques.

- **Éviter tout contact prolongé avec la poussière soulevée par cet outil ou autres outils électriques.** Porter des vêtements de protection et nettoyer les parties exposées du corps avec de l'eau savonneuse. S'assurer de bien se protéger afin d'éviter d'absorber par la bouche, les yeux ou la peau des produits chimiques nocifs.

▲ AVERTISSEMENT : Cet outil peut produire et répandre de la poussière susceptible de causer des dommages sérieux et permanents au système respiratoire. Toujours utiliser un appareil respiratoire anti-poussières approuvé par le NIOSH ou l'OSHA. Diriger les particules dans le sens opposé du visage et du corps.

▲ MISE EN GARDE : porter un dispositif de protection personnel anti-bruit approprié durant l'utilisation. Sous certaines conditions et pendant toute la durée de l'utilisation, le bruit émanant de ce produit pourrait contribuer à la perte d'audition.

CONSERVER CES MESURES

Poignée auxiliaire

L'outil comporte une poignée auxiliaire qui s'installe d'un côté ou de l'autre du boîtier avant de l'outil. Il faut s'en servir en tout temps afin de bien maîtriser l'outil.

Interrupteur à une seule vitesse (Modèle DW845 seulement)

L'outil comporte un interrupteur à une seule vitesse. Pour actionner l'outil, il suffit d'enfoncer l'interrupteur à détente illustré à la figure 2. Pour l'arrêter, relâcher l'interrupteur à détente.

On peut verrouiller l'outil en mode de fonctionnement continu en enfonçant complètement l'interrupteur à détente et en enfonçant le bouton de verrouillage illustré à la figure 2. Maintenir le bouton de verrouillage enfoncé en relâchant doucement l'interrupteur à détente. L'outil continue alors de fonctionner. Pour arrêter un outil en mode de fonctionnement continu, enfoncer et relâcher immédiatement l'interrupteur à détente. Ne pas débrancher l'outil lorsque l'interrupteur est verrouillé en mode de fonctionnement continu. S'assurer que l'outil n'est pas verrouillé en mode de fonctionnement continu lorsqu'on le branche car celui-ci démarrera immédiatement.

Interrupteur à régulateur de vitesse (Modèles DW847 et DW849 seulement)

L'outil comporte un régulateur de vitesse de 0 à 1750 trs/min (modèle DW847) et de 0 à 1000/0 à 3000 trs/min (modèle DW849). Pour actionner l'outil, il suffit d'enfoncer l'interrupteur à détente illustré à la figure 2. Plus on enfonce l'interrupteur, plus le régime de l'outil augmente. Pour l'arrêter, relâcher l'interrupteur à détente.

Utiliser les basses vitesses pour appliquer de la cire liquide; les vitesses élevées, pour enlever le liquide séché. La vitesse maximale (interrupteur complètement enfoncé) sert à procurer le lustre final au véhicule.

On peut verrouiller l'outil en mode de fonctionnement continu en enfonçant complètement l'interrupteur à détente et en enfonçant le bouton de verrouillage illustré à la figure 2. Maintenir le bouton de verrouillage enfoncé en relâchant doucement l'interrupteur à détente. L'outil continue alors de fonctionner. Pour arrêter un outil en mode de fonctionnement continu, enfoncer et relâcher immédiatement l'interrupteur à détente. Ne pas débrancher l'outil lorsque l'interrupteur est verrouillé en mode de fonctionnement continu. S'assurer que l'outil n'est pas verrouillé en mode de fonctionnement continu lorsqu'on le branche car celui-ci démarrera immédiatement.

NOTE : On peut verrouiller l'outil seulement lorsqu'il fonctionne à plein régime.

Commande du régulateur de vitesse (Modèle DW849 seulement)

On peut modifier la vitesse maximale de l'outil en faisant tourner la commande du régulateur de vitesse au réglage voulu. La commande comporte des cliquets en empêchant le mouvement imprévu et facilitant le choix de la vitesse. En outre, on peut verrouiller la commande au régime maximal et on peut alors modifier la vitesse de l'outil seulement à l'aide de la commande (fig. 3). Le régulateur électronique permet non seulement de choisir la vitesse appropriée à la tâche mais également de maintenir la vitesse choisie lorsqu'on exerce de la pression sur l'outil. La commande et le régulateur rehaussent la valeur de l'outil.

On peut régler la commande à toute vitesse entre 1000 et 3000 trs/min, puis on se sert du régulateur pour obtenir la vitesse voulue entre 0 trs/min et la vitesse prédéterminée. Ainsi, lorsque la commande est réglée à 2200 trs/min, le régulateur fonctionne entre 0 et 2200 trs/min, selon la force exercée sur la détente de l'interrupteur. Lorsque la commande est réglée à 1000 trs/min, l'outil fonctionne entre 0 et 1000 trs/min.

La fonction électronique entre en action lorsque la détente est complètement enfoncée et que l'outil fonctionne au régime maximal, selon le réglage de la commande. Lorsqu'on exerce une pression sur l'outil (et que la détente est complètement enfoncée), le circuit électronique de l'outil compense pour la charge et maintient la vitesse choisie. Ainsi, lorsque la commande est réglée à 2 200 trs/min, comme dans l'exemple précédent, l'outil fonctionne toujours à 2200 trs/min même lorsqu'on y exerce une pression.

Voici deux points importants à se rappeler relatifs à la commande électronique.

1. La commande électronique fonctionne seulement lorsque l'interrupteur à détente est complètement enfoncé.
2. L'effet de la commande électronique se voit mieux lorsque l'outil est réglé à basses vitesses (moins de 2600 trs/min). Lorsque l'outil fonctionne à près de 3000 trs/min, son effet se remarque moins.

Il faut se rappeler qu'une polisseuse traditionnelle fonctionnant à 2400 trs/min sous vide fonctionne à environ 2000 trs/min sous charge. Le modèle DW849 continue de fonctionner à 2400 trs/min (ou à toute vitesse choisie) lorsqu'on y exerce une pression. Puisque la vitesse de l'outil ne diminue pas, il faut s'habituer au fonctionnement de l'outil et prendre soin lors de son utilisation. On peut évidemment diminuer le régime de l'outil à l'aide de la détente ou de la commande.

Bouton de verrouillage de l'arbre (Fig. 1)

METTRE L'OUTIL HORS TENSION ET LE DÉBRANCHER.

Afin d'empêcher le mouvement de l'arbre de l'outil lors de l'installation ou du retrait d'accessoires, l'outil comporte un bouton de verrouillage qui se trouve près des engrenages de l'outil. Pour verrouiller l'arbre, il faut enfoncer le bouton et le maintenir enfoncé. NE JAMAIS ENFONCER LE BOUTON DE VERROUILLAGE DE L'ARBRE LORSQUE L'OUTIL FONCTIONNE.

Installation et retrait des tampons de polissage (Figures 4 et 5)

METTRE L'OUTIL HORS TENSION ET LE DÉBRANCHER.

Pour installer le tampon, pousser le moyeu de la rondelle de serrage dans le trou au fond au centre du tampon. Engager le trou hexagonal dans le tampon d'appui. Tout en retenant fermement les trois pièces ensemble, les placer sur l'arbre de l'outil. Enfoncer le bouton de verrouillage de l'arbre en faisant tourner les tampons dans le sens horaire afin de les fileter complètement sur l'arbre.

Pour retirer les tampons, les faire tourner à la main dans le sens opposé afin d'engager le bouton de verrouillage, puis les dévisser (filet à droite).

NOTE : Lorsqu'on utilise une coiffe à polir au lieu d'un tampon de polissage, il faut d'abord placer la rondelle de serrage, recouvrir le tampon d'appui de la coiffe à polir et bien serrer les ficelles de la coiffe. Faire un nœud, puis le glisser avec les bouts de ficelle complètement sous la coiffe.

▲ AVERTISSEMENT : LE NŒUD ET LES BOUTS DE FICELLE DOIVENT COMPLÈTEMENT DISPARAÎTRE SOUS LA COIFFE AU RISQUE D'OCCASIONNER DE GRAVES BLESSURES.

Polissage

Les directives et suggestions suivantes ont pour but de faciliter le fonctionnement général de l’outil. Chacun développera ses propres techniques afin de se faciliter la tâche et de l’accélérer en connaissant mieux l’outil.

Prendre soin lorsqu’on polit des objets pointus ou des angles aigus de la carrosserie. Il est essentiel d’exercer la pression appropriée sur les différentes sections de la carrosserie d’un véhicule. Ainsi, il faut exercer une légère pression sur l’outil lorsqu’on polit les arêtes tranchantes de la carrosserie ou les rebords des gouttières du capot.

Puisqu’il existe différents types de produits de polissage, il est conseillé de nettoyer et de polir un coin plat du véhicule au préalable. On peut alors déterminer de la force à utiliser sur l’outil afin d’obtenir le lustre voulu.

Se rappeler que les différents produits ne procurent pas tous les mêmes résultats. Différentes marques réagissent différemment sur différents types de surfaces peintes. En outre, on utilise une polisseuse électrique qui donne des résultats complètement différents si on les compare au polissage manuel. Il faut laver le véhicule avant de le polir. On enlève de la sorte toute trace de poussière, de sel et de crasse qui peut agir comme abrasif et qui peut abîmer la peinture. De plus, ces saletés peuvent bloquer le tampon et il faudra le nettoyer plus souvent.

Sans actionner l’outil, en saisir les poignées et le soulever. Mettre l’outil en marche alors qu’il ne touche pas à la carrosserie. Bien saisir les poignées et utiliser l’outil sans effort ni pression indue. On peut aisément placer la poignée latérale d’un côté ou de l’autre de l’outil (pour les droitiers ou les gauchers).

NOTE : Le frottement à haute vitesse de la coiffe à polir contre la surface du véhicule peut occasionner une accumulation de statique sur les sections métalliques de l’outil. On peut alors ressentir une légère secousse électrique lorsqu’on touche aux composants métalliques de l’outil. Cette secousse sera un peu plus forte lorsque la teneur en humidité de l’air est basse. Ce phénomène n’est pas dangereux mais il est conseillé de confier l’outil au personnel d’un centre de service DeWALT afin de vérifier s’il ne s’agit pas d’une défaillance électrique.

Ponçage (Modèle DW849 seulement)

INSTALLATION ET RETRAIT DES DISQUES ABRASIFS (FIGURES 6, 7 ET 8)

METTRE L’OUTIL HORS TENSION ET LE DÉBRANCHER.

Pour installer le disque abrasif, pousser le moyeu de la rondelle de serrage à fond dans le centre des disques abrasif et phénolique ainsi que du tampon d’appui. Engager les filets de la rondelle de serrage sur l’arbre de l’outil et visser dans le sens horaire complètement au fond de l’arbre. Empêcher l’arbre de tourner à l’aide du bouton de verrouillage.

Pour retirer le disque abrasif, utiliser un chiffon ou un gant pour se protéger la main. Faire le disque dans le sens antihoraire (fig. 8). Empêcher l’arbre de tourner à l’aide du bouton de verrouillage.

Ponçage (Modèle DW849 seulement)

(Voir la figure 9.) Lorsqu’on utilise un disque abrasif, saisir l’outil de sorte qu’il y ait un angle de 10 à 15° entre le disque et le matériau à poncer. Lorsqu’on utilise seulement le rebord extérieur du disque abrasif, cela procure une coupe grossière. Lorsque le disque repose à plat contre le matériau, le ponçage est irrégulier et l’outil est difficile à maîtriser.

Nettoyage

Il faut nettoyer régulièrement le carter du moteur à l’aide d’air comprimé afin de souffler la poussière, la charpie provenant de la coiffe et les saletés hors du carter. De la poussière et des saletés renfermant des particules métalliques s’accumulent souvent à l’intérieur de l’outil et cela présente un risque de secousses électriques si l’outil n’est pas nettoyé fréquemment.

▲MISE EN GARDE : *Ne jamais utiliser des solvants ni tout autre produit chimique pour nettoyer les composants non métalliques de l’outil. Se servir d’un chiffon propre et sec seulement.*

Lubrification

Les outils DeWALT sont bien lubrifiés en usine et ils sont prêts à servir. Il faut les lubrifier de nouveau régulièrement à tous les 60 jours à 6 mois, selon l’usage. (Les outils utilisés constamment pour la production ou pour des tâches de service intensif ainsi que les outils exposés à la chaleur peuvent nécessiter une lubrification plus fréquente.) Confier la lubrification de l’outil seulement au personnel qualifié des centres de service DeWALT.

Balais du moteur

S’assurer que l’outil est débranché avant d’en vérifier les balais. Il faut examiner les balais au carbone régulièrement afin d’en observer le degré d’usure. Pour ce faire, dévisser les couvercles en plastique d’inspection des balais (de chaque côté du carter du moteur). Puis, retirer les ressorts et les balais de l’outil. Les balais devraient être propres et glisser librement dans leurs guides. Il y a des symboles sur les balais. Lorsque l’usure des balais atteint la ligne près du ressort, il faut les remplacer. On peut se procurer de nouveau balais aux centres de service (consulter la rubrique «Outils électriques» des Pages Jaunes.) Le système CHECKPOINT^{mc} arrête automatiquement l’outil lorsque les balais sont usés afin de ne pas endommager le moteur.

Accessoires

Les accessoires recommandés pour l’outil sont vendus chez les détaillants et aux centres de service de la région. La liste complète des centres de service se trouve dans l’emballage.

▲MISE EN GARDE : *L’utilisation de tout accessoire non recommandé peut être dangereuse.*

Pour trouver un accessoire, composer le 1(800)94-DeWALT (1(800)433-9258) ou communiquer à l’adresse suivante :DeWALT Industrial Tool Co., 701 East Joppa Road, Baltimore, MD 21286, É.-U.

Utiliser seulement des accessoires dont la vitesse nominale correspond au moins à la vitesse sous vide indiquée sur la plaque signalétique de l’outil. Cette mesure vaut pour tout accessoire et pour tout outil.

Tampons d’appui en caoutchouc : Tampon d’appui en caoutchouc super-flexible à dégagement rapide de 178mm (7 po), (comprend une rondelle de serrage).

Tampons de polissage et coiffes à polir : Il existe une gamme de tampons et de coiffes pour les polisseuses de 178mm (7 po) et de 229mm (9 po). Vérifier au centre de service DeWALT de la région.

Réparations

Pour assurer la SÉCURITÉ D’EMPLOI et la FIABILITÉ de l’outil, n’en confier la réparation, l’entretien et les rajustements (y compris l’inspection et le remplacement des balais) qu’au personnel d’un centre de service DeWALT ou d’un atelier d’entretien autorisé n’utilisant que des pièces de rechange identiques.

Garantie limitée de trois ans

DeWALT réparera, sans frais, tout produit défectueux causé par un défaut de matériel ou de fabrication pour une période de trois ans à compter de la date d’achat. La présente garantie ne couvre pas les pièces dont la défectuosité a été causée par une usure normale ou l’usage abusif de l’outil. Pour obtenir de plus amples renseignements sur les pièces ou les réparations couvertes par la présente garantie, visiter le site www.dewalt.com ou composer le 1 800 433-9258 (1 800 4-DeWALT). Cette garantie ne s’applique pas aux accessoires et ne vise pas les dommages causés par des réparations effectuées par un tiers. Cette garantie confère des droits légaux particuliers à l’acheteur, mais celui-ci pourrait aussi bénéficier d’autres droits variant d’un état ou d’une province à l’autre.

En plus de la présente garantie, les outils DeWALT sont couverts par notre :

CONTRAT D’ENTRETIEN GRATUIT D’UN AN

DeWALT entretiendra l’outil et remplacera les pièces usées au cours d’une utilisation normale et ce, gratuitement, pendant une période d’un an à compter de la date d’achat, et la

GARANTIE DE REMBOURSEMENT DE 90 JOURS

Si l’acheteur n’est pas entièrement satisfait, pour quelque raison que ce soit, du rendement de l’outil électrique, du laser ou de la cloueuse DeWALT, celui-ci peut le retourner, accompagné d’un reçu, dans les 90 jours à compter de la date d’achat, pour obtenir un remboursement intégral, sans aucun problème.

PRODUIT RÉNOVÉ : Tout produit rénové est couvert par une garantie gratuite d’entretien d’un an. Les garantie de remboursement sous 90 jours et garantie limitée de trois ans ne s’appliquent pas aux produits rénovés.

REPLACEMENT GRATUIT DE L’ÉTIQUETTE : Si vos étiquettes d’avertissement deviennent illisibles ou sont manquantes, composez le 1-800-4-DeWALT pour obtenir une étiquette de remplacement gratuite.

Instrucciones importantes de seguridad

▲ADVERTENCIA: *Siempre que utilice herramientas eléctricas debe seguir algunas precauciones básicas de seguridad para reducir los riesgos de incendio, choque eléctrico y lesiones personales. Entre estas precauciones se encuentran las siguientes:*

LEA TODAS LAS INSTRUCCIONES

Doble aislamiento

Las herramientas con doble aislamiento se han construido con dos capas separadas de aislamiento eléctrico o una de espesor doble entre usted y el sistema eléctrico de la herramienta. Las herramientas fabricadas con este sistema de aislamiento no están diseñadas para conectarse a tierra. Como resultado, su herramienta está equipada con una clavija de dos patas que le permite emplear cables de extensión sin preocuparse por tener una conexión a tierra.

NOTA: El doble aislamiento no reemplaza a las precauciones básicas de seguridad al operar esta herramienta. El sistema de aislamiento brinda protección adicional contra las lesiones resultantes de posibles fallas en el aislamiento eléctrico de la herramienta.

▲PRECAUCIÓN: *CUANDO HAGA SERVICIO A SUS HERRAMIENTAS EMPLEE ÚNICAMENTE REFACCIONES IDÉNTICAS. Repare o reemplace los cables dañados.*

Clavijas polarizadas

Se emplean clavijas polarizadas (con una pata más ancha que la otra) para reducir el riesgo de choque eléctrico. Estas clavijas se ajustan a las tomas de corriente de una sola manera. Si la clavija no se acopla completamente en la toma, inviértala. Si aún así no se ajusta, contacte a un electricista calificado para que le instale el contacto adecuado. No modifique la clavija en ninguna manera.

Instrucciones de seguridad para todas las herramientas

- CONSERVE LIMPIA EL ÁREA DE TRABAJO.** *Las áreas y los bancos con objetos acumulados en desorden propician los accidentes.*
- DELE PRIORIDAD AL AMBIENTE DE TRABAJO.** *No exponga las herramientas eléctricas a la lluvia. No utilice herramientas eléctricas en lugares húmedos o inundados. Ilumine bien la zona de trabajo. No utilice las herramientas eléctricas en presencia de líquidos o gases inflamables.*
- PROTÉJASE CONTRA EL CHOQUE ELÉCTRICO.** *Evite el contacto corporal con superficies aterrizadas, por ejemplo: tuberías radiadores, hornos, gabinetes de refrigeración, etc.*
- CONSERVE APARTADOS A LOS NIÑOS.** *No permita que niños ni otros visitantes toquen la herramienta ni los cables de extensión. Todos los visitantes deben apartarse del área de trabajo.*
- GUARDE LAS HERRAMIENTAS QUE NO EMPLEE.** *Siempre que no use las herramientas, debe guardarlas en un lugar seco y elevado o bajo llave, fuera del alcance de los niños.*
- NO FUERCE LA HERRAMIENTA.** *Esta hará el trabajo mejor y de manera más segura bajo las especificaciones para las que se diseñó.*
- EMPLEE LA HERRAMIENTA ADECUADA.** *No fuerce a una herramienta pequeña o a sus dispositivos en una tarea destinada a una herramienta de alto rendimiento. No utilice la herramienta para tareas para las que no ha sido diseñada.*
- VÍSTASE DE MANERA ADECUADA.** *No utilice ropas sueltas ni joyas, pueden quedar atrapadas en las partes móviles. Se recomienda el uso de guantes y calzado antiderrapante cuando trabaje a la intemperie. Cúbrase el cabello si lo tiene largo. Las rejillas de ventilación cubren partes móviles y también deben evitarse.*
- UTILICE GAFAS DE SEGURIDAD.** *También utilice una mascarilla contra polvo si la operación lo produce.*
- NO MALTRATE EL CABLE.** *Nunca cargue la herramienta por el cable ni tire de éste para desconectarlo de la toma de corriente. Aléjelo de calor, aceite y bordes afilados.*
- ASEGURE LAS PIEZAS DE TRABAJO.** *Utilice prensas para sujetar su pieza de trabajo; es más seguro que usar su mano y le deja ambas manos libres para operar la herramienta.*
- NO SE SOBREEXTIENDA.** *Apoye bien los pies y conserve el equilibrio siempre.*
- CUIDE SUS HERRAMIENTAS.** *Conserve sus herramientas limpias y afiladas para un rendimiento mejor y más seguro. Siga las instrucciones de lubricación y cambio de accesorios. Revise la herramienta periódicamente y si está dañada, hágala reparar por una estación de servicio autorizada. Revise los cables de extensión periódicamente y reemplácelos si están dañados. Conserve las empuñaduras secas, limpias y libres de aceite y grasa.*
- DESCONECTE LAS HERRAMIENTAS O ASEGÚRELAS EN POSICIÓN DE APAGADO.** *Desconecte la herramienta cuando no la utilice, cuando la cambie de lugar, antes de darle servicio y cuando le cambie accesorios como brocas, puntas o cortadores.*
- QUITE LAS LLAVES DE AJUSTE Y LAS HERRAMIENTAS DE MANO.** *Acostúmbrese a verificar que se hayan retirado todas las llaves antes de encender la unidad.*
- EVITE EL ENCENDIDO ACCIDENTAL.** *No acarree la herramienta con el dedo en el interruptor. Asegúrese que el interruptor esté en posición de apagado antes de conectar la unidad.*

	Calibre mínimo requerido (AWG) para cables de extensión					
Longitud total del cable de extensión						
25 ft.	50 ft.	75 ft.	100 ft.	125 ft.	150 ft.	175 ft.
7,6 m	15,2 m	22,9 m	30,5 m	38,1 m	45,7 m	53,3 m
Calibre promedio del alambre						
18 AWG	18 AWG	16 AWG	16 AWG	14 AWG	14 AWG	12 AWG

- CABLES DE EXTENSIÓN PARA INTEMPERIE.** *Cuando utilice la herramienta a la intemperie, utilice únicamente extensiones destinadas para este uso y marcadas así.*
- ESTE ALERTA.** *Concéntrese en lo que hace. Utilice el sentido común. No opere la herramienta si está cansado.*
- REVISE LAS PARTES DAÑADAS.** *Antes de seguir usando la herramienta, debe revisar las guardas y otras partes para determinar realizarán su función adecuadamente. Revise la alineación de las partes móviles, la manera en que están sujetas, que no haya piezas o soportes rotos, y cualesquiera otras condiciones que puedan afectar la operación. Una guarda u otra pieza que esté dañada debe ser reparada o reemplazada en un centro de servicio autorizado. No use la herramienta si el interruptor no enciende y apaga.*

Instrucciones adicionales de seguridad para lijadoras

- UTILICE SIEMPRE PROTECCIÓN EN LOS OJOS.**

- Limpie su herramienta periódicamente.

▲ADVERTENCIA : *Parte del polvo creado al lijar, aserruchar, moler o perforar con máquina, así como al realizar otras actividades de la construcción, contiene sustancias químicas que se sabe producen cáncer, defectos congénitos u otras afecciones reproductivas. Algunos ejemplos de esas sustancias químicas son:*

- plomo de pinturas a base de plomo,
- sílice cristalizado de ladrillos y cemento y otros productos de albañilería, y
- arsénico y cromo de la madera químicamente tratada (CCA).

El riesgo al contacto con estas sustancias varía, según la frecuencia en que se haga este tipo de trabajo. Para reducir la exposición a esas sustancias químicas: trabaje en un área bien ventilada, y trabaje con equipos de seguridad aprobados, tales como máscaras contra el polvo especialmente diseñadas para filtrar las partículas microscópicas.

- Evite el contacto prolongado con polvos originados por lijar, aserrar, esmerilar, taladrar y otras actividades constructivas.** *Vista ropas protectoras y lave las áreas expuestas con agua y jabón. Permitir que el polvo se introduzca en su boca, ojos, o dejarlo sobre la piel promueve la absorción de químicos dañinos.*

⚠ **ADVERTENCIA:** *La utilización de esta herramienta puede originar polvo o dispersarlo, lo que podría causar daños graves y permanentes al sistema respiratorio, así como otras lesiones. Siempre use protección respiratoria aprobada por NIOSH/OSHA, apropiada para su uso en condiciones de exposición al polvo. Procure que las partículas no se proyecten directamente sobre su rostro o su cuerpo.*

⚠**PRECAUCION:** *Utilice la protección auditiva apropiada durante el uso. Bajo ciertas condiciones de duración de uso, el ruido producido por este producto puede contribuir a la pérdida auditiva.*

CONSERVE ESTAS INSTRUCCIONES

Mango auxiliar

Su herramienta cuenta con un mango auxiliar que puede instalarse a cualquiera de ambos lados de la carcaza frontal. Este mango debe utilizarse siempre para conservar control completo de la herramienta.

Interruptor de una velocidad (Solamente DW845)

Estas herramientas están equipadas con un interruptor de encendido y apagado de una velocidad. Para encender la herramienta, oprima el interruptor de gatillo como se observa en la figura 2. Para apagar la herramienta, libere el interruptor de gatillo.

La herramienta puede asegurarse en modo de encendido permanente para operación continua oprimiendo el gatillo a fondo y presionando el botón del seguro ilustrado en la figura 2. Sujete el botón del seguro mientras suelta lentamente el interruptor de gatillo. La herramienta continuará en funcionamiento. Para apagar la herramienta desde la posición de encendido permanente, oprima y libere el interruptor de gatillo una vez. No desconecte la herramienta con el mecanismo de encendido permanente activado. Asegúrese que no esté asegurada en posición de encendido permanente al conectarla, pues se encenderá inmediatamente.

Interruptor de velocidad variable (Solamente DW847 y DW849)

Estas herramientas están equipadas con un interruptor de velocidad variable que permite controlar la velocidad de (cero a 1750 RPM - DW847) (cero a 1000/3000 RPM - DW849). Para encender la herramienta, oprima el interruptor de gatillo mostrado en la figura 2 hasta que la herramienta se encienda. Mientras más oprima el gatillo, la herramienta funcionará a mayor velocidad. Al soltar el gatillo se apaga la herramienta.

Utilice velocidades bajas para aplicar ceras y pulimentos líquidos y velocidades altas para remover el líquido ya seco. Utilice la mayor velocidad (con el gatillo oprimido a fondo) para obtener el lustre final.

La herramienta puede asegurarse en modo de encendido permanente para operación continua oprimiendo simultáneamente el interruptor de gatillo a fondo y el botón del seguro ilustrado en la figura 2. Conserve oprimido el botón del seguro mientras libera lentamente el gatillo. La herramienta continuará en funcionamiento. Para apagar la herramienta desde la posición de encendido permanente, oprima y libere el interruptor de gatillo una vez. No desconecte la herramienta con el mecanismo de encendido permanente activado. Asegúrese que no esté asegurada en posición de encendido permanente al conectarla, pues se encenderá inmediatamente.

NOTA: El gatillo se puede asegurar únicamente con la herramienta funcionando a las RPM máximas.

Perilla de control de velocidad (Solamente DW849)

Se puede cambiar la velocidad máxima de su herramienta girando la perilla de control de velocidad a la posición deseada. La perilla cuenta con posiciones preestablecidas para evitar movimientos inadvertidos en la perilla y facilitar la selección de velocidad. Para mayor versatilidad, se puede asegurar el interruptor de gatillo en la posición de mayor velocidad y cambiar la velocidad de operación de la herramienta por medio de la perilla de control (observe la figura 3).

El control electrónico de velocidad no sólo le permite seleccionar la que mejor se acomode a su trabajo, también le ayuda a conservar la velocidad al aplicarle carga a la herramienta al presionarla hacia abajo. Esta característica, junto con el interruptor de gatillo de velocidad variable, le brindan gran utilidad a su herramienta.

La perilla de control de velocidad se puede ajustar para cualquier velocidad entre 1000 y 3000 RPM y el interruptor de velocidad variable controlará la velocidad de la herramienta desde cero hasta la velocidad seleccionada en la perilla. Por ejemplo: la posición de 2200 RPM en la perilla permitirá que el interruptor haga funcionar la herramienta entre 0 y 2200 RPM, dependiendo de qué tanto se oprima el gatillo. La perilla ajustada a 1000 RPM permitirá que el interruptor haga funcionar la herramienta desde 0 hasta 1000 RPM.

El control electrónico de velocidad entra en juego siempre que el interruptor de gatillo está presionado a fondo y la herramienta funciona a la velocidad determinada por la perilla de control. Al aplicarle carga a la herramienta presionándola contra la superficie de trabajo (con el gatillo oprimido a fondo) el circuito electrónico de la herramienta compensará por la carga y conservará la velocidad seleccionada. Si la velocidad seleccionada en la perilla de control es de 2200 RPM, como en el ejemplo anterior, la herramienta conservará las 2200 RPM al aplicarle carga. ES importante recordar dos cosas acerca del control electrónico de velocidad:

- El control electrónico de velocidad funciona únicamente cuando el gatillo está completamente oprimido.
- El efecto del control electrónico de velocidad es mucho más fácil de observarse a bajas velocidades (2600 RPM y menores), que a velocidades altas. Cuando la herramienta se acerca a las 3000 RPM, el efecto es mucho menos dramático.

Tenga en mente que con una pulidora convencional funcionado a un velocidad sin carga típica de 2400 RPM, la herramienta baja su velocidad a cerca de 2000 RPM bajo la carga aplicada l pulir. Su DW849 continuará funcionando a 2400 RPM (o a cualquiera que sea la velocidad seleccionada) al aplicar la carga. Ya que no pierde velocidad, esta puede ser mayor a la que usted está acostumbrado, así que deberá tener precaución hasta que se acostumbre a su nueva pulidora. Si siente que la velocidad es demasiado alta, usted podrá bajar la velocidad con el interruptor de gatillo o bien con la perilla de control.

Botón de seguro de la flecha (Fig. 1)

APAGUE LA HERRAMIENTA Y DESCONÉCTELA DE LA TOMA DE CORRIENTE.

Para evitar que la flecha de la herramienta gire al instalar o quitar accesorios, la caja de engranes de su herramienta cuenta con un botón de seguro de la flecha. Para asegurar la flecha, oprima y sujete el botón del seguro. NUNCA OPRIMA EL BOTÓN DEL SEGURO DE LA FLECHA CON LA HERRAMIENTA EN FUNCIONAMIENTO O GIRANDO.

Instalación y remoción de almohadillas de pulido (figuras 4 y 5)

APAGUE LA HERRAMIENTA Y DESCONÉCTELA DE LA TOMA DE CORRIENTE.

Para colocar un bonete, empuje el cubo de la roldana de seguridad a través del orificio que se encuentra en el centro de la base de respaldo tanto como sea posible. Enganche el orificio hexagonal del respaldo. Sujete con firmeza las tres piezas juntas, coloque el montaje en la flecha de la herramienta. Sujete el botón del seguro de la flecha mientras gira el respaldo en el sentido de las manecillas del reloj para atornillarlo completamente en la flecha.

Para retirar la almohadilla, gire el respaldo a mano en sentido opuesto a la rotación normal para permitir que el botón del seguro se trabe con la flecha, a continuación, desenrosque en la dirección normal para cuerda derecha.

NOTA: Si está utilizando un bonete para pulir, en vez de una almohadilla, coloque primero la roldana de seguridad, extienda el bonete completamente sobre la almohadilla de respaldo y tire de las correas hasta que estén estiradas. Haga un nudo y colóquelo junto con la cuerda suelta debajo del bonete, entre éste y la almohadilla de respaldo.

⚠**ADVERTENCIA:** *EL NUDO Y LA CUERDA SOBRENTE DEBEN COLOCARSE POR COMPLETO DEBAJO DE LA PIEZA DE TELA. NO HACER ESTO PUEDE OCASIONARLE LESIONES GRAVES.*

Pulido

Estas instrucciones y sugerencias intentan familiarizar a nuevos operadores en el funcionamiento general del pulido con máquina. Usted desarrollará con el tiempo sus propias técnicas que le harán el trabajo más rápido y más sencillo.

Debe tener el mayor cuidado al pulir alrededor o sobre objetos afilados y contornos de la carrocería del automóvil. Es muy importante utilizar la presión correcta al pulir las diferentes partes de una carrocería. Por ejemplo, deberá aplicar presión ligera para pulir sobre los bordes afilados de ciertos paneles, o sobre los bordes de las canaletas de desagüe que se encuentran en los toldos.

Ya que no todo el mundo utiliza el mismo pulimento, le recomendamos hacer primero una prueba en una sección plana del automóvil. A partir de esta sección usted podrá juzgar la fuerza o la acción de limpieza de su pulimento.

Recuerde que no todos los pulimentos son iguales. Las diferentes marcas reaccionarán de diferente manera en diversas superficies. Ahora está utilizando una pulidora de poder con pulimento de poder. Esto es completamente diferente a cualquier aplicación manual que haya realizado anteriormente. Lave el automóvil antes de pulirlo. El lavado removerá la mugre suelta, sal del camino, y otros desechos que pudiesen actuar como abrasivos y dañar la pintura. La mugre suelta también tamará el bonete de pulido y tendrá que limpiarlo más a menudo.

Sujete los mangos de la herramienta y levántela sin encenderla. Conserve la herramienta lejos de su cuerpo y encienda el interruptor. Asegúrese de sujetar los mangos con firmeza y opere la herramienta libremente, sin esfuerzo o presión innecesaria. El mango lateral puede cambiarse de lado fácilmente para operación izquierda o derecha.

NOTA: La acción a alta velocidad del bonete de pulido en la superficie del automóvil puede formar una carga estática en las partes metálicas de la herramienta. Esto puede causar la sensación de un leve choque eléctrico al tocar el área metálica de la herramienta, que es más perceptible en los días con baja humedad. Este es un fenómeno inofensivo, pero está usted invitado a traer su herramienta a un centro de servicio DeWALT para que la revisen y se aseguren que no existe un mal funcionamiento eléctrico.

Aplicación de lijado (Solamente DW849)

INSTALACIÓN Y REMOCIÓN DE DISCOS ABRASIVOS (FIGURAS 6, 7, Y 8)

APAGUE LA HERRAMIENTA Y DESCONÉCTELA DE LA TOMA DE CORRIENTE.

Para instalar un disco de lija, empuje el cubo de la roldana de seguridad a través del centro de los discos de lija y fenólico tanto como sea posible, y a través del respaldo también. Enrosque la roldana de seguridad en la flecha, en el sentido de las manecillas del reloj. Evite que la flecha gire utilizando el botón del seguro.

Para quitar un disco abrasivo, utilice un guante o un trapo para protegerse la mano. Gire el montaje del disco en sentido opuesto a las manecillas del reloj (Figura 8). Evite que la flecha gire utilizando el botón del seguro.

Lijado (Solamente DW849)

(Observe la figura 9) Cuando emplee un disco abrasivo, sujete la herramienta de manera que se forme un ángulo de 10° a 15° entre el disco y la pieza de trabajo. Si se emplea únicamente la orilla del disco de lija, obtendrá un acabado rugoso. Si presiona el disco de lija en plano contra la superficie de trabajo, la acción de lijado será irregular, y la herramienta será difícil de controlar.

Limpieza

El procedimiento de mantenimiento regular consta de sopletear con aire comprimido el bonete y la carcaza del motor. El polvo contiene partículas metálicas que se acumulan a menudo en las superficies internas, con el riesgo de ocasionar un choque eléctrico si no se limpian con frecuencia.

⚠**PRECAUCIÓN:** *Nunca utilice solventes ni otros productos químicos agresivos para limpiar las piezas no metálicas de la herramienta. Utilice únicamente un trapo seco y limpio.*

Lubricación

Las herramientas DeWALT se lubrican apropiadamente en la fábrica y están listas para usarse. Las herramientas deben relubricarse regularmente cada sesenta días a seis meses, dependiendo de su uso. (Las herramientas que se emplean constantemente en tareas pesadas o de producción, y las que se exponen al calor pueden requerir lubricación con mayor frecuencia.) Esta lubricación debe ser realizada únicamente por personal capacitado como el de los centros de servicio DeWALT u otras estaciones de servicio autorizado.

Carbones del motor

Asegúrese que la herramienta esté desconectada antes de revisar los carbones. Los carbones deben inspeccionarse regularmente en busca de desgaste. Para revisar los carbones, destornille las tapas de inspección de plástico (localizadas a los lados de la carcaza del motor) para sacar los montajes de carbones y resortes de la herramienta. Conserve los carbones limpios y deslizándose libremente en sus guías. Los carbones tienen varios símbolos estampados, cuando se han desgastado hasta la línea más cercana al resorte deben cambiarse. Hay a su disposición montajes de carbones nuevos en los centros de servicio; consulte “Herramientas eléctricas” en la sección amarilla de su directorio telefónico. Su herramienta está equipada con el sistema de carbones CHECKPOINT™. Cuando los carbones se hayan desgastado, la herramienta se apagará automáticamente para evitar daños al motor.

Accesorios

Los accesorios recomendados para emplearse con su herramienta se encuentran a su disposición con costo extra con su distribuidor o centro de servicio locales. Se incluye una lista completa de los centros de servicio con su herramienta.

⚠**PRECAUCIÓN:** *El uso de cualquier accesorio no recomendado puede ser peligroso.*

Únicamente utilice accesorios cuya velocidad máxima de operación sea por lo menos tan alta como la velocidad “NO LOAD RPM” indicada en la placa de identificación de la herramienta. Esta precaución se aplica a todos los accesorios para cualquier herramienta.

Respaldos de goma: Respaldo de goma super flexible de cambio rápido de 178 mm (7") (incluye roldana de seguridad).

Almohadillas y bonetes para pulir: DeWALT cuenta con gran variedad de bonetes y almohadillas para pulidoras de 178 mm (7") y 229 mm (9"). Busque en el centro de servicio DeWALT de su localidad.

Reparaciones

Para garantizar la SEGURIDAD y la CONFIABILIDAD, deberán hacerse reparaciones, mantenimiento y ajustes de esta herramienta en los centros autorizados de servicio DeWALT u otras organizaciones autorizadas. Estas organizaciones prestan servicio a las herramientas DeWALT y emplean siempre refacciones legítimas DeWALT.

PARA REPARACIÓN Y SERVICIO DE SUS HERRAMIENTAS ELÉCTRICAS, FAVOR DE DIRIGIRSE AL CENTRO DE SERVICIO MÁS CERCANO	
CULIACAN, SIN Av. Nicolás Bravo #1063 Sur - Col. Industrial Bravo	(667) 7 12 42 11
GUADALAJARA, JAL Av. La Paz #1779 - Col. Americana Sector Juárez	(33) 3825 6978
MEXICO, D.F. Eje Central Lázaro Cárdenas No. 18 Local D, Col. Obrera	(55) 5588 9377
MERIDA, YUC Calle 63 #459-A - Col. Centro	(999) 928 5038
MONTERREY, N.L. Av. Francisco I. Madero No.831 - Col. Centro	(81) 8375 2313
PUEBLA, PUE 17 Norte #205 - Col. Centro	(222) 246 3714
QUERETARO, QRO Av. Madero 139 Pte. - Col. Centro	(442) 214 1660
SAN LUIS POTOSI, SLP Av. Universidad 1525 - Col. San Luis	(444) 814 2383
TORREON, COAH Blvd. Independencia, 96 Pte. - Col. Centro	(871) 716 5265
VERACRUZ, VER Prolongación Díaz Mirón #4280 - Col. Remes	(229) 921 7016
VILLAHERMOSA, TAB Constitución 516-A - Col. Centro	(993) 312 5111
PARA OTRAS LOCALIDADES LLAME AL: (55) 5326 7100	

Póliza de Garantía

IDENTIFICACIÓN DEL PRODUCTO:

Sello o firma del Distribuidor.

Nombre del producto: _____ Mod./Cat.: _____

Marca: _____ Núm. de serie: _____

(Datos para ser llenados por el distribuidor)

Fecha de compra y/o entrega del producto: _____

Nombre y domicilio del distribuidor donde se adquirió el producto:

Este producto está garantizado por un año a partir de la fecha de entrega, contra cualquier defecto en su funcionamiento, así como en materiales y mano de obra empleados para su fabricación. Nuestra garantía incluye la reparación o reposición del producto y/o componentes sin cargo alguno para el cliente, incluyendo mano de obra, así como los gastos de transportación razonablemente erogados derivados del cumplimiento de este certificado.

Para hacer efectiva esta garantía deberá presentar su herramienta y esta póliza sellada por el establecimiento comercial donde se adquirió el producto, de no contar con ésta, bastará la factura de compra.

EXCEPCIONES.

Esta garantía no será válida en los siguientes casos:

- Cuando el producto se hubiese utilizado en condiciones distintas a las normales;
- Cuando el producto no hubiese sido operado de acuerdo con el instructivo de uso que se acompaña;
- Cuando el producto hubiese sido alterado o reparado por personas distintas a las enlistadas al final de este certificado.

Anexo encontrará una relación de sucursales de servicio de fábrica, centros de servicio autorizados y franquiciados en la República Mexicana, donde podrá hacer efectiva su garantía y adquirir partes, refacciones y accesorios originales.

Garantía limitada por tres años

DEWALT reparará, sin cargo, cualquier falla que surja de defectos en el material o la fabricación del producto, por hasta tres años a contar de la fecha de compra. Esta garantía no cubre fallas de las piezas causadas por su desgaste normal o abuso a la herramienta. Para mayores detalles sobre la cobertura de la garantía e información acerca de reparaciones realizadas bajo garantía, visítenos en www.dewalt.com o diríjase al centro de servicio más cercano. Esta garantía no aplica a accesorios o a daños causados por reparaciones realizadas o intentadas por terceros. Esta garantía le otorga derechos legales específicos, además de los cuales puede tener otros dependiendo del estado o provincia en que se encuentre.

Además de la garantía, las herramientas DEWALT están cubiertas por:

1 AÑO DE SERVICIO GRATUITO

DEWALT mantendrá la herramienta y reemplazará las piezas gastadas por su uso normal, sin cobro, en cualquier momento durante un año a contar de la fecha de compra.

GARANTÍA DE REEMBOLSO DE SU DINERO POR 90 DÍAS

Si no está completamente satisfecho con el desempeño de su máquina herramienta, láser o clavadora DEWALT, cualquiera sea el motivo, podrá devolverlo hasta 90 días de la fecha de compra con su recibo y obtener el reembolso completo de su dinero – sin necesidad de responder a ninguna pregunta.

PRODUCTO REACONDICIONADO: Los productos reacondicionados están cubiertos bajo la Garantía de 1 Año de Servicio Gratuito. La Garantía de 90 Días de Reembolso de su Dinero y la Garantía Limitada de Tres Años no aplican a productos reacondicionados.

SUSTITUCIÓN GRATUITA DE LAS ETIQUETAS DE ADVERTENCIA: Si las etiquetas de advertencia se vuelven ilegibles o se pierden, llame al 1-800-4-DEWALT para conseguir gratuitamente otras de repuesto.

Información Técnica

	DW849	DW847	DW845
Tensión de alimentación:	120 V AC~	120 V AC/CD~	120 V AC/CD~
Consumo de corriente:	8 A	7 A	7 A
Frecuencia de alimentación:	60 Hz	50/60 Hz	50/60 Hz
Potencia nominal:	1 400 W	700 W	700 W
Rotación sin carga:	0-1 000/0-3 000 RPM	0-1 750 RPM	2 300 RPM

IMPORTADOR: DEWALT S.A. DE C.V.
BOSQUES DE CIDROS ACCESO RADIATAS NO. 42
COL. BOSQUES DE LAS LOMAS, 3A. SECCIÓN, CP 05120
DELEGACIÓN CUAJIMALPA, MÉXICO, D.F.
TEL. 5 326 7100
R.F.C.: BDE810626-1W7

Para servicio y ventas consulte
"HERRAMIENTAS ELECTRICAS"
en la sección amarilla.

