

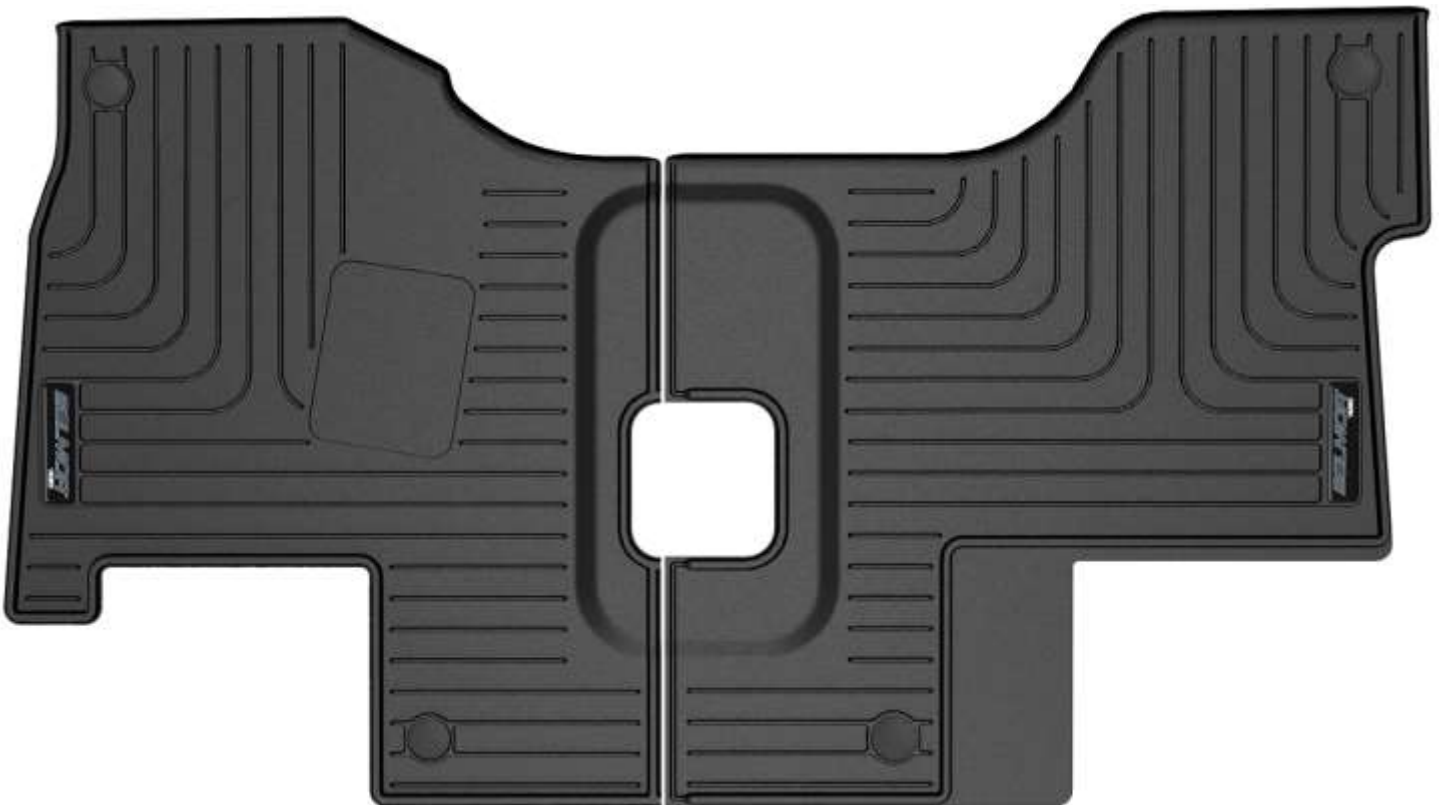
# FLOOR LINERS BY BELMOR

## CARE AND USE INSTRUCTIONS - PN: BFM1005M

---

Thank you for selecting Belmor Floor Liners. Your new floor liners are custom molded to fit your truck. The liners are designed to fit directly on the floor—any existing mats must be removed before installation. Do not install any other mats on top of these liner.

Your liners are made from an engineering resin that is lightweight and extremely tough and durable. The easiest way to clean your liners is with a damp cloth or sponge and soap and water. Windex®, 409® and Simple Green® type cleaners work as well.

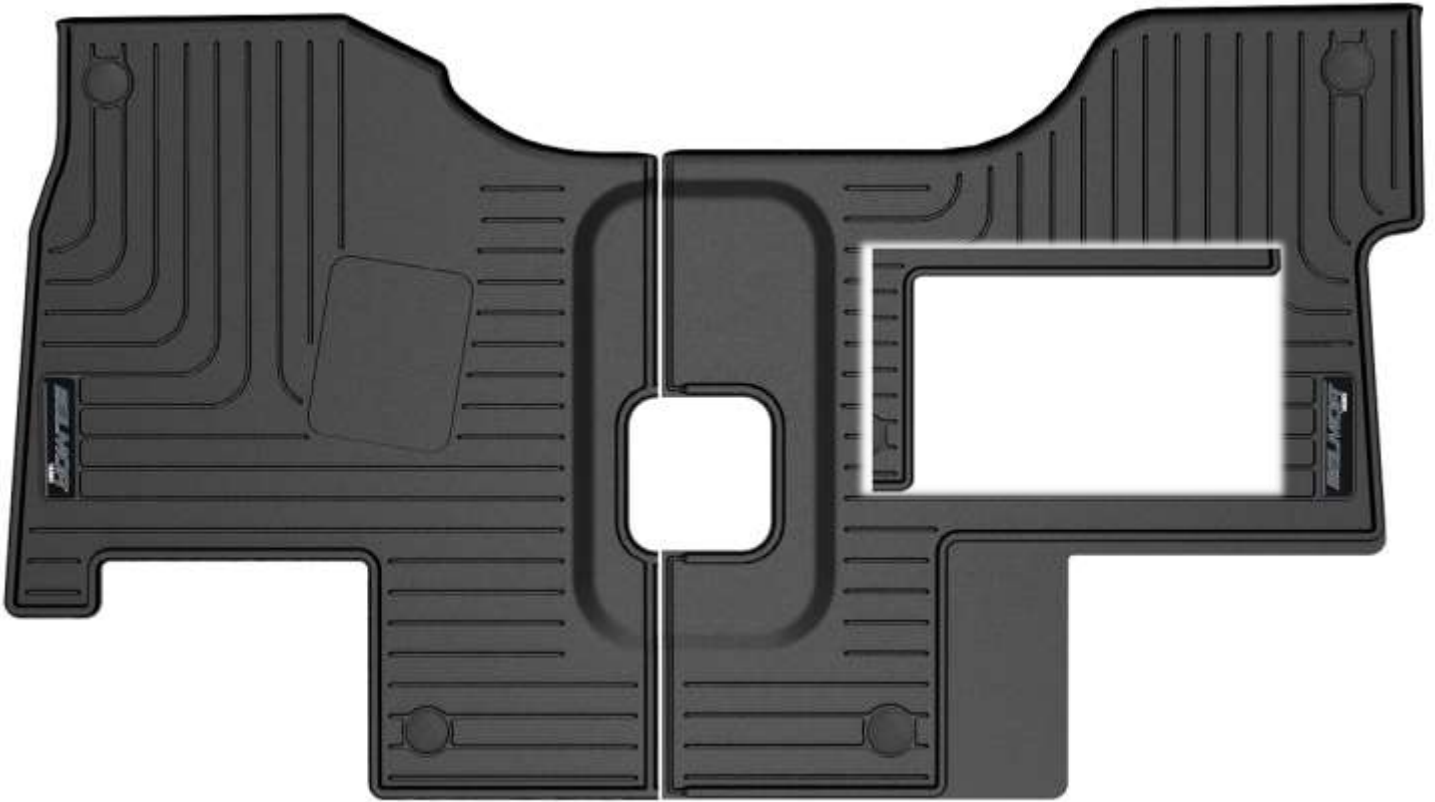


TO INSTALL YOUR LINERS, POSITION THEM IN YOUR CAB AS SHOWN ABOVE. THIS LINER SET INCLUDES **A DRIVER'S SIDE** LINER AND A PASSENGER SIDE LINER. THESE PARTS OVERLAP ALONG THE CENTER EDGE RIB TO FORM A CONTINUOUS LINER (**DRIVER'S SIDE EDGE OVERLAPS PASSENGER SIDE EDGE**).

DEPENDING ON THE OPTIONS INCLUDED IN YOUR TRUCK, TRIMMING OF THE LINERS MAY BE REQUIRED TO ACHIEVE THE PROPER FIT. TRIM INFORMATION IS INCLUDED ON THE BACK OF THIS PAGE.

ONCE THE LINERS ARE INSTALLED AND BEFORE OPERATING VEHICLE, CHECK CONTROL PEDAL OPERATION (CLUTCH, BRAKE, ACCELERATOR) AND TRANSMISSION SHIFT OPERATION TO MAKE SURE THAT THE LINERS ARE NOT INTERFERING WITH SAFE OPERATION OF THE VEHICLE. IF THERE IS ANY QUESTION ABOUT SAFE OPERATION, REMOVE LINERS AND CALL BELMOR CUSTOMER SERVICE AT 800-344-8759 FOR ASSISTANCE.

## TRIM INSTRUCTIONS



The trim for the front passenger side liners are highlighted above. These trim accommodate seat variations available in truck models. When trimming, leave the protective rib wall (see images of trim in insert view).