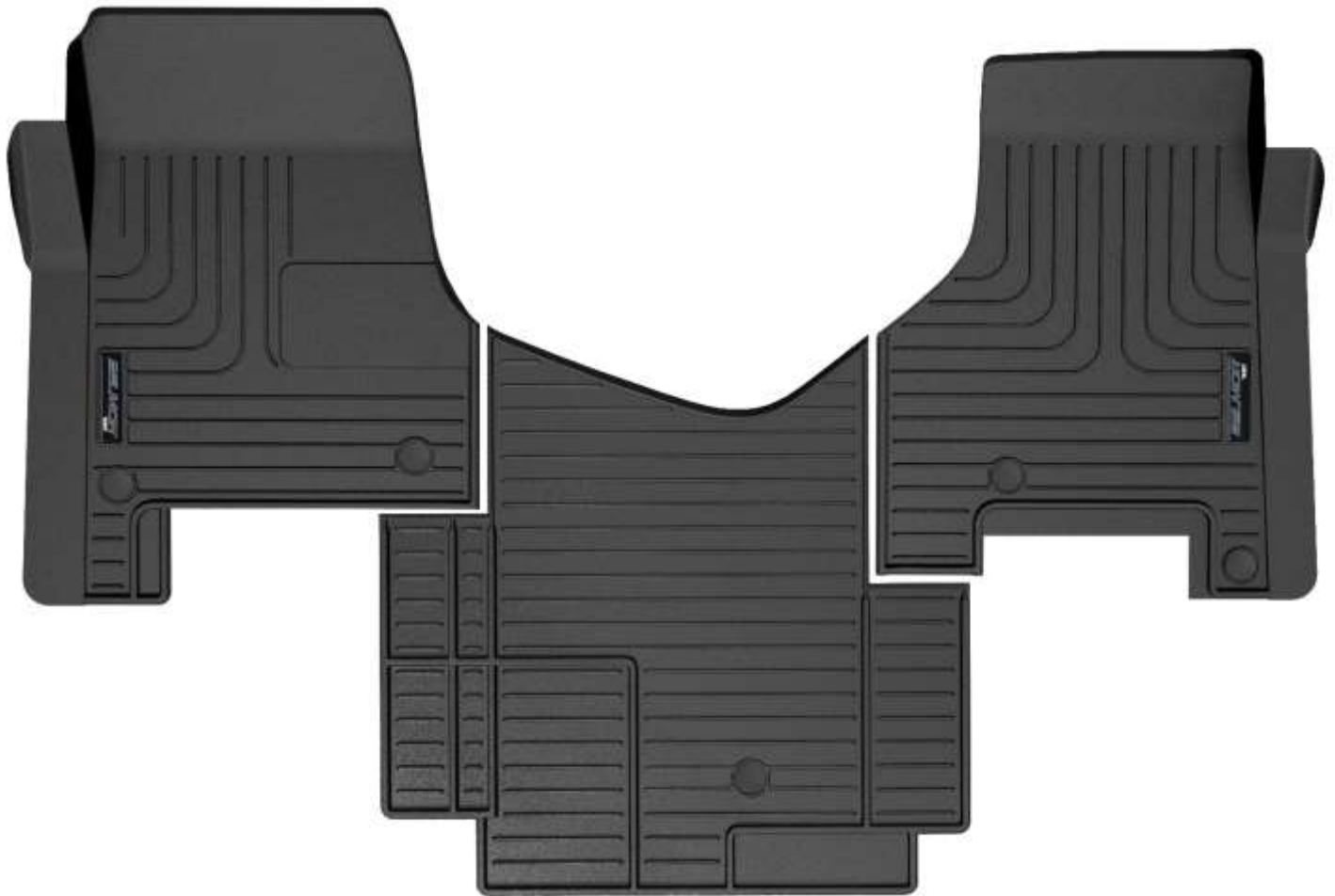


FLOOR LINERS BY BELMOR

CARE AND USE INSTRUCTIONS - PN: BFM1001A

Thank you for selecting Belmor Floor Liners. Your new floor liners are custom molded to fit your truck. The liners are designed to fit directly on the floor—any existing mats must be removed before installation. Do not install any other mats on top of these liner.

Your liners are made from an engineering resin that is lightweight and extremely tough and durable. The easiest way to clean your liners is with a damp cloth or sponge and soap and water. Windex®, 409® and ArmorAll® type cleaners work as well.

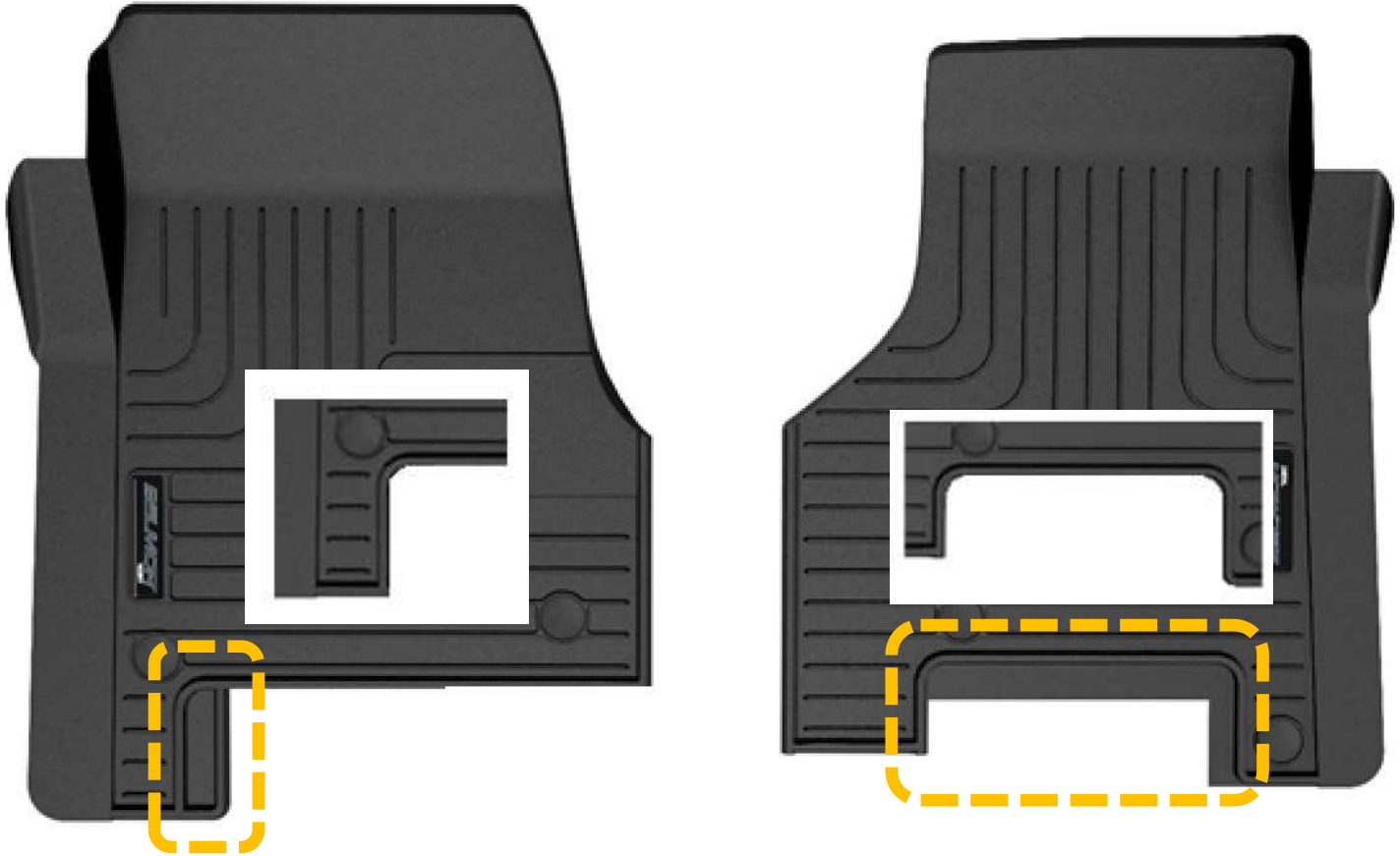


TO INSTALL YOUR LINERS, POSITION THEM IN YOUR CAB AS SHOWN ABOVE. THIS LINER SET INCLUDES **A DRIVER'S SIDE, PASSENGER SIDE AND WALKWAY LINER.** THE DRIVER AND PASSENGER SIDE LINER OVERLAP THE EDGE RIB ON THE WALKWAY LINER TO FORM A CONTINUOUS LINER.

DEPENDING ON THE OPTIONS INCLUDED IN YOUR TRUCK, TRIMMING OF THE LINERS MAY BE REQUIRED TO ACHIEVE THE PROPER FIT. TRIM INFORMATION IS INCLUDED ON THE BACK OF THIS PAGE.

ONCE THE LINERS ARE INSTALLED AND BEFORE OPERATING VEHICLE, CHECK CONTROL PEDAL OPERATION (CLUTCH, BRAKE, ACCELERATOR) TO MAKE SURE THAT THE LINERS ARE NOT INTERFERING WITH SAFE OPERATION OF THE VEHICLE. IF THERE IS ANY QUESTION ABOUT SAFE OPERATION, REMOVE LINERS AND CALL BELMOR CUSTOMER SERVICE AT 800-344-8759 FOR ASSISTANCE.

TRIM INSTRUCTIONS



Trims for the front driver and passenger side liners are highlighted above. These trims accommodate seat variations available in Freightliner Cascadia models. When trimming, leave the protective rib wall (see images of trim in insert images).

Area 1 will need to be trimmed if your truck has a DOT Roadside Emergency kit.

Area 2 will need to be trimmed for the optional thermos/cup holder assembly.

Area 3 is trimmed to accommodate the factory installed fire extinguishers. For wider seat bases, the small area to the right of area 3 may need to be removed as well.

Area 4 is an extension of area 3. It may need to be removed depending on the style and placement of the factory fire extinguisher.

