



Benefits

- *Has been independently tested on-site to show compliance with the new building regulations in accordance with Approved Document E 2003.*
- *Approved by NHBC for ADE 2003 compliance.*
- *Excellent impact and airborne performance.*
- *Offers long term performance without collapse or "bottoming" out under high point loads.*
- *Minimal creep, even under high loads.*
- *Resistant to ageing and deformation.*
- *Quick and easy to install. No need for separate perimeter strips.*
- *Minimises construction heights .*
- *High quality and exact material thickness guaranteed.*
- *Suitable for use with underfloor heating.*
- *Protects expansion joints.*
- *Supplied in easy to handle sheets.*

Description

Regupol® 7210C is a cost-effective rubber bound product manufactured in Germany by BSW GmbH. This is an under screed product designed to isolate screeds from the main structure of the building, reducing impact energy generated by general footfall.

Applications

Regupol® 7210C is used under all types of floor screeds in new build apartments and is aimed at constructions where Pre-Completion Testing (PCT) is preferred to that of a Robust Detail (RD).

Physical Information

Sheet Length	2300mm
Sheet Width	1150mm
Material Thickness	5mm

Technical Information

Tensile strength (DIN 53571)	approx. 0.7N/mm ²
Elongation at Break (DIN 53571)	approx. 75%
Stress @ 30% Compression (DIN53571)	approx. 0.9N/mm ²
Temperature Resistance	-40°C to +115°C
Fire Classification	Class B2
Airborne Sound Insulation (DnT,w + Ctr)	49dB (mean average)*
Impact Insulation (L'nTw (Ci)	46dB(mean average)**

* *Building Regulations Approved Document E (2003) requirements 45dB or greater (performance figures obtained from independent testing)*

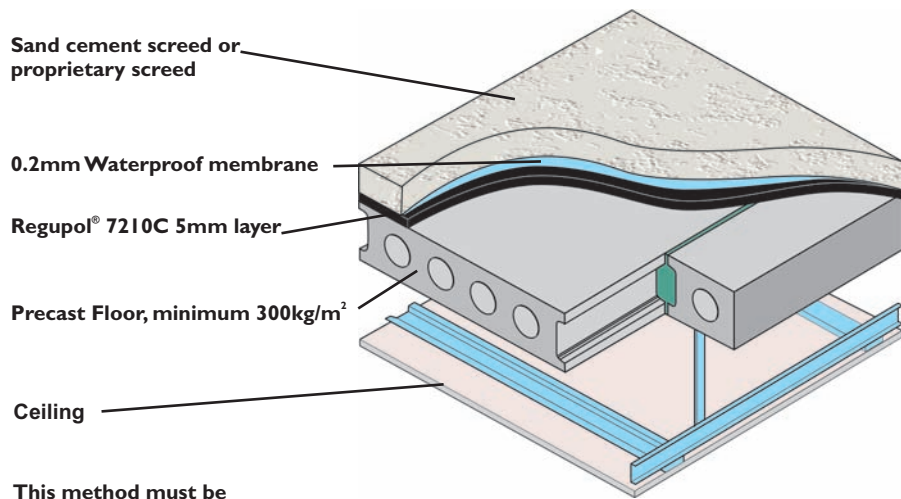
** *Building Regulations Approved Document E (2003) requirements 62dB or less (performance figures obtained from independent testing)*

Installation Guidelines

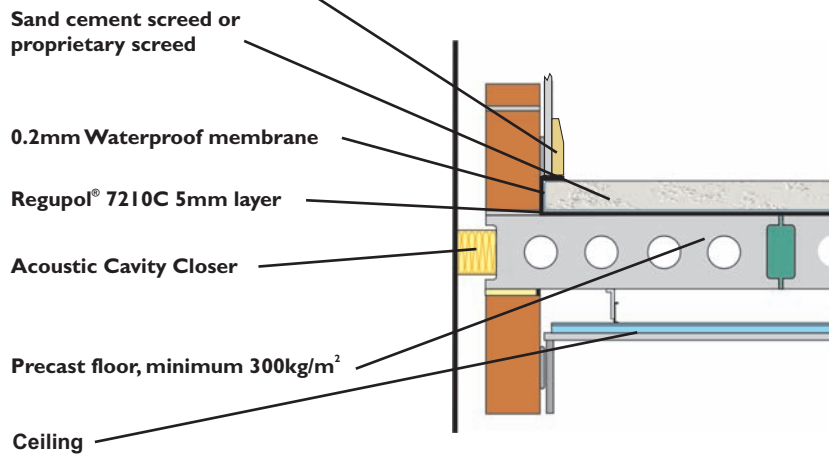
Detailed Installation Guidelines are available on request.

Installation Service

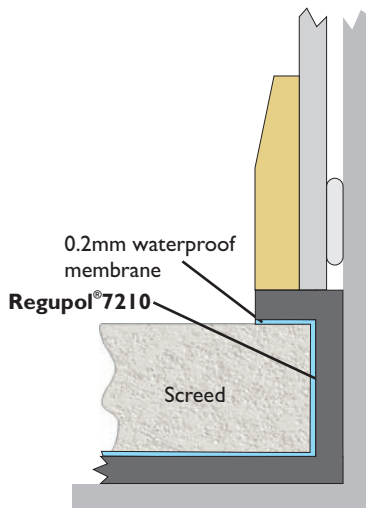
In addition to supply of this product CMS Acoustic Solutions offers a competitively-priced installation service anywhere in the UK. Use of our service ensures that installation is performed to the highest standards by tradesmen fully experienced in the specialist skills of fitting acoustic materials correctly. For further details contact our technical team on 01925 577711.



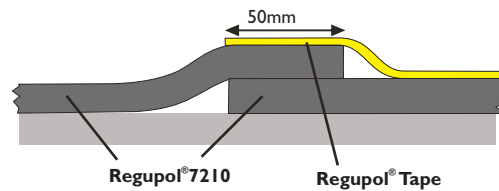
This method must be used on perimeters (see detail below)



Perimeter Detail



Joint Details



E-mail: info@cmsacoustics.co.uk

Web: www.cmsacoustics.co.uk

Northern Office: 4a, Eagle Park, Eagle Park Drive, Warrington WA2 8JA

Tel: 01925 577711 Fax: 01925 577733

Southern Office: Dugard House, Peartree Road, Colchester CO3 0UL

Tel: 01206 216690 Fax: 01206 577954

IMPORTANT: Directions for use are given for guidance only and are not intended to form part of any contract. They should be varied or adapted to suit your particular materials or conditions of use. Goods supplied by the company are made to approved standards from the highest quality raw materials but no warranty or guarantee is given as to their suitability for any particular purpose or application, and no liability is accepted for any loss or damage arising directly or indirectly from the use of the Company's products irrespective of any information given to us as to intended use of such products. It is therefore recommended that prospective users should test a sample of this product under their own conditions to satisfy themselves that the product is suitable for the purpose intended.

CADS 6020 - 5 0206 © CMS Acoustic Solutions Ltd 2006

Regupol® and Regufoam® are registered trade marks of BSW GmbH