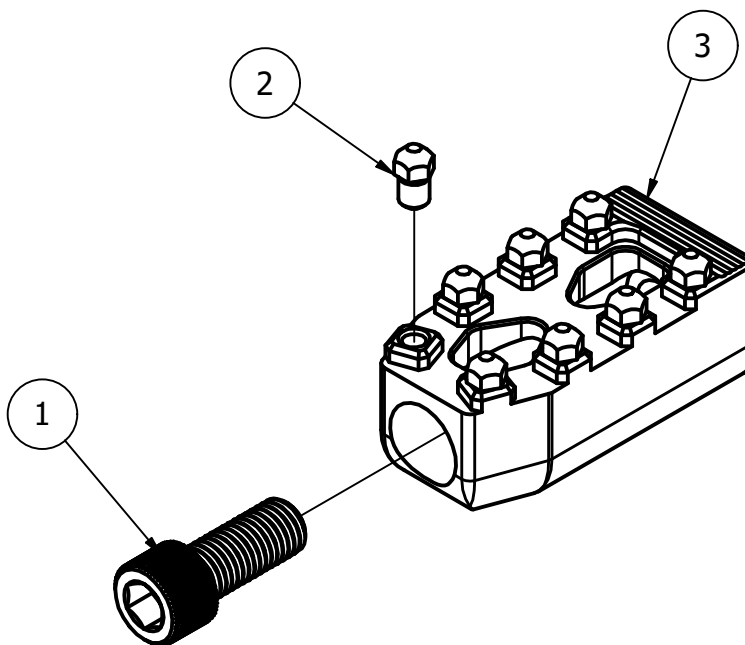


TC BROS.® PART #
102-0111 - RAW
102-0112 - BLACK
102-0113 - GOLD

PARTS LIST				
ITEM	QTY	PART NUMBER	DESCRIPTION	TORQUE VALUE
1	1	119-0482	5/16-24 x 3/4" LG SOCKET HEAD	15 FT-LB (20 N-m)
2	8	FP118UN	CLEAT	19 IN-IB (2.1 N-m)
3	1	FP121UN	MX TOE PEG (RAW), -BK (BLACK), -GD (GOLD)	

PRO SERIES MX SHIFTER PEG
 FOR HARLEY DAVIDSON MODELS

WARNING: APPLY MEDIUM STRENGTH
 THREADLOCKER (BLUE LOCTITE™ #243)
 TO ALL FASTENERS DURING FINAL ASSEMBLY.



TC BROS.
 www.tcbros.com
 419-265-9399

DOCUMENT VER 1SEPT2023

NOTE:
 ATTACH FOOTPEG ASSEMBLY TO MOTORCYCLE BY USING SUPPLIED
 HARDWARE. TORQUE TO VALUE STATED. CONSULT SERVICE MANUAL
 AND/OR PROFESSIONAL MOTORCYCLE TECHNICIAN IF NECESSARY.