

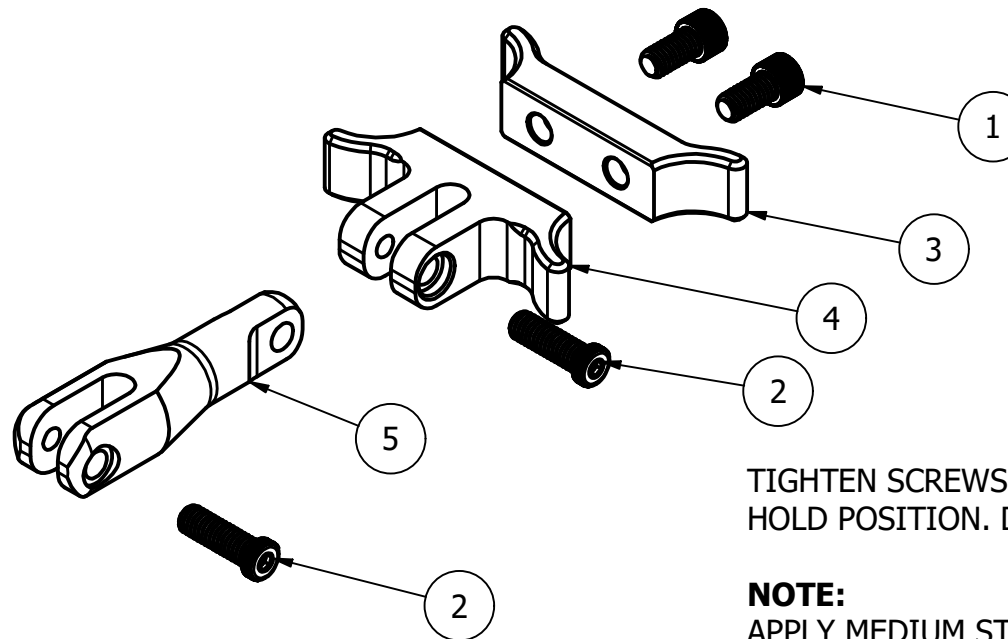
TC BROS.®

## Pro Series Gauge Relocation Bracket for 1-1/4 Risers and T-Bars

**101-0338 - RAW**

**101-0339 - BLACK**

PARTS LIST				
ITEM	QTY	101-0338 PART NUMBER	101-0339 PART NUMBER	DESCRIPTION
1	2	119-0472	119-0472	5/16-18 X 5/8" LG SS SOCKET HEAD CAP SCREW
2	2	119-0473	119-0473	5/16-18 X 1" LG SS LOW PROFILE SOCKET HEAD SCREW
3	1	HB359BT	HB359BT-BK	CLAMP HALF BACK SIDE
4	1	HB360BT	HB360BT-BK	CLAMP HALF GAUGE SIDE
5	1	HB361BT	HB361BT-BK	GAUGE MOUNT ARM

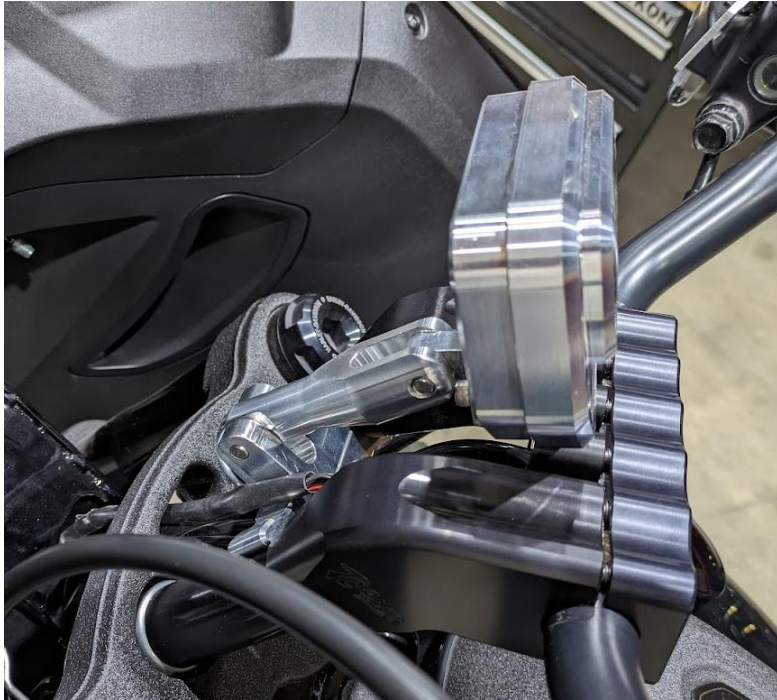


TC BROS.  
www.tcbros.com  
419-265-9399

TIGHTEN SCREWS SO CLAMP AND LINKAGE  
HOLD POSITION. DO NOT EXCEED 100 IN-LB

**NOTE:**  
APPLY MEDIUM STRENGTH THREADLOCKER  
(BLUE LOCTITE® 243 OR EQUIVALENT)  
TO ALL THREADED FASTENERS.

Relocation Bracket is fully adjustable at installation to allow rider to position gauge at different angle and heights. Examples of mounting can be seen in pictures below. Digital Gauge Relocation Housing, TC Bros Part #101-0344, show for for reference, not included in this kit.



101-0338 Relocation Bracket, Top Mounting Option



101-0338 Relocation Bracket, Bottom Mounting Option