

## Best PS120 Sliding Fire Door Set

The PS120 sliding fire door set is used where a large opening in a fire separation (up to 10m<sup>2</sup>) is required to be closed off in the event of a fire and/or in daily use.

The slider may be concealed behind an appropriate cavity wall. Automatic opening and closing is not currently available for Sliding Fire Doors.

The PS120 is a sliding fire door set. The door leaf can be faced in plywood or steel sheet, and is capped with steel channel to 4 edges and hung from a sliding track system.

A counterweight system, released by a fusible link or electromagnetic hold open devices that are linked to a fire detection system, closes the door leaf in the event of a fire.

For higher fire ratings and larger sized doors refer to the PS240 slider.

PS120 is not available as a smoke control door set.

The thickness of the PS120 door leaf is 65mm with an approximate leaf weight of at least 31kg/m<sup>2</sup>

Wall Type	Maximum Fire Resistance Rating Stability/Integrity/Insulation	Door Application	Max Leaf Height (mm)	Max Leaf Width (mm)
Timber Stud Wall Masonry Wall	-/120/30sm	Single	4000	3000

### Notes:

The PS120 is not available as a 'pair' door set.

The maximum area per sliding door leaf is 10.5m<sup>2</sup>

## Product Options

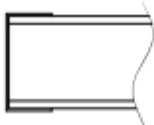
### LEAF FACINGS

Plywood

Steel Sheet 0.9mm

### LEAF EDGES

The leaf edges listed below are available for the PS120 door set



Folded Steel/Alu Cap

### HARDWARE/CLOSING SYSTEMS

A Standard Track System is supplied with this door set.

### STANDARD CLOSER

Weight and pulley system with self-closure activated by fusible link in the event of fire.

### ELECTROMAGNETIC CLOSING WEIGHT SYSTEM

A weight and pulley system modified for electromagnetic release is available. Closure is on fire/smoke detection activated by sensors (by others) mounted each side of the door set to lintel or ceiling.

### FRAME TYPES & PROFILES

Please refer to the installation instructions for this door set for more information.

### MEETING STILES

Not applicable for this door set.

### WALL TYPES

## Masonry

The Best doors Slider may be hung from a concrete or masonry wall either of precast concrete (thickness 100mm minimum) or grouted blockwork (thickness 190mm minimum).

## Dry walls

Special wall construction is required for mounting on plasterboard walls. Please contact Best Doors for further information.

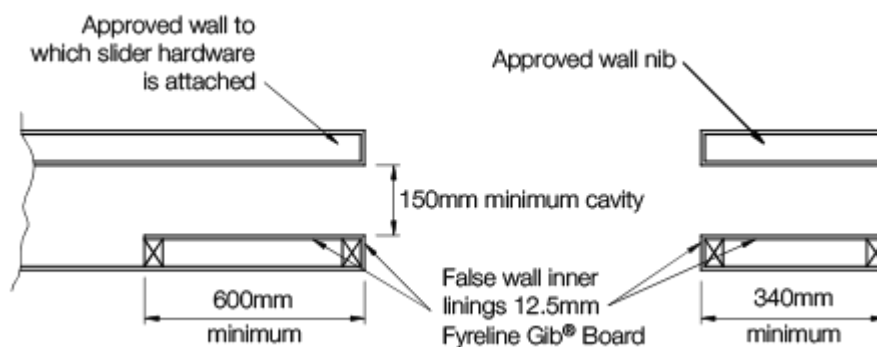
## Product Optional Extras

Please contact Best Doors for information on vision panel options.

Sidelights and overlights Not applicable for this door set.

Overpanels Not applicable for this door set.

## CAVITY WALL SYSTEM



This door leaf has a thermal insulation rating (R-value) of  $0.692 \text{ Km}^2/\text{W}$ .

## TECHNICAL COMPLIANCE STATEMENT

The PS120 fire door complies with the requirements of NZS 4520 *Fire-resistant door sets* when installed in accordance with Best Doors' Installation Instructions into a complying fire-resistant wall, and when fitted with approved hardware.

NZS 4520 is referenced in the New Zealand Building Code Acceptable Solutions (Appendix C 6.1.1)

Best PS120 fire doors have been successfully fire-tested in accordance with AS1530.4, as referenced in NZS 4520 and in Appendix C 5.1.1.

The fire resistance achieved by the PS120 was FRR -/120/30

The PS120 fire door will satisfy the requirements of NZBC, B2 "Durability" under conditions of use, installation and maintenance specified by Best Doors, or specific contractual guarantees, whichever are overriding.