

Best doors PR 60 Door Set -/60/60sm Installation

WALL TYPE: KOROK / SPEED WALL

FRAME TYPE: TIMBER

Frame materials available:

Hardwood timber - Min density 580 kg/m^3 (minimum thickness is 30mm)

Fasteners:

Frame - Screwed (10g self tapping) at 600mm centres nominal. Two screws per location.

Stops - nailed (50 x 3.2mm) at 200mm centres.

Architrave - nailed (50 x 3.2mm) at 400mm centres.

Head Fixing (minimum):

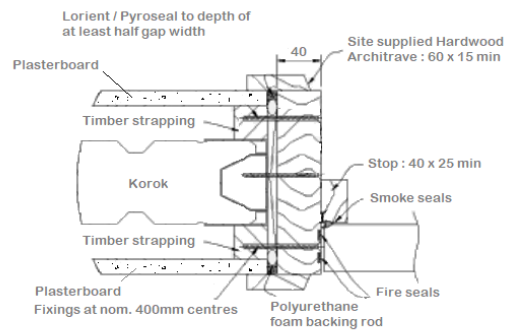
Single door - none required

Wall type:

Korok panels with 13mm FRR plasterboard on furring channels to both sides. Trim opening to be framed with nom. 45mm timber.

Wedging gap:

0-10mm



DETAIL K-T-3

WALL TYPE: KOROK / SPEED WALL

FRAME TYPE: TIMBER

Frame materials available:

Hardwood timber - Min density 580 kg/m^3 (minimum thickness is 30mm)

Fasteners:

Frame - Screwed (10g self tapping) at 600mm centres nominal. Two screws per location.

Stops - nailed (50 x 3.2mm) at 200mm centres.

Architrave - nailed (50 x 3.2mm) at 400mm centres.

Head Fixing (minimum):

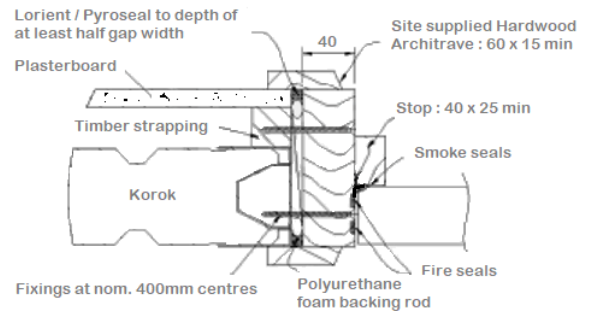
Single door - none required

Wall type:

Korok panels with 13mm FRR plasterboard on furring channels to one side. Trim opening to be framed with nom. 45mm timber.

Wedging gap:

0-10mm



DETAIL KT1

WALL TYPE: **KOROK / SPEED WALL**

FRAME TYPE: **TIMBER**

Frame materials available:

Hardwood timber - Min density 580 kg/m^3 (minimum thickness is 30mm)

Fasteners:

Frame - Screwed (10g self tapping) at 600mm centres nominal. Two screws per location.

Stops - nailed (50 x 3.2mm) at 200mm centres.

Architrave - nailed (50 x 3.2mm) at 400mm centres.

Head Fixing (minimum):

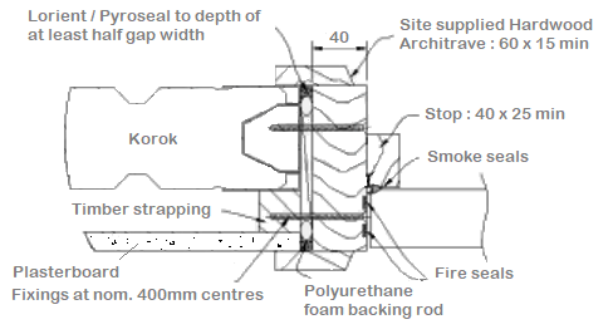
Single door - none required

Wall type:

Korok panels with 13 mm FRR plasterboard on furring channels to one side. Trim opening to be framed with nom. 45 mm timber.

Wedging gap:

0-10mm



DETAIL KT2

WALL TYPE: **KOROK / SPEED WALL**

FRAME TYPE: **STEEL, 1-PART**

Frame materials available:

EGZ - 1.6mm

Cold rolled galvanized - 1.6mm

Fasteners:

Jamb fixing at 600mm centres minimum

10 Gauge self tapping screws

Head Fixing (minimum):

Single door - none required

Paired door - single central fastener required

Wedging Gap:

0-15mm

Fire rating for unlined Speedpanel / Korok walls:

51 mm wall: Max. FRR -/60/30

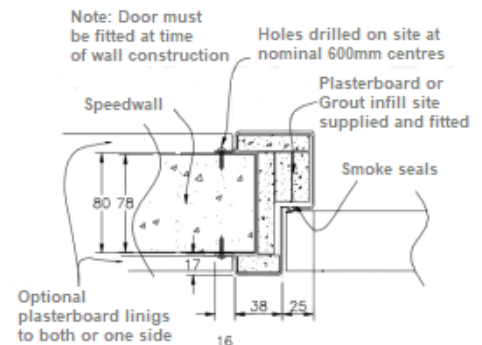
64 mm wall: Max. FRR -/90/30

78 mm wall: Max. FRR -/120/30

Integrity rating can be increased by 30 minutes by lining the wall one or both sides, up to a max. of 120 minutes.

Frame has to be filled with plasterboard, ceramic fibre blanket or grout to achieve 30 minute insulation rating.

PR30 to PR120 Steel Frame in Speedwall



FRAME PROFILE SHOWN IS THE ONLY PROFILE AVAILABLE FOR THIS WALL TYPE
SIZE RESTRICTION APPLY

WALL TYPE: **KOROK / SPEED WALL**

FRAME TYPE: **STEEL, 1-PART**

Frame materials available:

EGZ - 1.6mm

Cold rolled galvanized - 1.6mm

Fasteners:

Jamb fixing at 60mm centres minimum

10 Gauge self tapping screws

Head Fixing (minimum):

Single door - 2 required

Paired door - 4 required

Wedging gap:

0 - 15mm

Fire rating for unlined Speedpanel / Korok walls:

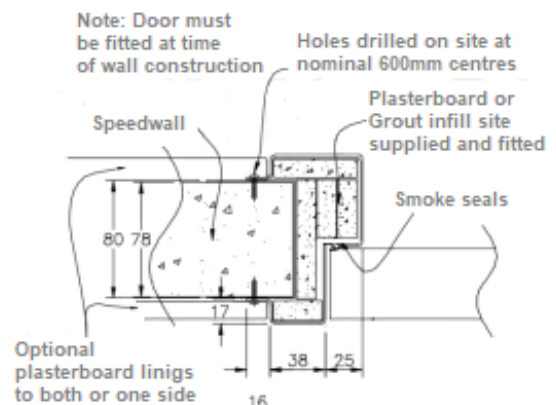
51 mm wall: Max. FRR -/60/30

64 mm wall: Max. FRR -/90/30

78 mm wall: Max. FRR -/120/30

Integrity rating can be increased by 30 minutes by lining the wall one or both sides, up to a max. of 120 minutes.

PR30 to PR120 Steel frame in Speedwall



FRAME PROFILE SHOWN IS THE ONLY PROFILE AVAILABLE FOR THIS WALL TYPE
SIZE RESTRICTION APPLY

Frame has to be filled with plasterboard, ceramic fibre blanket or grout to achieve 30 minute insulation rating.

Please note that when using this installation method the frame has to be built into the wall. It can't be installed in a pre-formed opening.

WALL TYPE: **KOROK / SPEEDWALL**

FRAME TYPE: **STEEL, 1-PART**

Frame materials available:

EGZ - 1.6 mm

Cold rolled galvanized - 1.6 mm

Fasteners:

Jamb fixing 6 sets (i.e. 12 per jamb)

10 x 75 mm Gauge self tapping screws

Head Fixing (minimum):

Single door - none required

Paired door - 1 set

Wedging gap:

0 - 15 mm

Fire rating for unlined Speedpanel / Korok walls:

51 mm wall: Max. FRR -/60/30

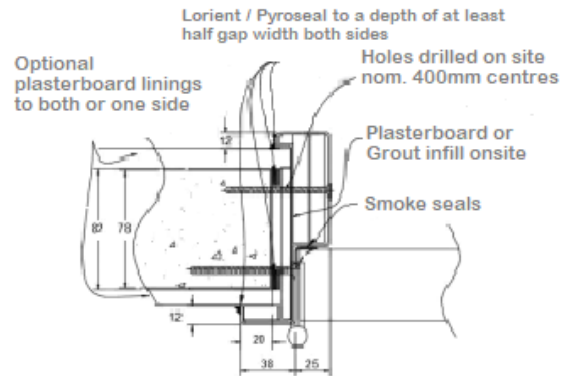
64 mm wall: Max. FRR -/90/30

78 mm wall: Max. FRR -/120/30

Integrity rating can be increased by 30 minutes by lining the wall one or both sides, up to a max. of 120 minutes.

Frame has to be filled with plasterboard, ceramic fibre blanket or grout to achieve 30 minute insulation rating.

PR60 to PR120 Steel frame in Speedwall



WALL TYPE: **KOROK / SPEEDWALL**

FRAME TYPE: **STEEL, 1-PART**

Frame materials available:

EGZ - 1.6 mm

Cold rolled galvanized - 1.6 mm

Fasteners:

Jamb fixing 6 sets (i.e. 12 per jamb)

10g x 75 mm self tapping screws

Head Fixing (minimum):

Single door - none required

Paired door - 1 set

Wedging gap:

0 - 15 mm

Fire rating for unlined Speedpanel / Korok walls:

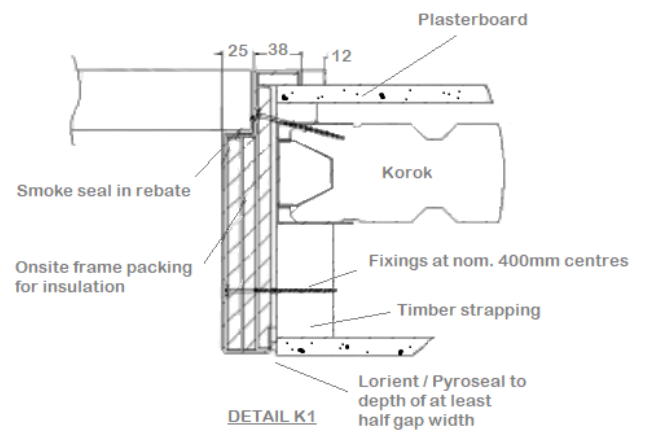
51 mm wall: Max. FRR -/60/30

64 mm wall: Max. FRR -/90/30

78 mm wall: Max. FRR -/120/30

Integrity rating can be increased by 30 minutes by lining the wall one or both sides, up to a max. of 120 minutes.

Frame has to be filled with plasterboard, ceramic fibre blanket or grout to achieve 30 minute insulation rating.



WALL TYPE: **KOROK / SPEEDWALL**

FRAME TYPE: **STEEL, 1-PART**

Frame materials available:

EGZ - 1.6 mm

Cold rolled galvanized - 1.6 mm

Fasteners:

Jamb fixing 6 sets (i.e. 12 per jamb)

10g x 75 mm self tapping screws

Head Fixing (minimum):

Single door - none required

Paired door - 1 set

Wedging gap:

0 - 15 mm

Fire rating for unlined Speedpanel / Korok walls:

51 mm wall: Max. FRR -/60/30

64 mm wall: Max. FRR -/90/30

78 mm wall: Max. FRR -/120/30

Integrity rating can be increased by 30 minutes by lining the wall one or both sides, up to a max. of 120 minutes.

Frame has to be filled with plasterboard, ceramic fibre blanket or grout to achieve 30 minute insulation rating.

WALL TYPE: **KOROK / SPEEDWALL**

FRAME TYPE: **STEEL, 1-PART**

Frame materials available:

EGZ - 1.6 mm

Cold rolled galvanized - 1.6 mm

Fasteners:

Jamb fixing 6 sets (i.e. 12 per jamb)

10g x 75mm self tapping screws

Head Fixing (minimum):

Single door - none required

Paired door - 1 set

Wedging gap:

0 - 15 mm

Fire rating for unlined Speedpanel / Korok walls:

51 mm wall: Max. FRR -/60/30

64 mm wall: Max. FRR -/90/30

78 mm wall: Max. FRR -/120/30

Integrity rating can be increased by 30 minutes by lining the wall one or both sides, up to a max. of 120 minutes.

Frame has to be filled with plasterboard, ceramic fibre blanket or grout to achieve 30 minute insulation rating.

WALL TYPE: **KOROK / SPEEDWALL**

FRAME TYPE: **STEEL, 1-PART**

Frame materials available:

EGZ - 1.6 mm

Cold rolled galvanized - 1.6 mm

Fasteners:

Jamb fixing 6 sets (i.e. 12 per jamb)

10g x 75mm self tapping screws

Head Fixing (minimum):

Single door - none required

Paired door - 1 set

Wedging gap:

0 - 15 mm

Fire rating for unlined Speedpanel / Korok walls:

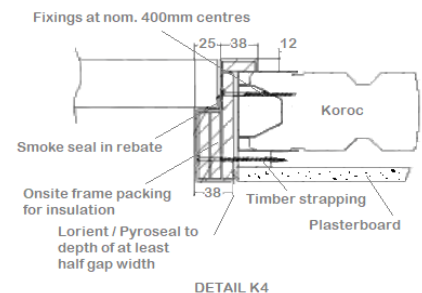
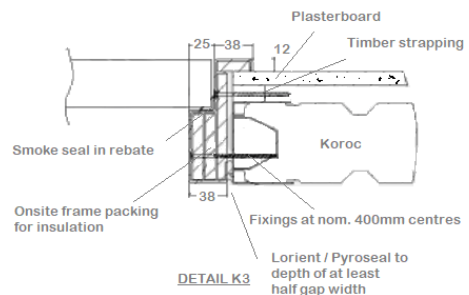
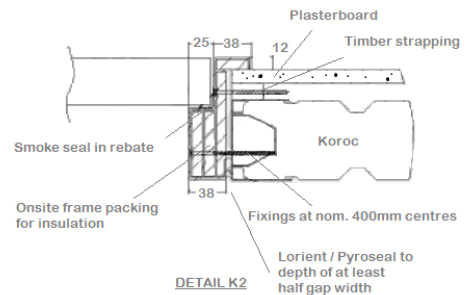
51 mm wall: Max. FRR -/60/30

64 mm wall: Max. FRR -/90/30

78 mm wall: Max. FRR -/120/30

Integrity rating can be increased by 30 minutes by lining the wall one or both sides, up to a max. of 120 minutes.

Frame has to be filled with plasterboard, ceramic fibre blanket or grout to achieve 30 minute insulation rating.



WALL TYPE: **KOROK / SPEEDWALL**

FRAME TYPE: **STEEL, 1-PART**

Frame materials available:

EGZ - 1.6 mm

Cold rolled galvanized - 1.6 mm

Fasteners:

Jamb fixing 6 sets (i.e. 12 per jamb)

10g x 75mm self tapping screws

Head Fixing (minimum):

Single door - none required

Paired door - 1 set

Wedging gap:

0 - 15 mm

Fire rating for unlined Speedpanel / Korok walls:

51 mm wall: Max. FRR -/60/30

64 mm wall: Max. FRR -/90/30

78 mm wall: Max. FRR -/120/30

Integrity rating can be increased by 30 minutes by lining the wall one or both sides, up to a max. of 120 minutes.

Frame has to be filled with plasterboard, ceramic fibre blanket or grout to achieve 30 minute insulation rating.

WALL TYPE: **KOROK / SPEEDWALL**

FRAME TYPE: **STEEL, 1-PART**

Frame materials available:

EGZ - 1.6 mm

Cold rolled galvanized - 1.6 mm

Fasteners:

Jamb fixing 6 sets (i.e. 12 per jamb)

10g x 75mm self tapping screws

Head Fixing (minimum):

Single door - none required

Paired door - 1 set

Wedging gap:

0 - 15 mm

Fire rating for unlined Speedpanel / Korok walls:

51 mm wall: Max. FRR -/60/30

64 mm wall: Max. FRR -/90/30

78 mm wall: Max. FRR -/120/30

Integrity rating can be increased by 30 minutes by lining the wall one or both sides, up to a max. of 120 minutes.

Frame has to be filled with plasterboard, ceramic fibre blanket or grout to achieve 30 minute insulation rating.

WALL TYPE: **KOROK / SPEEDWALL**

FRAME TYPE: **STEEL, 1-PART**

Frame materials available:

EGZ - 1.6 mm

Cold rolled galvanized - 1.6 mm

Fasteners:

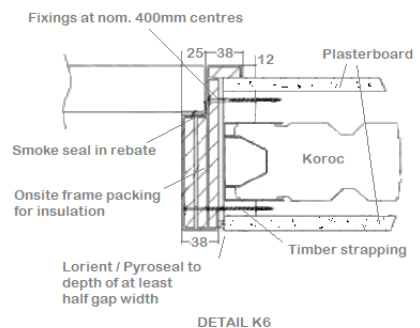
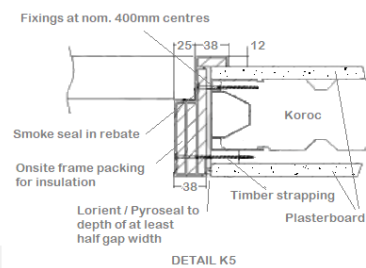
Jamb fixing 6 sets (i.e. 12 per jamb)

10g x 75mm self tapping screws

Head Fixing (minimum):

Single door - none required

Paired door - 1 set



Wedging gap :

0 - 15 m m

Fire rating for unlined Speedpanel / Korok walls :

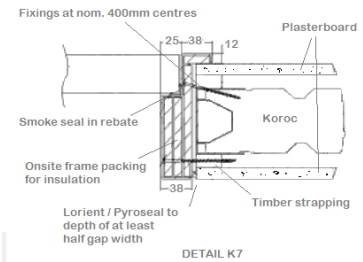
51 mm wall: Max. FRR -/60/30

64 mm wall: Max. FRR -/90/30

78 mm wall: Max. FRR -/120/30

Integrity rating can be increased by 30 minutes by lining the wall one or both sides, up to a max. of 120 minutes.

Frame has to be filled with plasterboard, ceramic fibre blanket or grout to achieve 30 minute insulation rating.



WALL TYPE: **KOROK / SPEEDWALL**

FRAME TYPE: **STEEL, 1-PART**

Frame materials available :

EGZ - 1.6 m m

Cold rolled galvanized - 1.6 m m

Fasteners :

Jamb fixing 6 sets (i.e. 12 per jamb)

10g x 75m m self tapping screws

Head Fixing (minimum) :

Single door - none required

Paired door - 1 set

Wedging gap :

0 - 15 m m

Fire rating for unlined Speedpanel / Korok walls :

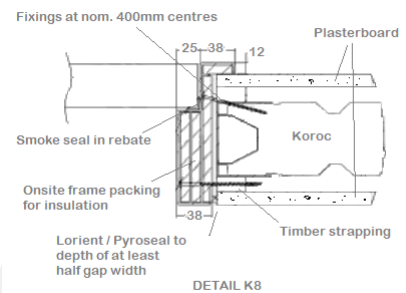
51 mm wall: Max. FRR -/60/30

64 mm wall: Max. FRR -/90/30

78 mm wall: Max. FRR -/120/30

Integrity rating can be increased by 30 minutes by lining the wall one or both sides, up to a max. of 120 minutes.

Frame has to be filled with plasterboard, ceramic fibre blanket or grout to achieve 30 minute insulation rating.



WALL TYPE: **KOROK / SPEEDWALL**

FRAME TYPE: **STEEL, 1-PART**

Frame materials available :

EGZ - 1.6 m m

Cold rolled galvanized - 1.6 m m

Fasteners :

Jamb fixing 6 sets (i.e. 12 per jamb)

10g x 75m m self tapping screws

Head Fixing (minimum) :

Single door - none required

Paired door - 1 set

Wedging gap :

0 - 15 m m

Fire rating for unlined Speedpanel / Korok walls :

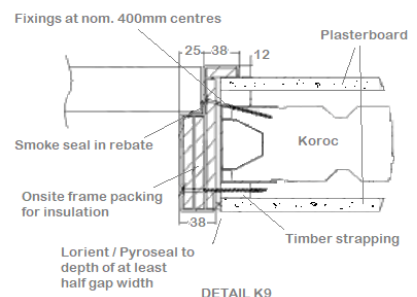
51 mm wall: Max. FRR -/60/30

64 mm wall: Max. FRR -/90/30

78 mm wall: Max. FRR -/120/30

Integrity rating can be increased by 30 minutes by lining the wall one or both sides, up to a max. of 120 minutes.

Frame has to be filled with plasterboard, ceramic fibre blanket or grout to achieve 30 minute insulation rating.



WALL TYPE: **KOROK / SPEEDWALL**

FRAME TYPE: **STEEL, 1-PART**

Frame materials available:

EGZ - 1.6 mm

Cold rolled galvanized - 1.6 mm

Fasteners:

Jamb fixing 6 sets (i.e. 12 per jamb)

10g x 75mm self tapping screws

Head Fixing (minimum):

Single door - none required

Paired door - 1 set

Wedging gap:

0 - 15 mm

Fire rating for unlined Speedpanel / Korok walls:

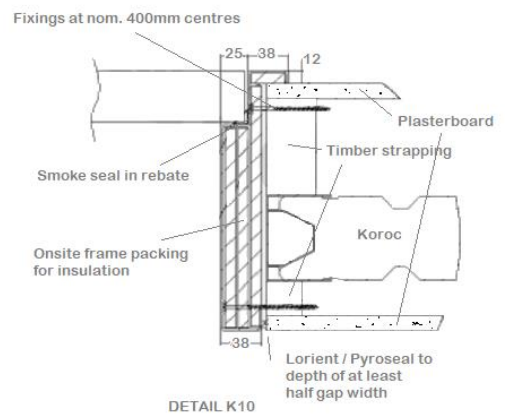
51 mm wall: Max. FRR -/60/30

64 mm wall: Max. FRR -/90/30

78 mm wall: Max. FRR -/120/30

Integrity rating can be increased by 30 minutes by lining the wall one or both sides, up to a max. of 120 minutes.

Frame has to be filled with plasterboard, ceramic fibre blanket or grout to achieve 30 minute insulation rating.



WALL TYPE: **KOROK / SPEEDWALL**

FRAME TYPE: **STEEL, 1-PART**

Note: This installation method is only applicable to 78 mm Korok walls

Frame materials available:

EGZ - 1.6 mm

Cold rolled galvanized - 1.6 mm

Fasteners:

Jamb fixing 6 sets (i.e. 12 per jamb)

10 x 75mm Gauge self tapping screws

Head Fixing (minimum):

Single door - none required

Paired door - 1 set

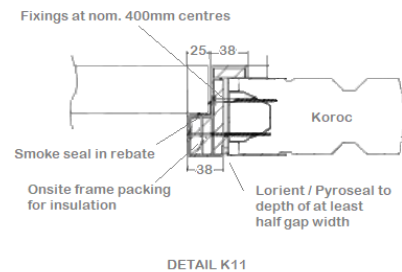
Wedging gap:

0 - 15 mm

Fire rating for unlined Speedpanel / Korok walls:

78 mm wall: Max. FRR -/120/30

Frame has to be filled with plasterboard, ceramic fibre blanket or grout to achieve 30 minute insulation rating.



WALL TYPE: **TIMBER STUD**

FRAME TYPE: **TIMBER**

Frame materials available:

Hardwood timber - Min. density 580 kg/m³ (minimum thickness is 30 mm)

Fasteners:

Frame - Either nailed (75 x 3.2 mm) or screwed (10g x 75 mm) at 600 mm centres nominal. Two fixings per location.

Stops - nailed (50 x 3.2 mm) at 200 mm centres.

Architrave - nailed (50 x 3.2 mm) at 400 mm centres.

Pryda Jamb-fixa brackets Type JFB100 at 500 mm centres may be used to fix profiles A & B to approved walls.

Head Fixing (minimum):

Single door - none required

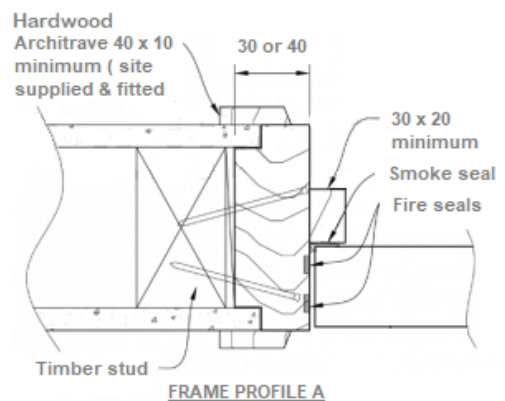
Paired door - single central fastener required

Stud size:

Ex 100 x 50 minimum.

Wedging gap:

0-10 mm



WALL TYPE: TIMBER STUD

FRAME TYPE: TIMBER

Frame materials available:

Hardwood timber - Min. density 580 kg/m³ (minimum thickness is 40 mm)

Fasteners:

Frame - Either nailed (75 x 3.2 mm) or screwed (10 g x 75 mm) at 600 mm centres nominal. Two fixings per location.

Stops - nailed (50 x 3.2 mm) at 200 mm centres.

Architrave - nailed (50 x 3.2 mm) at 400 mm centres.

Pryda Jamb-fixa brackets Type JFB100 at 500 mm centres may be used to fix profiles A & B to approved walls.

Head Fixing (minimum):

Single door - none required

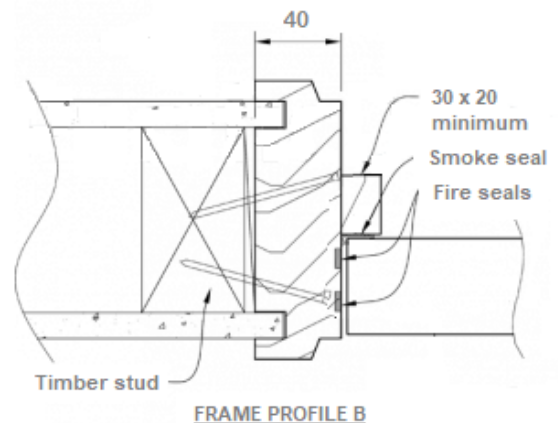
Paired door - single central fastener required

Stud size:

Ex 100 x 50 minimum.

Wedging gap:

0-10 mm



WALL TYPE: TIMBER STUD

FRAME TYPE: TIMBER

Frame materials available:

Hardwood Timber - Min. density 580 kg/m³ (minimum thickness is 30 mm)

Fasteners:

Frame - Either nailed (75 x 3.2 mm) or screwed (10 g x 75 mm) at 600 mm centres nominal. Two fixings per location.

Stops - nailed (50 x 3.2 mm) at 200 mm centres.

Architrave - nailed (50 x 3.2 mm) at 400 mm centres.

Head Fixing (minimum):

Single door - none required

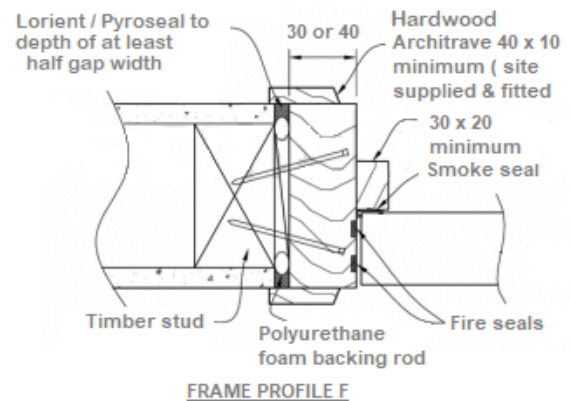
Paired door - single central fastener required

Stud size:

Ex 100 x 50 minimum.

Wedging gap:

0-15 mm



WALL TYPE: TIMBER STUD

FRAME TYPE: TIMBER

Frame materials available:

Hardwood timber - Min. density 580 kg/m³ (minimum thickness is 30 mm)

Fasteners:

Frame - Either nailed (75 x 3.2 mm) or screwed (10 g x 75 mm) at 600 mm centres nominal. Two fixings per location.

Stops - nailed (50 x 3.2 mm) at 200 mm centres.

Architrave - nailed (50 x 3.2 mm) at 400 mm centres.

Pryda Jamb-fixa brackets Type JFB100 at 500 mm centres may be used to fix profiles A & B to approved walls.

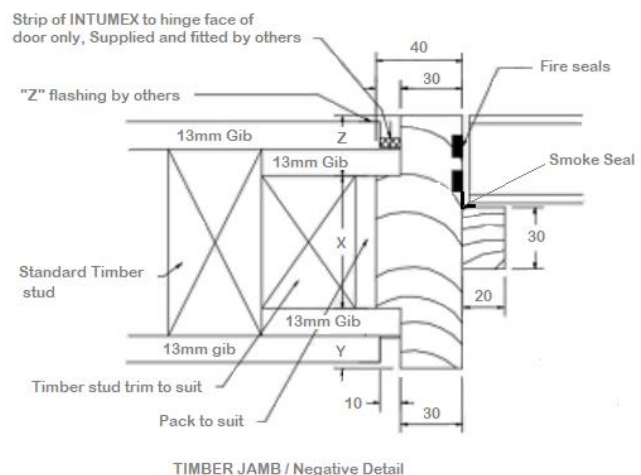
Head Fixing (minimum):

Single door - none required

Paired door - single central fastener required

Stud size:

Ex 100 x 50 minimum.



Wedging gap:
0-10 mm

WALL TYPE: **TIMBER STUD**
FRAME TYPE: **STEEL, 1-PART**

Frame materials available:

EGZ - 1.6 mm

Cold rolled galvanized - 1.6 mm

Stainless Steel - 1.5 mm

Fasteners:

Folded steel connection plates (as shown) to be supplied with frames.

Hook onto frame bracing straps and nail or screw to timber studs.

Frame connection plates either clouts (30 x 2.5 mm gib clouts) or screw fixed.

Head Fixing (minimum):

Single door - none required

Paired door - single central fastener required

Stud size:

Ex 100 x 50 minimum

Wedging gap:

Not applicable

Insulation rating:

To obtain an insulation rating, the steel frame must be packed with either;

Plasterboard (30 minutes)

Ceramic fibre blanket (30 minutes)

Cornice plaster (30 minutes)

Grout (60 minutes)

Pyropanel M4 mortar (60 minutes)

No frame packing equals no insulation rating (i.e. - /xx/-)

WALL TYPE: **TIMBER STUD**
FRAME TYPE: **STEEL, 1-PART**

Frame materials available:

EGZ - 1.6 mm

Cold rolled galvanized - 1.6 mm

Stainless Steel - 1.5 mm

Fasteners:

Framing stud No.1 screwed to jamb.

Connection to stud No.2 via rebated nail on plates.

One fastener per location except at bottom where two fasteners are required.

Frame to be screw fixed (10g self tapping) at 600 mm nominal centres. Two fasteners per location where applicable.

Head Fixing (minimum):

Single door - none required

Paired door - double central fastener required

Stud size:

Ex 100x50 minimum

Wedging gap:

Not applicable

Insulation rating:

To obtain an insulation rating, the steel frame must be packed with either;

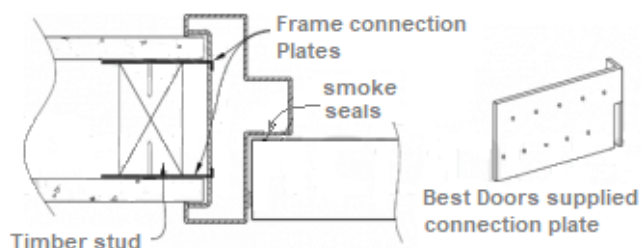
Plasterboard (30 minutes)

Ceramic fibre blanket (30 minutes)

Cornice plaster (30 minutes)

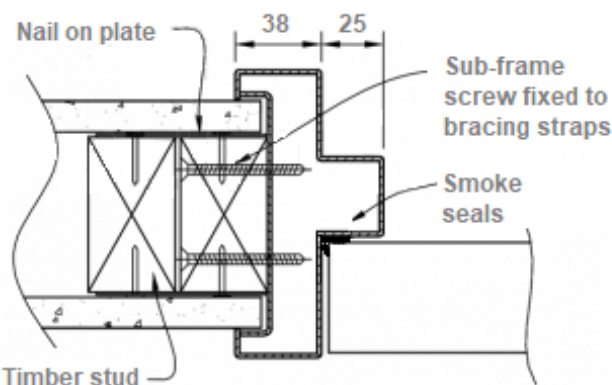
Grout (60 minutes)

Pyropanel M4 mortar (60 minutes)



FRAME PROFILE D3

Same method for G & J : wall thickness will determine profiles available



FRAME PROFILE D3

Same method for G & J : wall thickness will determine profiles available

No frame packing equals no insulation rating (i.e. -/xx/-)

WALL TYPE: **TIMBER STUD**

FRAME TYPE: **STEEL, 1-PART**

Frame materials available:

EGZ - 1.6mm

Cold rolled galvanized - 1.6mm

Stainless Steel - 1.5mm

Fasteners:

Frame screwed to stud through Gib Fyreline packing between stud and shims.

Frame to be screw fixed (10g self tapping) at 600mm nominal centres. Two fasteners per location where applicable.

Head Fixing (minimum):

Single door - none required

Paired door - double central fastener required

Stud size:

Ex 100 x 50 minimum

Wedging gap:

0-10mm

Insulation rating:

To obtain an insulation rating, the steel frame must be packed with either;

Plasterboard (30 minutes)

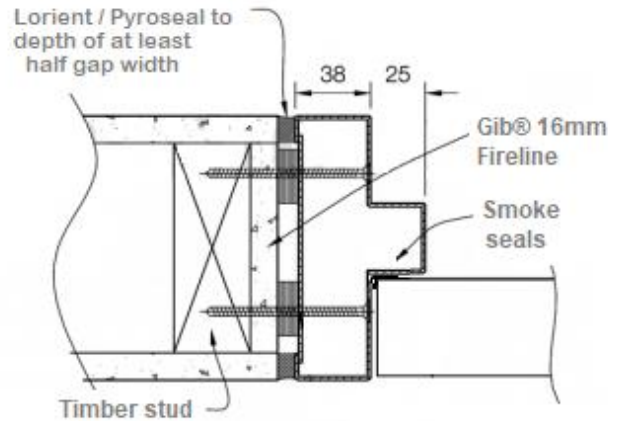
Ceramic fibre blanket (30 minutes)

Cornice plaster (30 minutes)

Grout (60 minutes)

Pyropanel M4 mortar (60 minutes)

No frame packing equals no insulation rating (i.e. -/xx/-)



FRAME PROFILE D3

Same method for G & J : wall thickness will determine profiles available

WALL TYPE: **TIMBER STUD**

FRAME TYPE: **STEEL, 1-PART**

Frame materials available:

EGZ - 1.6mm

Cold rolled galvanized - 1.6mm

Stainless Steel - 1.5mm

Fasteners:

Frames may be screwed directly to studs either through the stud and into the frame bracing straps or through the frame into the timber stud at 600mm centres nominal.

Frame to be screw fixed (10g self tapping) at 600mm centres nominal. Two fasteners per location where applicable.

Head Fixing (minimum):

Single door - none required

Paired door - double central fastener required

Stud size:

Ex 100 x 50 minimum

Wedging gap:

Not applicable

Insulation rating:

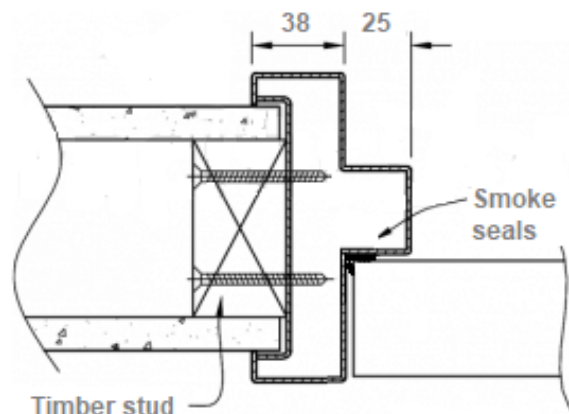
To obtain an insulation rating, the steel frame must be packed with either;

Plasterboard (30 minutes)

Ceramic fibre blanket (30 minutes)

Cornice plaster (30 minutes)

Grout (60 minutes)



FRAME PROFILE D3

Same method for G & J : wall thickness will determine profiles available

Pyropanel M4 mortar (60 minutes)
 No frame packing equals no insulation rating (i.e. -/xx/-)

WALL TYPE: **TIMBER STUD**
 FRAME TYPE: **STEEL, 1-PART**

Frame materials available:

Cold rolled galvanized - 1.6mm packed with pla board

Fasteners:

Frame to be screw fixed with 10-14 x 75mm gauge counter sunk screws at 600mm centres nominal.

Head Fixing (minimum):

Single door - non required

Paired door - double central fastener required

Stud Size

Ex 100 x 50 minimum

Wedging gap:

0 - 10mm

Insulation rating:

To obtain an insulation rating, the steel frame must be packed with either;

Plasterboard (30 minutes)

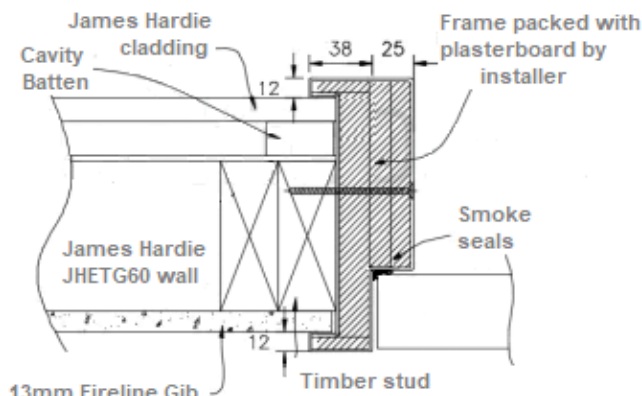
Ceramic fibre blanket (30 minutes)

Cornice plaster (30 minutes)

Grout (60 minutes)

Pyropanel M4 mortar (60 minutes)

No frame packing equals no insulation rating (i.e. -/xx/-)



WALL TYPE: **TIMBER STUD**
 FRAME TYPE: **STEEL, 1-PART**

Frame materials available:

Cold rolled galvanized - 1.6mm packed with pla board

Fasteners:

Frame to be screw fixed with 10 x 75mm gauge screws at 600mm centres nominal.

Head Fixing (minimum):

Single door - non required

Paired door - double central fastener required

Stud Size

Ex 100 x 50 minimum

Wedging gap:

0 - 10mm

Insulation rating:

To obtain an insulation rating, the steel frame must be packed with either;

Plasterboard (30 minutes)

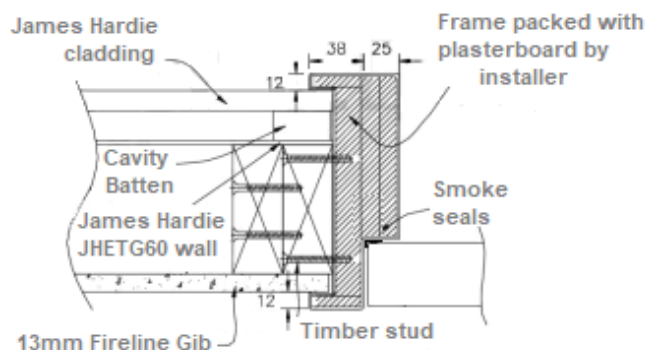
Ceramic fibre blanket (30 minutes)

Cornice plaster (30 minutes)

Grout (60 minutes)

Pyropanel M4 mortar (60 minutes)

No frame packing equals no insulation rating (i.e. -/xx/-)



WALL TYPE: **TIMBER STUD**
 FRAME TYPE: **STEEL, 1-PART**

Gib Universal wall systems - One way FRR only

Please refer to Gib Fire Rated Systems manual for thickness and number of lining boards.

Frame materials available:

EGZ - 1.6mm

Cold rolled galvanized - 1.6mm

Fasteners:

Framing stud No.1 screwed to jamb.

Connection to stud No.2 via rebated nail on plates.

One fastener per location except at bottom where two fasteners are required.

Frame to be screw fixed (10g self tapping) at 600mm nominal centres. Two fasteners per location where applicable.

Head Fixing (minimum):

Single door - none required

Pair door - single central fastener required

Stud size:

Ex 100 x 50 minimum

Wedging gap:

Not applicable

Insulation rating:

To obtain an insulation rating, the steel frame must be packed with either;

Plasterboard (30 minutes)

Ceramic fibre blanket (30 minutes)

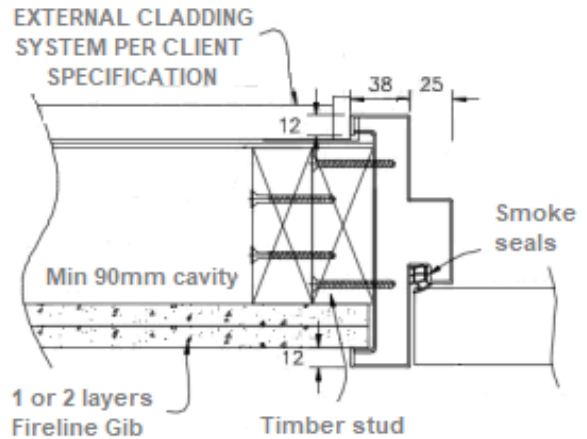
Cornice plaster (30 minutes)

Grout (60 minutes)

Pyropanel M4 mortar (60 minutes)

No frame packing equals no insulation rating (i.e. -/xx/-)

PR60 - PR90 Steel Frame Installation to GIB-GBUW EXTERNAL ONE WAY FIRE WALL



FRAME PROFILE D3

WALL TYPE: TIMBER STUD

FRAME TYPE: STEEL, 1-PART

Gib Universal wall systems - One way FRR only

Please refer to Gib Fire Rated Systems manual for thickness and number of lining boards.

Frame materials available:

Cold rolled galvanized - 1.6mm

Fasteners:

Frame screwed to stud

Frame to be screw fixed (10g self tapping) at 600mm nominal centres. Two fasteners per location where applicable

Head Fixing (minimum):

Single door - none required

Pair door - double central fastener required

Stud size:

Ex 100 x 50 minimum

Wedging gap:

0-10mm

Insulation rating:

To obtain an insulation rating, the steel frame must be packed with either;

Plasterboard (30 minutes)

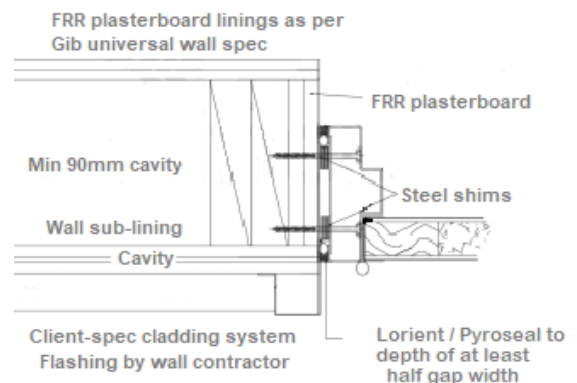
Ceramic fibre blanket (30 minutes)

Cornice plaster (30 minutes)

Grout (60 minutes)

Pyropanel M4 mortar (60 minutes)

No frame packing equals no insulation rating (i.e. -/xx/-)



WALL TYPE: TIMBER STUD

FRAME TYPE: STEEL, 1-PART

Frame materials available:

EGZ - 1.6mm

Cold rolled galvanized - 1.6mm

Fasteners:

Frame screwed to stud through Gib Fyreline packing between stud and shims.

Frame to be screw fixed (10g self tapping) at 600mm nominal centres. Two fasteners per location where applicable.

Head Fixing (minimum):

Single door - none required

Paired door - single central fastener required

Stud size:

Ex 100 x 50 minimum

Wedging gap:

0-10mm

Insulation rating:

To obtain an insulation rating, the steel frame must be packed with either;

Plasterboard (30 minutes)

Ceramic fibre blanket (30 minutes)

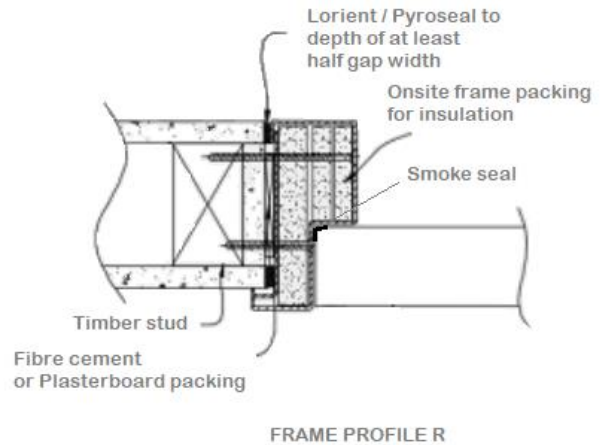
Cornice plaster (30 minutes)

Grout (60 minutes)

Pyropanel M4 mortar (60 minutes)

No frame packing equals no insulation rating (i.e. -

/xx/-)



WALL TYPE: TIMBER STUD

FRAME TYPE: STEEL, 1-PART

Frame materials available:

EGZ - 1.6mm

Cold rolled galvanized - 1.6mm

Fasteners:

Frame screwed to stud through frame wings

Frame to be screw fixed (10g self tapping) at 600mm nominal centres

Head Fixing (minimum):

Single door - none required

Paired door - single central fastener required

Stud size:

Ex. 100x50 mm minimum

Wedging gap:

0-10mm

Insulation rating:

To obtain an insulation rating, the steel frame must be packed with either;

Plasterboard (30 minutes)

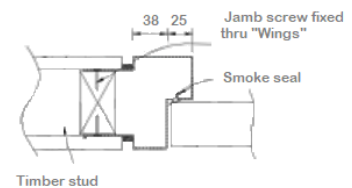
Ceramic fibre blanket (30 minutes)

Cornice plaster (30 minutes)

Grout (60 minutes)

Pyropanel M4 mortar (60 minutes)

No frame packing equals no insulation rating (i.e. -/xx/-)



WALL TYPE: TIMBER STUD

FRAME TYPE: STEEL, 1-PART

Gib GW TLE 60a wall specification

Frame materials available:

Cold rolled galvanized - 1.6mm packed with plaster board

Fasteners:

Frame to be screw fixed with 10-14 x 75mm gauge counter sunk screws at 600mm centres nominal.

Head Fixing (minimum):

Single door - non required

Paired door - double central fastener required

Stud Size

Ex 100 x 50 minimum

Wedging gap:

0 - 10 mm

Insulation rating:

To obtain an insulation rating, the steel frame must be packed with either;

Plasterboard (30 minutes)

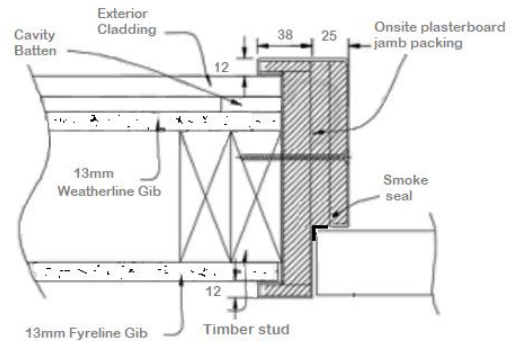
Ceramic fibre blanket (30 minutes)

Cornice plaster (30 minutes)

Grout (60 minutes)

Pyropanel M4 mortar (60 minutes)

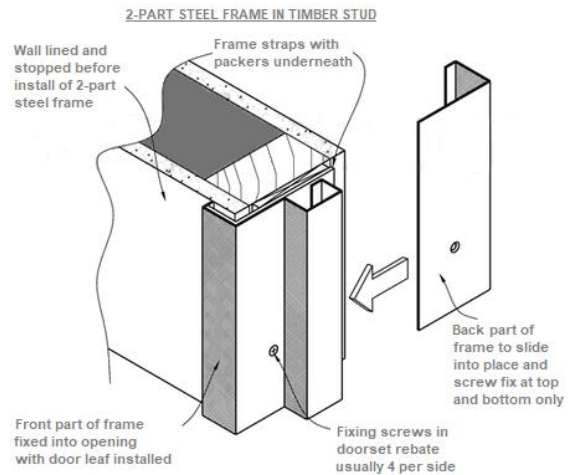
No frame packing equals no insulation rating (i.e. -/xx/-)



Steel jamb Open IN
Exterior Detail

WALL TYPE: **TIMBER STUD**

FRAME TYPE: **STEEL, 2-PART**



WALL TYPE: **TIMBER STUD**

FRAME TYPE: **STEEL, 2-PART**

Frame materials available:

EGZ - 1.6 mm

Cold rolled galvanized - 1.6 mm

Fasteners:

Frame to be screw fixed (10g self tapping) at 600 mm nominal centres through frame straps and timber packers into timber stud. Standard is 4 no. per jamb (front section) and 2 no. per jamb (rear section)

Head Fixing (minimum):

Single door - none required

Paired door - 2 no. fasteners required (front section only)

Stud size:

Ex 100 x 50 minimum

Wedging gap:

0-10 mm

Insulation rating:

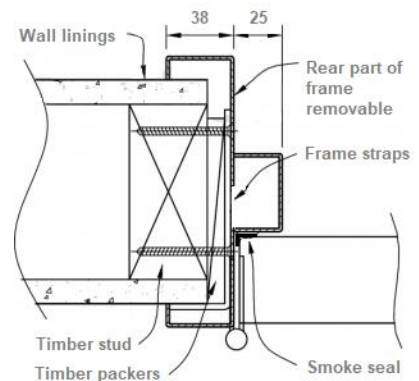
To obtain an insulation rating, all voids in the steel frame and wedging gaps must be packed with either;

Plasterboard (30 minutes)

Ceramic fibre blanket, 64 kg/m³ min. (30 minutes)

Mineral wool blanket, 64 kg/m³ min. (30 minutes)

No frame packing equals no insulation rating (i.e. -/xx/-)



FRAME PROFILE D2

WALL TYPE: **MASONRY**

FRAME TYPE: **TIMBER**

Frame materials available:

Hardwood timber - Min density 580 kg/m^3 (minimum thickness is 30mm)

Fasteners:

Frame - M8 or M10 'Ramset' Dynabolts at 600mm centres nominal. Fixings on or near centre of frame jamb.

Stops - nailed (50 x 3.2mm) at 200mm centres.

Architrave - nailed (50 x 3.2mm) at 400mm centres.

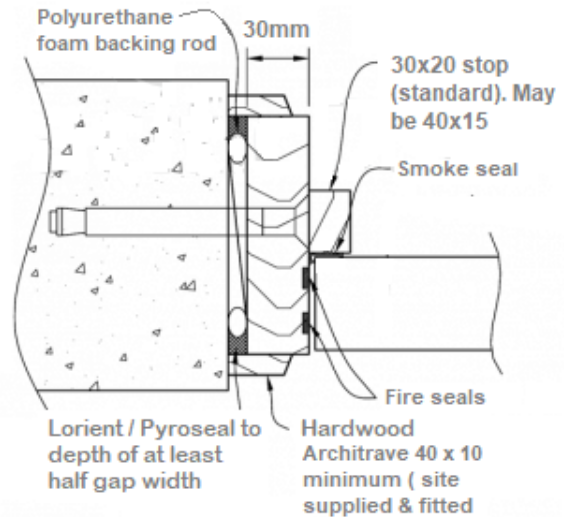
Head Fixing (minimum):

Single door - none required

Paired door - single central fastener required

Wedging gap:

0-15mm



FRAME PROFILE F

WALL TYPE: **MASONRY**

FRAME TYPE: **STEEL, 1-PART**

Frame materials available:

EGZ - 1.6mm

Cold rolled galvanized - 1.6mm

Stainless Steel - 1.5mm (Must be fully grouted frame PR 90-120)

Fasteners:

Jamb fixing at 600mm centres minimum

Expansion anchors eg. M10 countersunk 'Ramset' Dynabolts

M12 countersunk masonry screwbolts

Head Fixing (minimum):

Single door - none required

Paired door - single central fastener required

Wedging Gap:

0-15mm

Insulation rating:

To obtain an insulation rating, the steel frame must be packed with either;

Plasterboard (30 minutes)

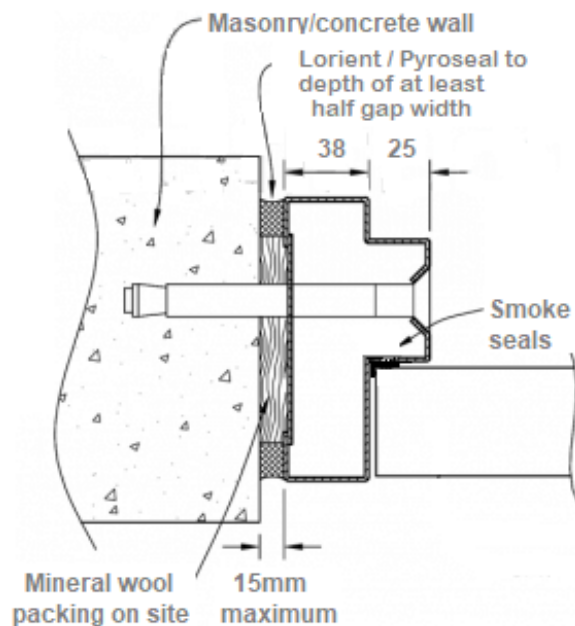
Ceramic fibre blanket (30 minutes)

Cornice plaster (30 minutes)

Grout (60 minutes)

Pyropanel M4 mortar (60 minutes)

No frame packing equals no insulation rating (i.e. -/xx/-)



FRAME PROFILE D3

Same method for G & J: wall thickness will determine profiles available

WALL TYPE: **MASONRY**

FRAME TYPE: **STEEL, 2-PART**

Frame materials available:

EGZ - 1.6mm

Cold rolled galvanized - 1.6mm

Stainless Steel - 1.5mm

Fasteners:

Frame to be fixed with masonry anchors or screw bolts.
Standard is 4 No. per Jamb. Rear insert fixed to frame with machine screws (drilled and tapped on site).

Head Fixing (minimum):

Single door - none required

Paired door - 2 No. fasteners required (Front section only)

Wedging gap:

Not applicable

Insulation rating:

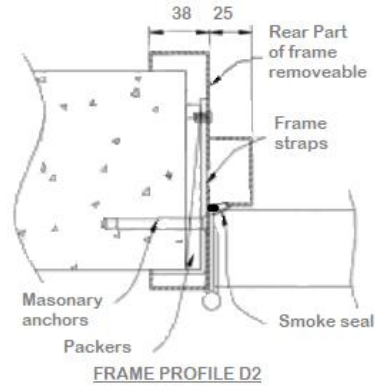
To obtain an insulation rating, the steel frame must be packed with either;

Plasterboard (30 minutes)

Ceramic fibre blanket, 64 kg/m³ min. (30 minutes)

Mineral wool blanket, 64 kg/m³ min. (30 minutes)

No frame packing equals no insulation rating (i.e. -/xx/-)



WALL TYPE: **STEEL STUD**

FRAME TYPE: **TIMBER**

Frame materials available:

Hardwood timber - Min density 580kg/m³ (minimum thickness is 30mm)

Fasteners:

Frame - Screwed (10g x 50mm self tapping) at 600mm centres nominal. Minimum of one screw per location.

Frames may also be installed by screw fixing the steel studs to the back of the timber frame during wall construction.

Stops - nailed (50 x 3.2mm) at 200mm centres.

Architrave - nailed (50 x 3.2mm) at 400mm centres.

Head Fixing (minimum):

Single door - none required

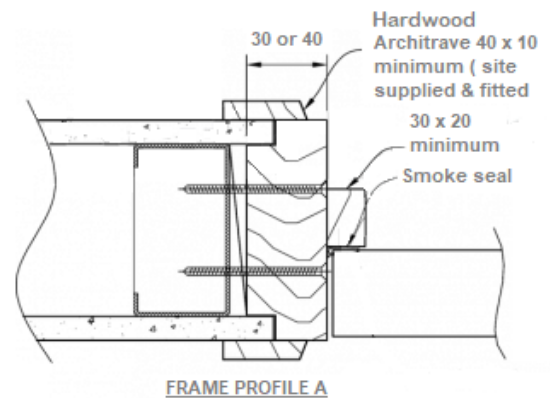
Paired door - single central fixing required

Stud size:

65 x 34mm minimum of 0.55 MSG gauge.

Wedging gap:

0-10mm



WALL TYPE: **STEEL STUD**

FRAME TYPE: **TIMBER**

Frame materials available:

Hardwood timber - Min. density 580kg/m³ (minimum thickness is 40mm)

Fasteners:

Frame - Screwed (10g x 50mm self tapping) at 600mm centres nominal. Minimum of one screw per location. Frames may also be installed by screw fixing the steel studs to the back of the timber frame during wall construction.

Stops - nailed (50 x 3.2mm) at 200mm centres.

Architrave - nailed (50 x 3.2mm) at 400mm centres.

Head Fixing (minimum):

Single door - none required

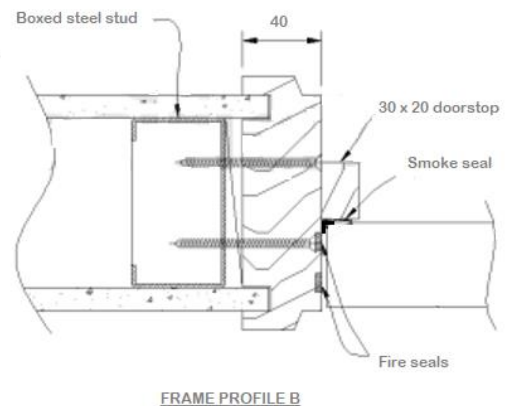
Paired door - single central fixing required

Stud size:

65 x 34mm minimum of 0.55 MSG gauge.

Wedging gap:

0-10mm



WALL TYPE: **STEEL STUD**

FRAME TYPE: **TIMBER**

Frame materials available:

Hardwood timber - Min. density 580 kg/m³ (minimum thickness is 30mm)

Fasteners:

Frame - Screwed (10g x 50mm self tapping) at 600mm centres nominal. Minimum of one screw per location. Frames also be installed by screw fixing the steel studs to the back of timber frame during wall construction.

Stops - nailed (50 x 3.2mm) at 200mm centres.

Architrave - nailed (50 x 3.2mm) at 400mm centres.

Head Fixing (minimum):

Single door - none required

Paired door - single central fastener required

Stud size:

65 x 34mm minimum of 0.55 MSG gauge.

Wedging gap:

0-10mm

WALL TYPE: **STEEL STUD**

FRAME TYPE: **STEEL, 1-PART**

Frame materials available:

EGZ - 1.6mm

Cold rolled galvanized - 1.6mm

Stainless Steel - 1.5mm

Fasteners:

Frame screwed to boxed stud at 600mm centres nominal with self tapping screws.

Steel studs may be riveted (steel pop rivets) or screwed (10g self tapping) to the frame bracing straps at 600mm centres nominal.

Head Fixing (minimum):

Single door - none required

Paired door - double central fastener required

Stud size:

65 x 34mm minimum of 0.55 SMG gauge

Wedging gap:

Not applicable

Insulation rating:

To obtain an insulation rating, the steel frame must be packed with either;

Plasterboard (30 minutes)

Ceramic fibre blanket (30 minutes)

Cornice plaster (30 minutes)

Grout (60 minutes)

Pyropanel M4 mortar (60 minutes)

No frame packing equals no insulation rating (i.e. -/xx/-)

WALL TYPE: **STEEL STUD**

FRAME TYPE: **STEEL, 1-PART**

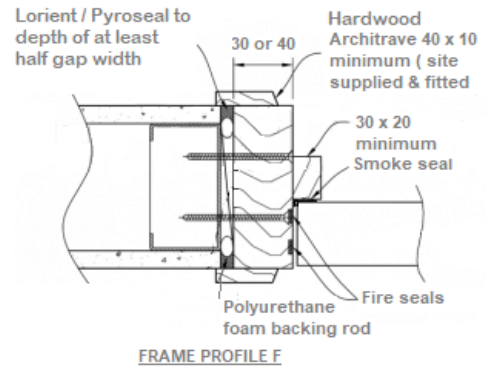
Frame materials available:

EGZ - 1.6mm

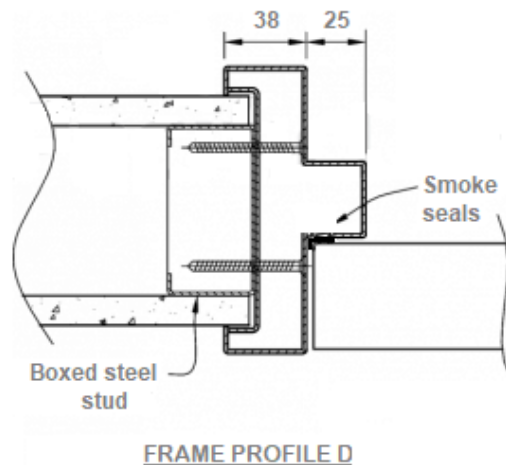
Cold rolled galvanized - 1.6mm

Stainless Steel - 1.5mm

Fasteners:



may
the



Frame screwed to boxed studs with packing steel shims at 600 mm centres nominal.

Steel studs may be riveted (steel pop rivets) or screwed (10g self tapping) to the frame bracing straps at 600 mm centres nominal.

Head Fixing (minimum):

Single door - none required

Paired door - double central fastener required

Stud size:

92 x 34 mm minimum of 0.55 SM G gauge

Wedging Gap:

0-10 mm

Insulation rating:

To obtain an insulation rating, the steel frame must be packed with either;

Plasterboard (30 minutes)

Ceramic fibre blanket (30 minutes)

Cornice plaster (30 minutes)

Grout (60 minutes)

Pyropanel M4 mortar (60 minutes)

No frame packing equals no insulation rating (i.e. -/xx/-)

WALL TYPE: **STEEL STUD**

FRAME TYPE: **STEEL, 1-PART**

Frame materials available:

EGZ - 1.6 mm

Cold rolled galvanized - 1.6 mm

Fasteners:

Frame screwed to stud through Gib Fyreline packing between stud and shims.

Frame to be screw fixed (10g x 50mm self tapping) at 600 mm nominal centres. Two fasteners per location where applicable.

Head Fixing (minimum):

Single door - none required

Paired door - single central fastener required

Stud size:

92 x 34 mm minimum of 0.55 SM G gauge

Wedging gap:

0-10 mm

Insulation rating:

To obtain an insulation rating, the steel frame must be packed with either;

Plasterboard (30 minutes)

Ceramic fibre blanket (30 minutes)

Cornice plaster (30 minutes)

Grout (60 minutes)

Pyropanel M4 mortar (60 minutes)

No frame packing equals no insulation rating (i.e. -/xx/-)

WALL TYPE: **STEEL STUD**

FRAME TYPE: **STEEL, 1-PART**

Frame materials available:

EGZ - 1.6 mm

Cold rolled galvanized - 1.6 mm

Fasteners:

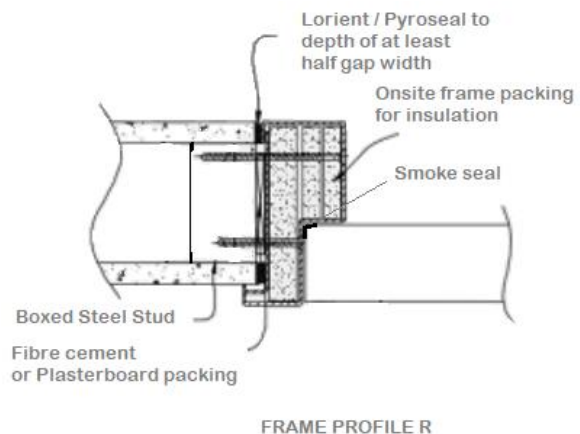
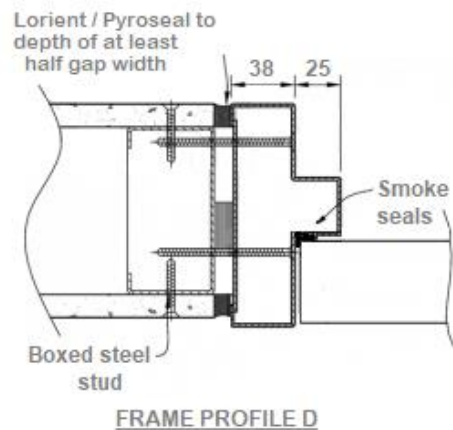
Frame screwed to stud through frame wings

Frame to be screw fixed (10g self tapping) at 600 mm nominal centres

Head Fixing (minimum):

Single door - none required

Paired door - single central fastener required



Stud size:

65 x 34 mm minimum of 0.55 MSG gauge.

Wedging gap:

0-10 mm

Insulation rating:

To obtain an insulation rating, the steel frame must be packed with either;

Plasterboard (30 minutes)

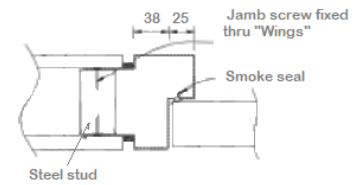
Ceramic fibre blanket (30 minutes)

Cornice plaster (30 minutes)

Grout (60 minutes)

Pyropanel M4 mortar (60 minutes)

No frame packing equals no insulation rating (i.e. -/xx/-)



PR30 to PR60 Steel jamb
Negative Detail

WALL TYPE: **STEEL STUD**

FRAME TYPE: **STEEL, 1-PART**

Gib GW SE 60 wall specification

Frame materials available:

Cold rolled galvanized - 1.6 mm packed with plaster board

Fasteners:

Frame to be screw fixed with 10-14 x 75 mm gauge counter sunk screws at 600 mm centres nominal.

Head Fixing (minimum):

Single door - non required

Paired door - double central fastener required

Stud Size

Minimum steel stud dimensions to be 92 x 34 x 0.50 mm nominal

with a 6 mm return

Wedging gap:

0 - 10 mm

Insulation rating:

To obtain an insulation rating, the steel frame must be packed with either;

Plasterboard (30 minutes)

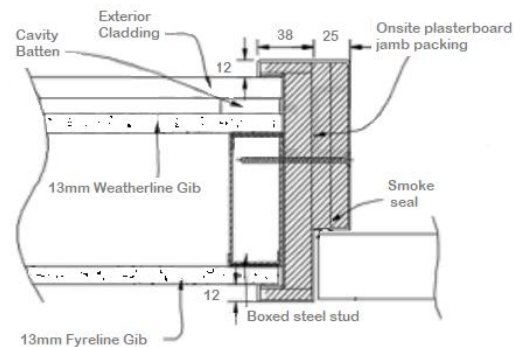
Ceramic fibre blanket (30 minutes)

Cornice plaster (30 minutes)

Grout (60 minutes)

Pyropanel M4 mortar (60 minutes)

No frame packing equals no insulation rating (i.e. -/xx/-)



Steel jamb Open IN
Exterior Detail

WALL TYPE: STEEL STUD

FRAME TYPE: STEEL, 2-PART

Frame materials available:

EGZ - 1.6 mm

Cold rolled galvanized - 1.6 mm

Fasteners:

Frame to be screw fixed (10g self tapping) at 600 mm nominal centres through frame straps and GiB Fyreline into steel stud. Standard is 4 no. per jamb (front section) and 2 no. per jamb (rear section)

Head Fixing (minimum):

Single door - none required

Paired door - 2 no. fasteners required (front section only)

Stud size:

65 x 34 mm minimum of 0.55 SM G gauge

Wedging gap:

0-10 mm

Insulation rating:

To obtain an insulation rating, all voids in the steel frame and wedging gaps must be packed with either;

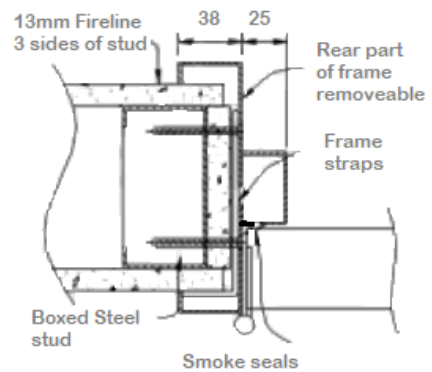
Plasterboard (30 minutes)

Ceramic fibre blanket, 64 kg/m³ min. (30 minutes)

Mineral wool blanket, 64 kg/m³ min. (30 minutes)

No frame packing equals no insulation rating (i.e. -/xx/-)

PR60 2-part Steel frame in Steel Stud



FRAME PROFILE D2