

Best Doors PD30 Double Action Door Set -/30/30

The Best Doors PD30 double action steel framed door set is a 180° pivoting door. The door set configuration may be single leaf or pair, finished with a variety of facings and pivoted in a steel frame.

Wall Type	Fire Resistance Rating Stability/Integrity/Insulation	Door Application	Max Leaf Height (mm)	Max Leaf Width (mm)
Steel Stud Wall	-/30/30	Single or Pair	2650	1075
Timber Stud Wall		Single or Pair	2400	1200
Masonry Wall				

Notes:

Please note that the maximum leaf width shown above is measured per door leaf.

The Best Double Action fire door set can be supplied as a smoke control door as defined in the NZBC Acceptable Solutions. Bottom seals are not available with this door type.

Insulation ratings must be notified at time of pricing for steel frames.

Product Options

LEAF FACINGS

Plywood

Steel – mild or stainless (0.6 – 0.9mm)

Timber veneers

Aluminium sheet

Decorative timber mouldings

MDF

Hardboard

High pressure laminate

up to 1.5mm thick (e.g. Laminox, Formica)

Notes:

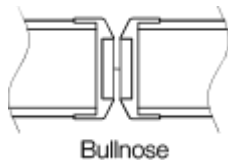
Steel frames are required where metal capping is used.

Standard Paint Quality doors are allowed 'non-clashed' to provide best surface for finish painting.

Other facings may be available, please contact Best Doors to discuss further options.

LEAF EDGES

The leaf edges listed below are available for the PD30 door set



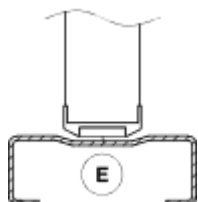
FRAME TYPES & PROFILES

Timber Frame

This door set is not available in a timber jamb.

Steel Frame

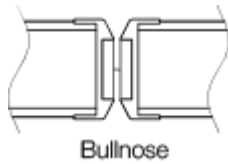
The steel frame profiles listed below are available for the PD30 door set.



For more in depth information on frame profiles and sizes, please see our Installation Instructions.

MEETING STILES

The below meeting stiles are applicable to paired door sets only.



WALL TYPES

Jambs may be connected to timber stud, steel stud or concrete/masonry walls.

The minimum specification for each wall type is:

Precast concrete (150mm thickness minimum) or grouted blockwork (140mm thickness minimum).

Non-load bearing steel stud partitions of minimum specifications GBS60 (for PD30) or GBS90 (for PD60).

Note that 100mm nom. wall framing is necessary where fitting of the head spring hardware is specified.

Non-load bearing timber stud partitions of minimum specifications GBT30 (for PD30) or GBT60b (for PD30)

or GBT90 (for PD90) (as listed in "Gib® Fire Rated Systems"), all based on minimum 100x50mm framing. Note

that minimum 100mm nom. wall framing is necessary where fitting of head spring hardware is specified.

Product Optional Extras

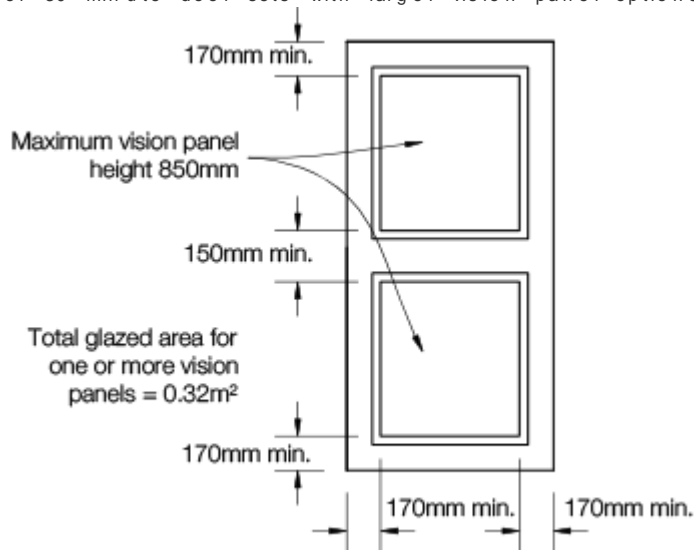
Glazing Type	Maximum Glazed Area	Max Height (mm)	Max Width (mm)	Glazing Bead		FRR with Vision Panel	
				Timber	Aluminium	Up to 0.065 m ²	Over 0.065 m ²
Pyrobel*	0.32 m ²	850	950	✓	✓	-/30/30	-/30/30
Georgian Wired	0.32 m ²	850	950	✓	✓	-/30/30	-/30/-
Firelite	0.32 m ²	850	950	✓	✓	-/30/30	-/30/-
Robax	0.32 m ²	850	950	✓	✓	-/30/30	-/30/-
Pyran*	0.32 m ²	850	950	✓	✓	-/30/30	-/30/-

Notes:

Please note that the height and width of the vision panel must still fall within the maximum glazed area.

Glazing types marked with * indicate Grade A Safety glass.

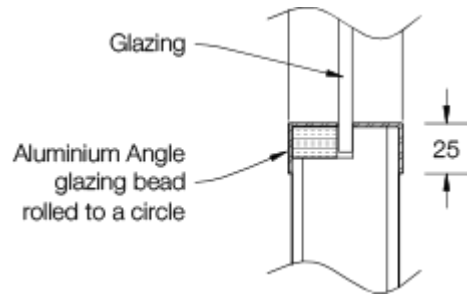
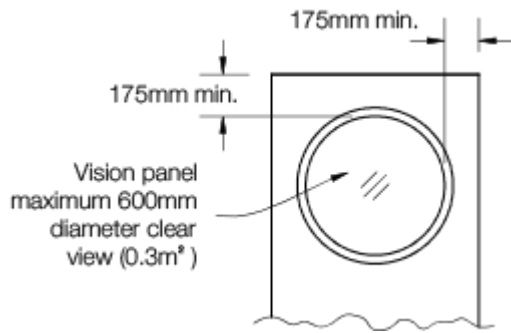
For 30 minute door sets with larger vision panel options, please contact Best Doors



CIRCULAR VISION PANELS

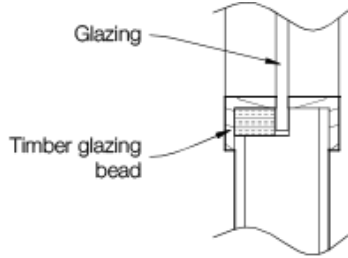
Size allowance

Standard Cross Section

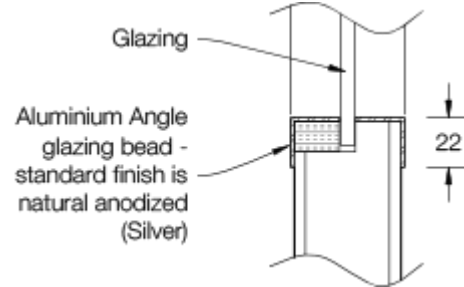


STANDARD VISION PANEL CROSS SECTIONS

Timber Bead



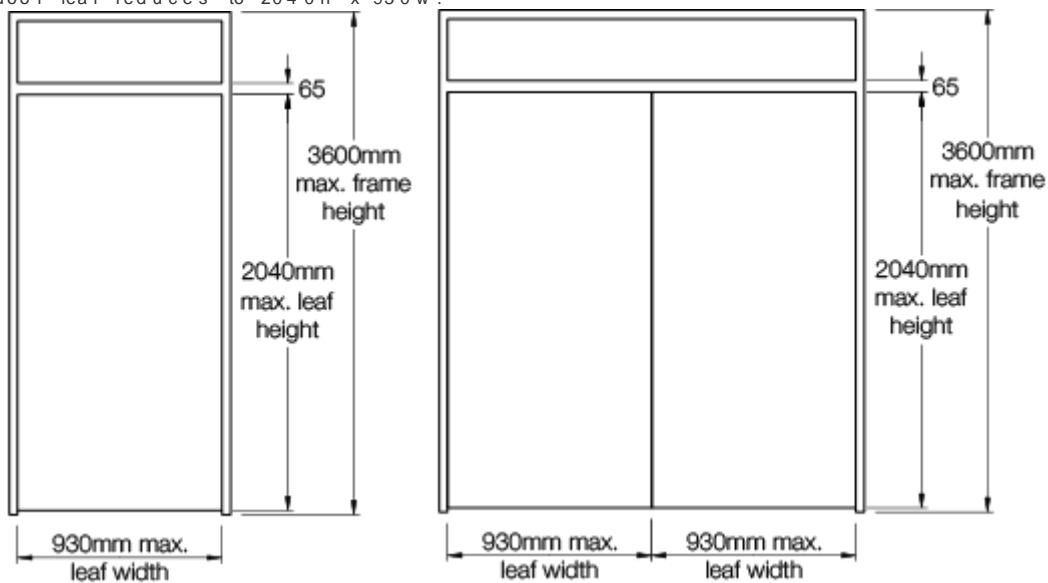
Aluminium Bead

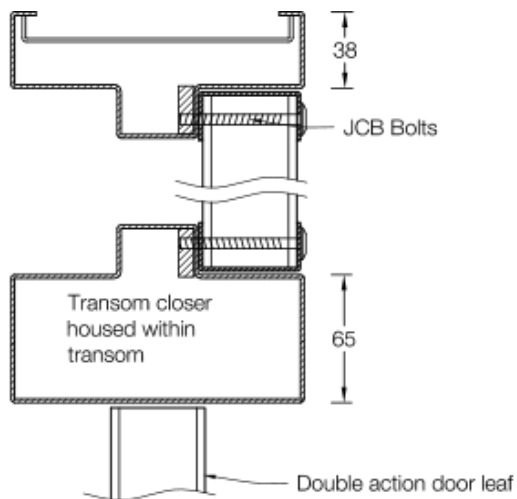


Sidelights and Overlights are not applicable to this door set. Please contact Best Doors to discuss your requirements.

Steel Framed Transom Overpanel Elevations and Details

Overpanels with transom are available to an overall height of 3600mm for single or paired door sets. Please note that when adding an overpanel to this door set, the permitted height and width of the door leaf reduces to 2040h x 930w.





PUSH OR KICKPLATES

Push plates or kickplates can be of the below permitted materials. These may be surface mounted or recessed flush with the door facing. Fixing by screws or contact adhesive.

Steel

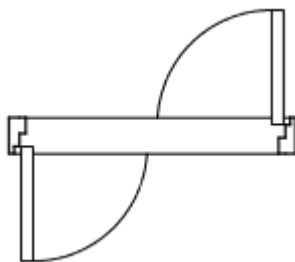
Acrovyn

ADJACENT DOORS

Adjacent fire rated doors are permitted provided the central mullion is grouted steel. Maximum width of the coupled door sets is 3600mm overall.

RESTAURANT FUNCTION

A modified door set allowing two door leaves to open 90deg in opposite directions and closing onto short header-fixed stops is available.



This door leaf has a thermal insulation rating (R-value) of $0.645 \text{ Km}^2/\text{W}$.

TECHNICAL COMPLIANCE STATEMENT

The PD30 fire door complies with the requirements of NZS 4520 Fire-resistant door sets when installed in accordance with Best Doors Installation Instructions into a complying fire-resistant wall, and when fitted with approved hardware.

NZS 4520 is referenced in the New Zealand Building Code Acceptable Solutions (Appendix C 6.1.1) Best Doors PD30 fire doors have been successfully fire-tested in accordance with AS 1530.4, as referenced in NZS 4520 and in Appendix C 5.1.1.

The fire resistance achieved by the PD30 was FRR -/30/30

The PD30 fire door will satisfy the requirements of NZBC, B2 "Durability" under conditions of use, installation and maintenance specified by Best Doors, or specific contractual guarantees, whichever are overriding.