

Best Doors PC60P Door Set -/60/30sm

The Best PC60P door set is a door & glazing system with insulating glass which allows large sized glazing and timber detailing. The system includes a glazed single or pair hinged door hung in a timber or steel frame, with adjacent non-opening (fixed) sidelights. The glazing is also available as separate fire windows (See the FW60P datasheet).

The system has been approved using Pyrobel 16 glass.

The thickness of the PC60P door leaf is 50mm with an approximate leaf weight of 30kg/m²

Wall Type	Fire Resistance Rating Stability/Integrity/Insulation	Door Application	Max Leaf Height (mm)	Max Leaf Width (mm)
Steel Stud Wall	-/60/30sm	Single	2400	1200
Timber Stud Wall Masonry Wall		Pair	2400	1200

Notes:

Please note that the maximum leaf width shown above is measured per door leaf.

The 'sm' above denotes that the door is available as a smoke control door set.

Product Options

LEAF FACINGS

MDF	High pressure laminate
Plywood	up to 1.5mm thick (e.g. Laminex, Formica)
Timber Veneers *	Decorative timber mouldings/panels
Aluminium sheet (0.3 – 1mm) *	Metal Sheet, mild or stainless (0.6 – 1.0mm) *
Sheet Vinyl (1.25 – 2mm)	Laminex Decoral *

Notes:

*Of the above facings only those marked * may extend around the door edge.*

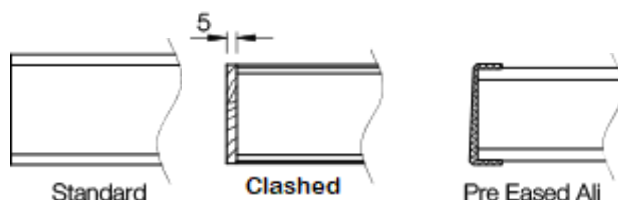
Steel frames are required where metal capping is used.

Standard Paint Quality doors are allowed 'non-clashed' to provide best surface for finish painting.

Other facings may be available, please contact Pacific Doors to discuss further options.

LEAF EDGES

Leaf edges are available in the below profiles



Notes:

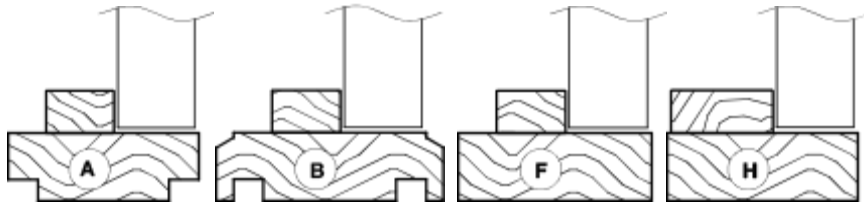
Aluminium cappings are not available for timber frame doorsets.

FRAME TYPES & PROFILES

Timber Frame

The timber frame profiles listed below are available for the PC60P door set.

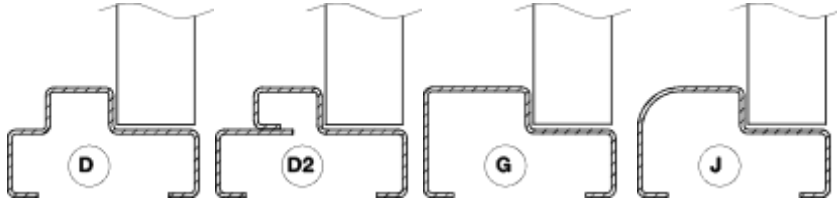
Timber density requirements exclude some species of timber.



Steel Frame

Pressed steel frames are available in the below frame profiles.

The PC60P door set is available in the two-part steel frame system for fixing to walls already lined.

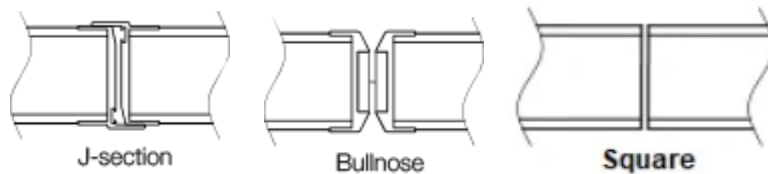


For more in depth information on frame profiles and sizes, please see our Installation Instructions.

MEETING STILES

The below meeting stiles are applicable to paired door sets only.

Note : Square meeting siize limit 2200 x 920 / 920



WALL TYPES

Jambs may be connected to timber stud, steel stud or concrete masonry.

The minimum specification for each wall type is:

Precast concrete (100mm thickness) or grouted blockwork (minimum 140mm thickness).

Non-load bearing timber stud partitions of minimum specifications GBT60a or GBT60b. Note that steel framed PC60 door sets may only be installed in walls of minimum stud size 100x50mm nominal (Gib® Fire Rated Systems).

Non-load bearing steel stud partitions of minimum specification GBS90 (timber framed doors) or GBS60 (Steel framed doors) (Gib® Fire Rated Systems).

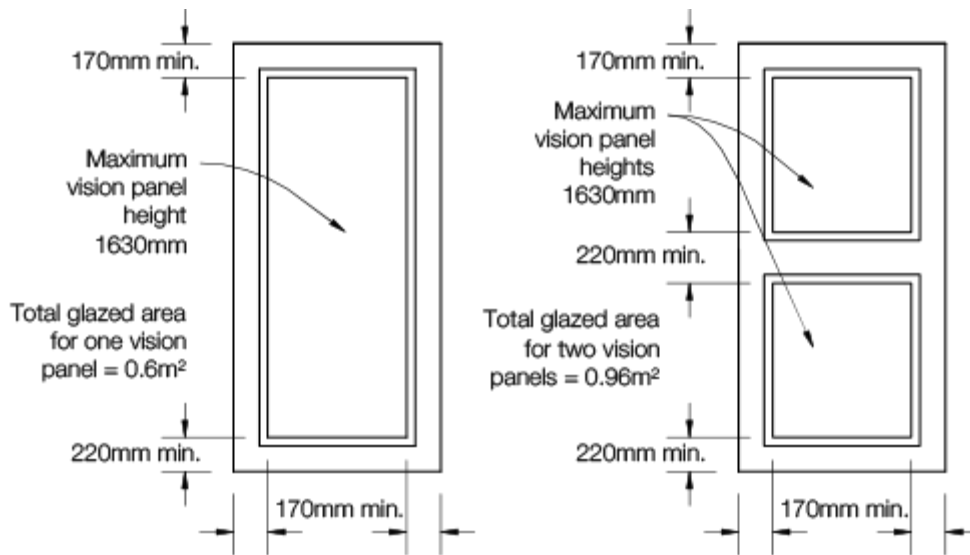
Product Optional Extras

Glazing Type	Maximum Glazed Area		Max Height (mm)	Max Width (mm)	Glazing Bead		FRR with Vision Panel	
	Per VP	Total			Timber	Aluminium	Up to 0.065m ²	Over 0.065m ²
Pyrobel*	0.6m ²	0.96m ²	1630	860	√	√	-/60/60	-/60/30

Notes:

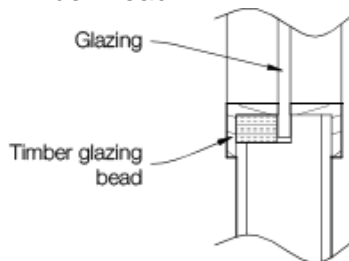
Please note that the height and width of the vision panel must still fall within the maximum glazed area.

Glazing types marked with * indicate Grade A Safety glass.

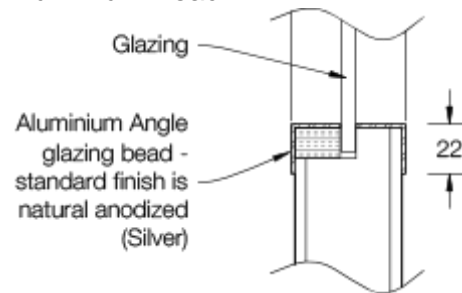


STANDARD VISION PANEL CROSS SECTIONS

Timber Bead



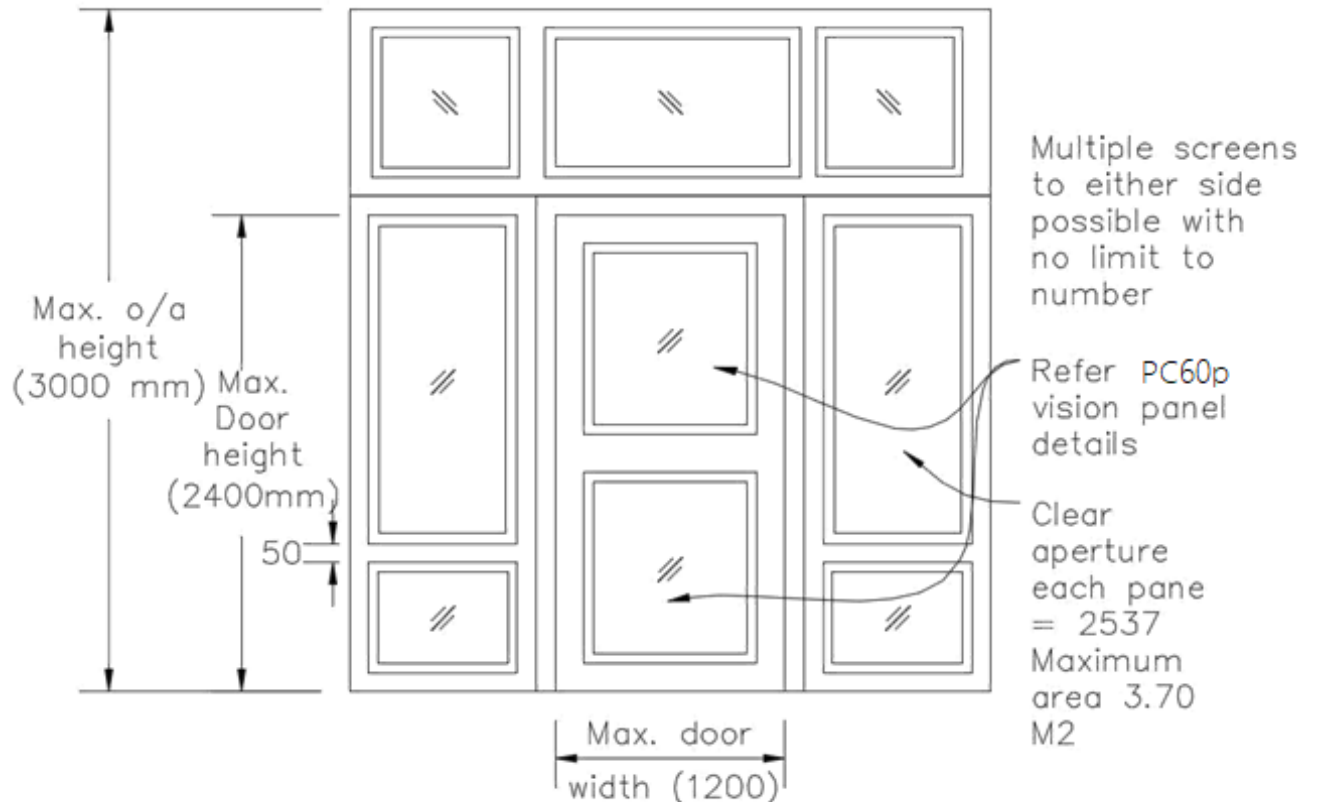
Aluminium Bead



TIMBER FRAMED SIDELIGHT & OVERLIGHT

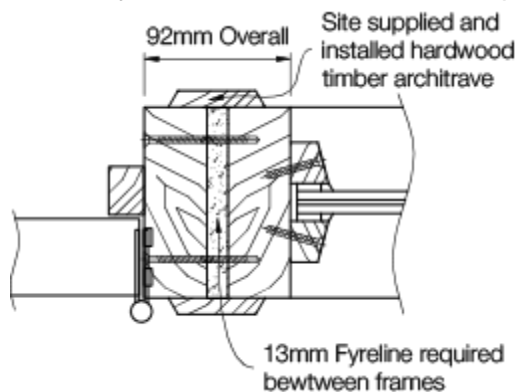
Elevation

The Pyrobel glazing system can include panes of up to 2537h or 2537w, up to a maximum glazed area of 3.70m²



Detail

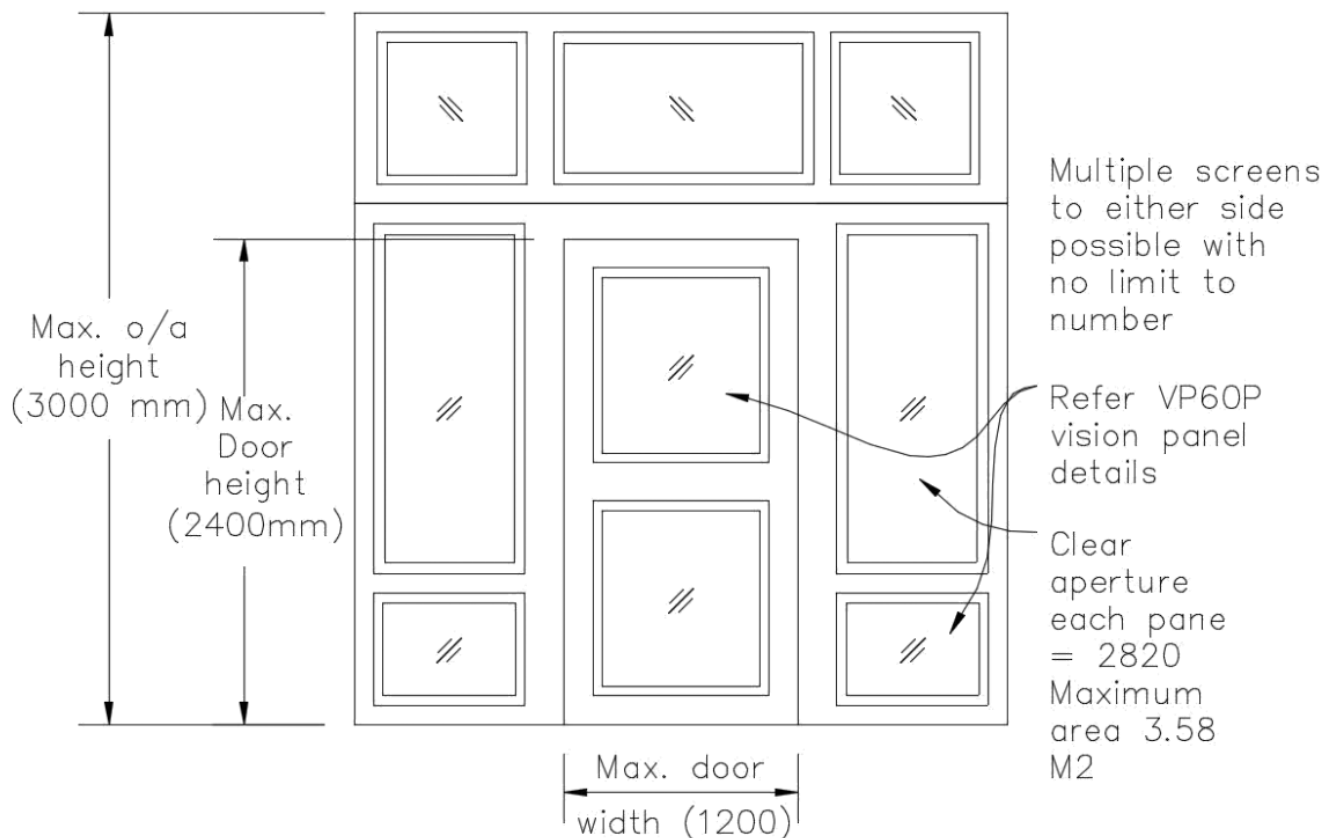
For the PC60-P system, the separate glazed sidelight is connected to the fire door frame with a layer of 13mm plasterboard between. The joint is covered by a timber architrave as illustrated below. Door set, sidelite and overlite will be made and dispatched separately for on site assembly. 13mm Fyrelite and architraves not supplied by Best Doors.



STEEL FRAMED SIDELIGHT & OVERLIGHT

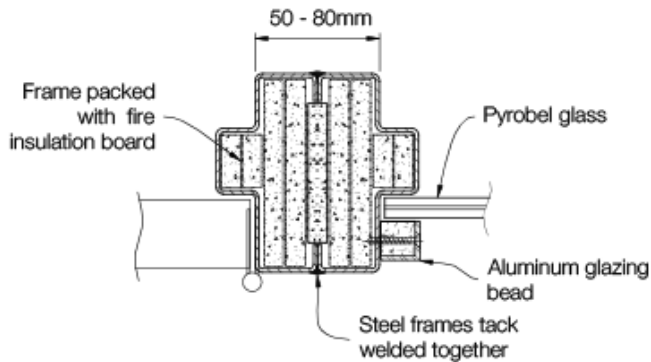
Elevation

The steel framed glazing system can include panes of up to 2820h or 2820w, up to a maximum glazed area of 3.58m²



Detail

The steel frame between the window and the door must be packed with fire insulation board. Unit is required to be factory welded therefore practical limitations of size need to be considered for freight. Powder coat finish is not available.



Overpanels are not available for this door set.

PUSH OR KICKPLATES

Push plates or kickplates can be of the below permitted materials and can be either surface mounted or recessed flush. Fixing may be via screws or contact adhesive only.

Steel (mild or Stainless)

Vinyl Sheets up to 2mm

Formica

Acrovyn

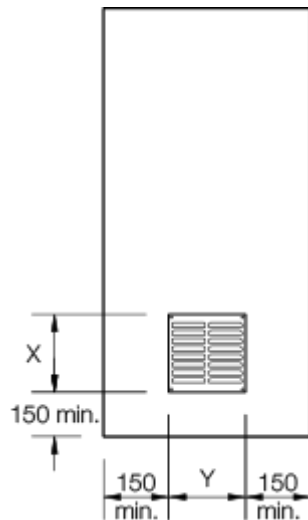
Korogard

VENTILATION GRILLES

Please note that fire doors with ventilation grilles cannot be certified as 'Smoke' control door sets.

Intumescent Grilles

Intumescent grilles are available to a maximum rating of -/60/30.



Grille sizes available

- 600w x 300mm

- 450w x 450mm

- 600w x

600mm

Drop shutter grilles are not an option on this doorset.

ADJACENT DOORS

Adjacent fire rated doors are permitted provided the central mullion is grouted steel, except that for any frame with clear aperture less than 2396 x 1454mm the mullion may be factory packed rather than grouted. Maximum width of the paired door sets with grouted mullion is 3600mm overall.

This door leaf has a thermal insulation rating (R-value) of 0.645 Km²/W.

TECHNICAL COMPLIANCE STATEMENT

The PC60P fire door complies with the requirements of NZS 4520 Fire-resistant doorsets when installed in accordance with Best Doors' Installation Instructions into a complying fire-resistant wall, and when fitted with approved hardware.

NZS 4520 is referenced in the New Zealand Building Code Acceptable Solutions (Appendix C 6.1.1)

Pacific PC60P fire doors have been successfully fire-tested in accordance with AS1530.4, as referenced in NZS 4520 and in Appendix C 5.1.1.

The fire resistance achieved by the PC60P was FRR -/60/60

The PC60P has been tested to and met the physical endurance requirements of NZS 4520 Appendix A.

The PC60P fire door will satisfy the requirements of NZBC, B2 "Durability" under conditions of use, installation and maintenance specified by Best Doors, or specific contractual guarantees, whichever are overriding.