

Best doors PC 30 Hinged Door Set -/30/30 sm Installation

WALL TYPE: **TIMBER STUD**

FRAME TYPE: **TIMBER**

Frame materials available:

Timber (minimum thickness is 30mm)

Fasteners:

Frame - Either nailed (75 x 3.2mm) or screwed (10g x 75mm) at 600mm centres. Two fixings per location.

Stops - nailed (50 x 3.2mm) at 200mm centres.

Architrave - nailed (50 x 3.2mm) at 400mm centres.

Head Fixing (minimum):

Single door - none required

Paired door - double central fastener required

Stud size:

Ex 75 x 50 minimum.

Wedging gap:

0-15mm

WALL TYPE: **TIMBER STUD**

FRAME TYPE: **TIMBER**

Frame materials available:

Timber (minimum thickness is 40mm)

Fasteners:

Frame - Either nailed (75 x 3.2mm) or screwed (10g x 75mm) at 600mm centres nominal. Two fixings per location.

Stops - nailed (50 x 3.2mm) at 200mm centres.

Architrave - nailed (50 x 3.2mm) at 400mm centres.

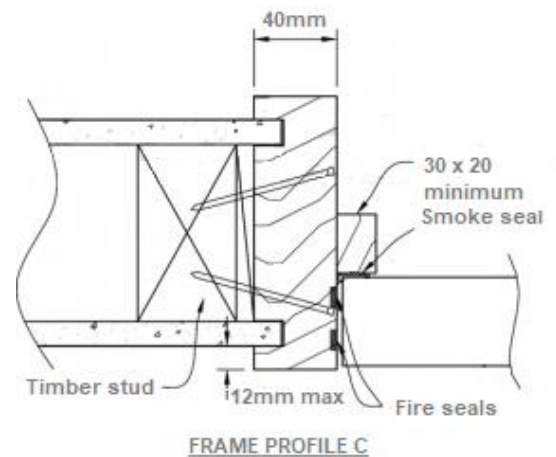
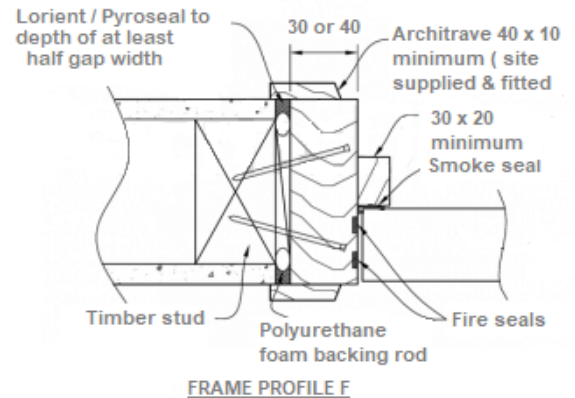
Pryda Jamb-fixa brackets Type JFB100 at 500mm centres may be used to fix profiles A & B to approved walls.

Stud size:

Ex 75x50 minimum.

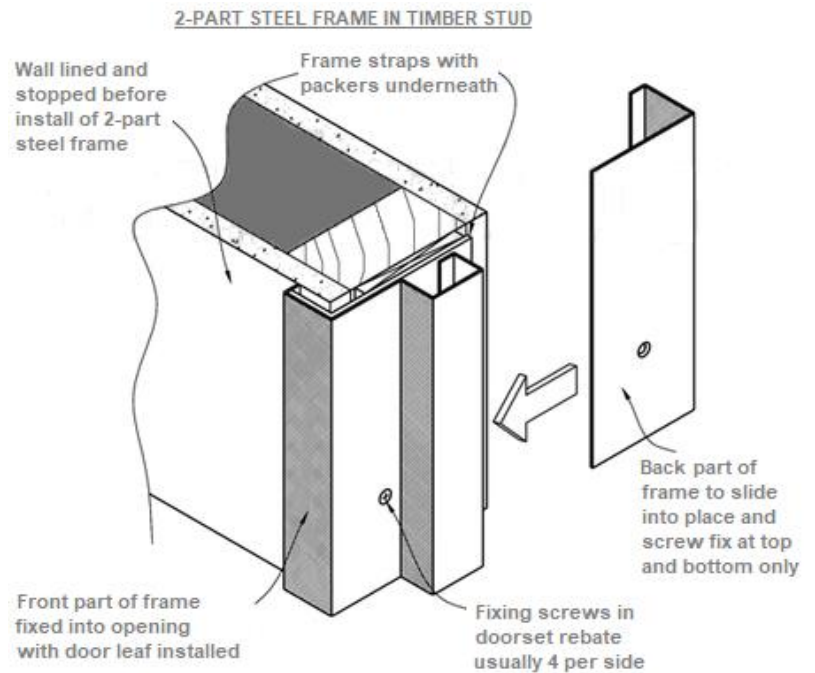
Wedging gap:

0-10mm



WALL TYPE: **TIMBER STUD**

FRAME TYPE: **STEEL**



WALL TYPE: **TIMBER STUD**

FRAME TYPE: **STEEL**

Frame materials available:

EG Z - 1.6 mm

Cold rolled galvanized - 1.6 mm

Stainless Steel - 1.5 mm

Fasteners:

Folded steel connection plates (as shown) to be supplied with frames.

Hook onto frame bracing straps and nail or screw to timber studs.

Frame connection plates either clouts (30 x 2.5 mm gib clouts) or screw fixed.

Head Fixing (minimum):

Single door - none required

Paired door - single central fastener required

Stud size:

Ex 100 x 50 minimum

Wedging gap:

Not applicable

Insulation rating:

To obtain an insulation rating, the steel frame must be packed with either;

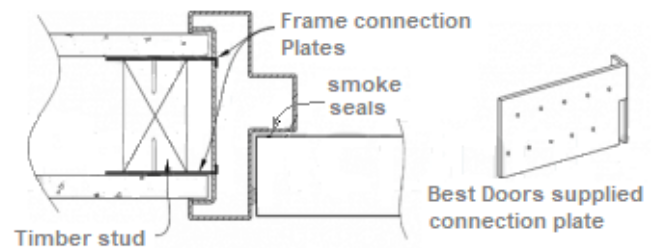
Plasterboard (30 minutes)

Cornice plaster (30 minutes)

Grout (60 minutes)

Mineral Wool (30 minutes)

No frame packing equals no insulation rating (i.e. -/xx/-)



FRAME PROFILE D3

Same method for G & J: wall thickness will determine profiles available

WALL TYPE: **TIMBER STUD**

FRAME TYPE: **STEEL**

Frame materials available:

EG Z - 1.6 mm

Cold rolled galvanized - 1.6 mm

Stainless Steel - 1.5 mm

Fasteners:

Framing stud No.1 screwed to jamb.

Connection to stud No.2 via rebated nail on plates. One fastener per location except at bottom where two fasteners are required.

Frame to be screw fixed (10g x 50mm self tapping) at 600mm nominal centres. Two fasteners per location where applicable.

Head Fixing (minimum):

Single door - none required

Paired door - double central fastener required

Stud size:

Ex 100x50 minimum

Wedging gap:

Not applicable

Insulation rating:

To obtain an insulation rating, the steel frame must be packed with either;

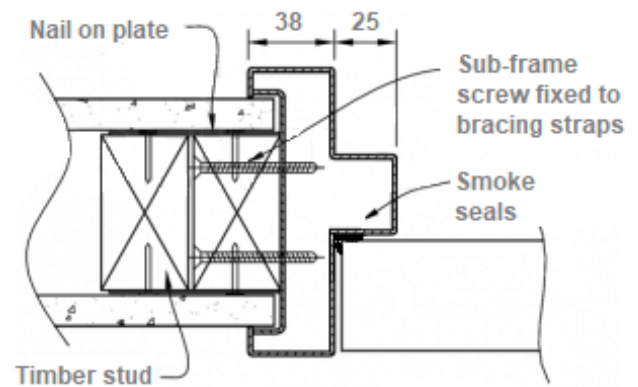
Plasterboard (30 minutes)

Cornice plaster (30 minutes)

Grout (60 minutes)

Mineral Wool (30 minutes)

No frame packing equals no insulation rating (i.e. -/xx/-)



FRAME PROFILE D3

Same method for G & J: wall thickness will determine profiles available

WALL TYPE: **TIMBER STUD**

FRAME TYPE: **STEEL**

Frame materials available:

EG Z - 1.6 mm

Cold rolled galvanized - 1.6 mm

Stainless Steel - 1.5 mm

Fasteners:

Frame screwed to stud through Gib Fyreline packing between stud and shims.

Frame to be screw fixed (10g x 50mm self tapping) at 600mm nominal centres. Two fasteners per location where applicable.

Head Fixing (minimum):

Single door - none required

Paired door - double central fastener required

Stud size:

Ex 100 x 50 minimum

Wedging gap:

0-10 mm

Insulation rating:

To obtain an insulation rating, the steel frame must be packed with either;

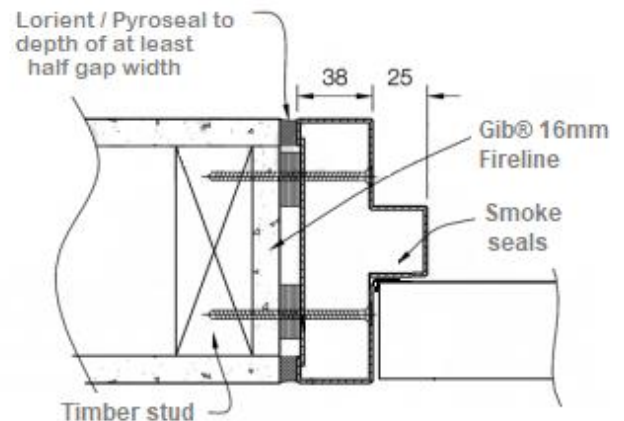
Plasterboard (30 minutes)

Cornice plaster (30 minutes)

Grout (60 minutes)

Mineral Wool (30 minutes)

No frame packing equals no insulation rating (i.e. -/xx/-)



FRAME PROFILE D3

Same method for G & J: wall thickness will determine profiles available

WALL TYPE: **TIMBER STUD**

FRAME TYPE: **STEEL**

Frame materials available:

EGZ - 1.6mm

Cold rolled galvanized - 1.6mm

Stainless Steel - 1.5mm

Fasteners:

Frames may be screwed directly to studs either through the stud and into the frame bracing straps or through the frame into the timber stud at 600mm centres nominal.

Frame to be screw fixed (10g x 50mm self tapping) at 600mm centres nominal. Two fasteners per location where applicable.

Head Fixing (minimum):

Single door - none required

Paired door - double central fastener required

Stud size:

Ex 100 x 50 minimum

Wedging gap:

Not applicable

Insulation rating:

To obtain an insulation rating, the steel frame must be packed with either;

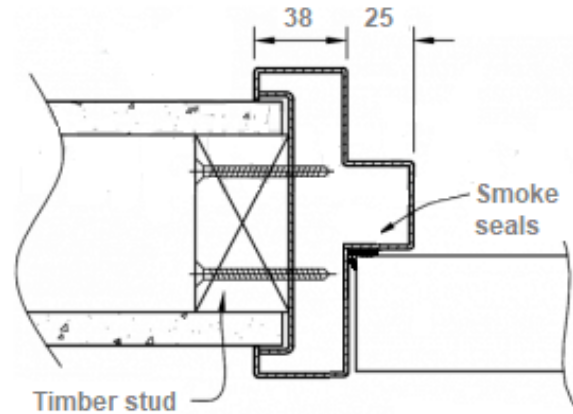
Plasterboard (30 minutes)

Cornice plaster (30 minutes)

Grout (60 minutes)

Mineral Wool (30 minutes)

No frame packing equals no insulation rating (i.e. -/xx/-)



FRAME PROFILE D3

Same method for G & J: wall thickness will determine profiles available

WALL TYPE: **SPEEDWALL**

FRAME TYPE: **STEEL**

Frame materials available:

EGZ - 1.6mm

Cold rolled galvanized - 1.6mm

Fasteners:

Jamb fixing at 60mm centres minimum

10 x 30mm Gauge self tapping screws

Head Fixing (minimum):

Single door - 2 required

Paired door - 4 required

Wedging gap:

0 - 15mm

Fire rating for unlined Speedpanel / Korok walls:

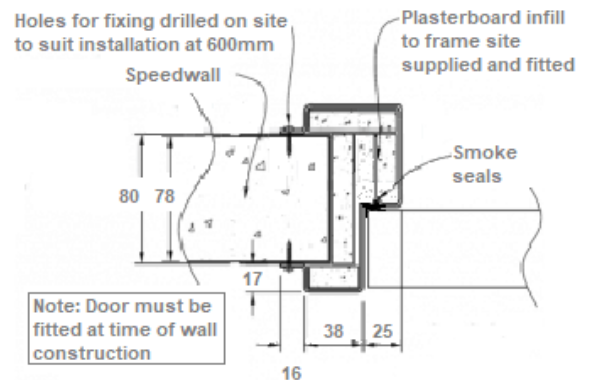
51 mm wall: Max. FRR -/60/30

64 mm wall: Max. FRR -/90/30

78 mm wall: Max. FRR -/120/30

Integrity rating can be increased by 30 minutes by lining the wall one or both sides, up to a max. of 120 minutes.

Frame has to be filled with plasterboard or grout to achieve 30 minute insulation rating.



FRAME PROFILE SHOWN IS THE ONLY PROFILE AVAILABLE FOR THIS WALL TYPE
NOTE: ON AVAILABLE AS SINGLE DOOR SET

WALL TYPE: **SP E E D W A L L**

FRAME TYPE: **ST E E L**

Frame materials available:

EG Z - 1.6 m m

Cold rolled galvanized - 1.6 m m

Fasteners:

Jam b fixing 6 sets (i.e. 12 per jam b)

10 x 75 m m Gauge self tapping screws

Head Fixing (minimum):

Single door - none required

Paired door - 1 set

Wedging gap:

0 - 15 m m

Fire rating for unlined Speedpanel / Korok walls:

51 m m wall: Max. FRR -/60/30

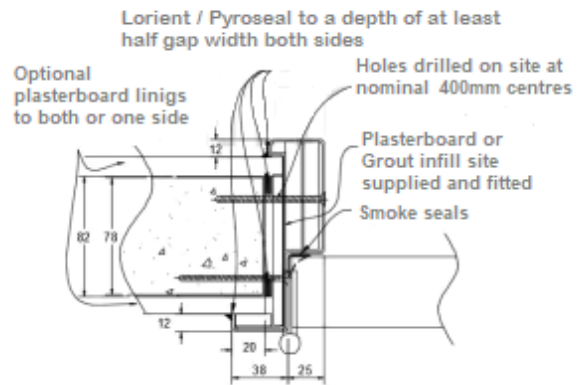
64 m m wall: Max. FRR -/90/30

78 m m wall: Max. FRR -/120/30

Integrity rating can be increased by 30 minutes by lining the wall one or both sides, up to a max. of 120 minutes.

Frame has to be filled with plasterboard or grout to achieve 30 minute insulation rating.

PR30 to PR120 Steel Frame in Speedwall



WALL TYPE: **T I M B E R S T U D**

FRAME TYPE: **ST E E L**

Frame materials available:

Cold rolled galvanized - 1.6 m m packed with plaster board

Fasteners:

Frame to be screw fixed with 10-14 x 75 m m gauge counter sunk screws at 600 m m centres nominal.

Head Fixing (minimum):

Single door - non required

Paired door - double central fastener required

Stud Size

Ex 100 x 50 minimum

Wedging gap:

0 - 10 m m

Insulation rating:

To obtain an insulation rating, the steel frame must be packed with either;

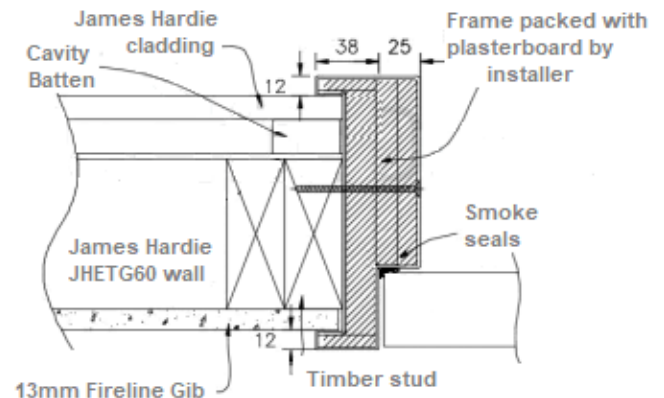
Plasterboard (30 minutes)

Cornice plaster (30 minutes)

Grout (60 minutes)

Mineral Wool (30 minutes)

No frame packing equals no insulation rating (i.e. -/xx/-)



WALL TYPE: **TIMBER STUD**

FRAME TYPE: **STEEL**

Frame materials available:

Cold rolled galvanized - 1.6mm packed with plasterboard

Fasteners:

Frame to be screw fixed with 10 x 75mm gauge screws at 600mm centres nominal.

Head Fixing (minimum):

Single door - non required

Paired door - double central fastener required

Stud Size

Ex 100 x 50 minimum

Wedging gap:

0 - 10mm

Insulation rating:

To obtain an insulation rating, the steel frame must be packed with either;

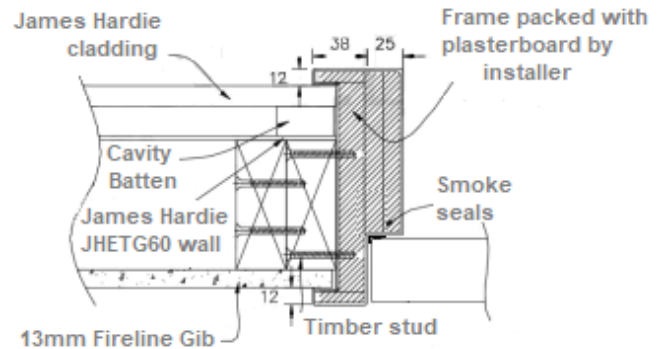
Plasterboard (30 minutes)

Cornice plaster (30 minutes)

Grout (60 minutes)

Mineral Wool (30 minutes)

No frame packing equals no insulation rating (i.e. -/xx/-)



WALL TYPE: **TIMBER STUD**

FRAME TYPE: **STEEL**

Gib Universal wall systems - One way FRR only

Please refer to Gib Fire Rated Systems manual for thickness and number of lining boards.

Frame materials available:

EGZ - 1.6mm

Cold rolled galvanized - 1.6mm

Fasteners:

Framing stud No.1 screwed to jamb.

Connection to stud No.2 via rebated nail on plates. One fastener per location except at bottom where two fasteners are required.

Frame to be screw fixed (10g x 50mm self tapping) at 600mm nominal centres. Two fasteners per location where applicable.

Head Fixing (minimum):

Single door - none required

Pair door - single central fastener required

Stud size:

Ex 100 x 50 minimum

Wedging gap:

Not applicable

Insulation rating:

To obtain an insulation rating, the steel frame must be packed with either;

Plasterboard (30 minutes)

Cornice plaster (30 minutes)

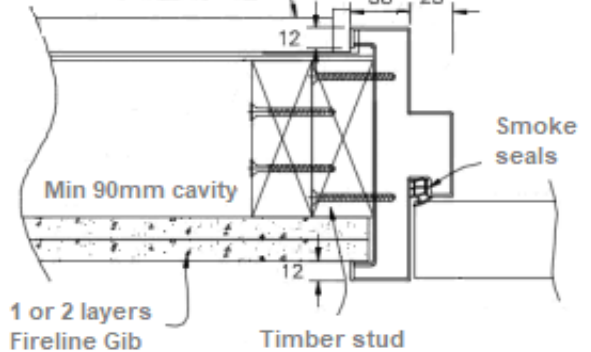
Grout (60 minutes)

Mineral Wool (30 minutes)

No frame packing equals no insulation rating (i.e. -/xx/-)

PC30 - PR90 STEEL FRAME INSTALLATION TO GIB-GBUW EXTERNAL ONE WAY FIRE WALL

EXTERNAL CLADDING SYSTEM PER CLIENT SPECIFICATION



FRAME PROFILE D3

WALL TYPE: **TIMBER STUD**

FRAME TYPE: **STEEL**

Gib Universal wall systems - One way FRR only

Please refer to Gib Fire Rated Systems manual for thickness and number of lining boards.

Frame materials available:

Cold rolled galvanized - 1.6 mm

Fasteners:

Frame screwed to stud

Frame to be screw fixed (10g x 50 mm self tapping) at 600 mm nominal centres. Two fasteners per location where applicable

Head Fixing (minimum):

Single door - none required

Pair door - double central fastener required

Stud size:

Ex 100 x 50 minimum

Wedging gap:

0-10 mm

Insulation rating:

To obtain an insulation rating, the steel frame must be packed with either;

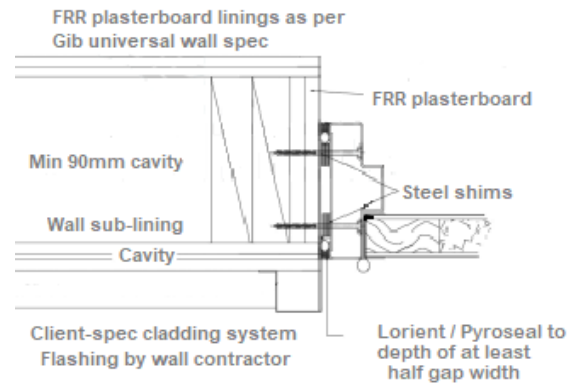
Plasterboard (30 minutes)

Cornice plaster (30 minutes)

Grout (60 minutes)

Mineral Wool (30 minutes)

No frame packing equals no insulation rating (i.e. -/xx/-)



WALL TYPE: **MASONRY**

FRAME TYPE: **TIMBER**

Frame materials available:

Timber (minimum thickness is 30 mm)

Fasteners:

Frame - M8 or M10 'Ramset' Dynabolts at 600 mm centres nominal. Fixings on or near centre of frame jamb.

Stops - nailed (50 x 3.2 mm) at 200 mm centres.

Architrave - nailed (50 x 3.2 mm) at 400 mm centres.

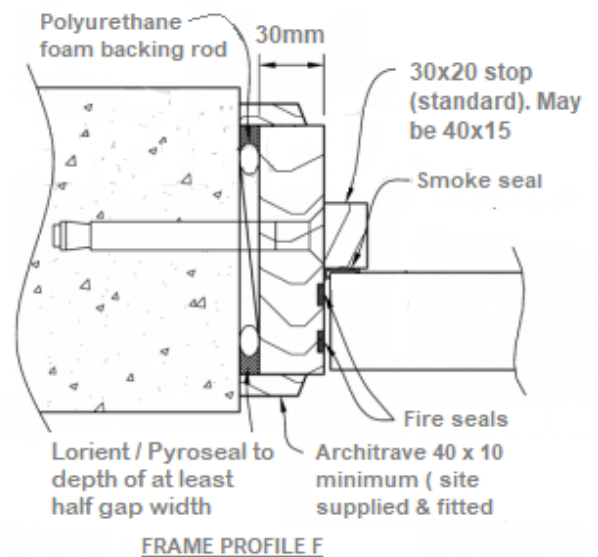
Head Fixing (minimum):

Single door - none required

Paired door - single central fastener required

Wedging gap:

0-15 mm



WALL TYPE: MASONRY

FRAME TYPE: STEEL

Frame materials available:

EGZ - 1.6mm

Cold rolled galvanized - 1.6mm

Stainless Steel - 1.5mm (Must be fully grouted frame VP90-120)

Fasteners:

Jamb fixing at 600mm centres minimum

Expansion anchors eg. M10 countersunk

'Ramset' Dynabolts

M12 countersunk masonry screwbolts

Head Fixing (minimum):

Single door - none required

Paired door - single central fastener required

Wedging Gap:

0-15mm

Insulation rating:

To obtain an insulation rating, the steel frame must be packed with either;

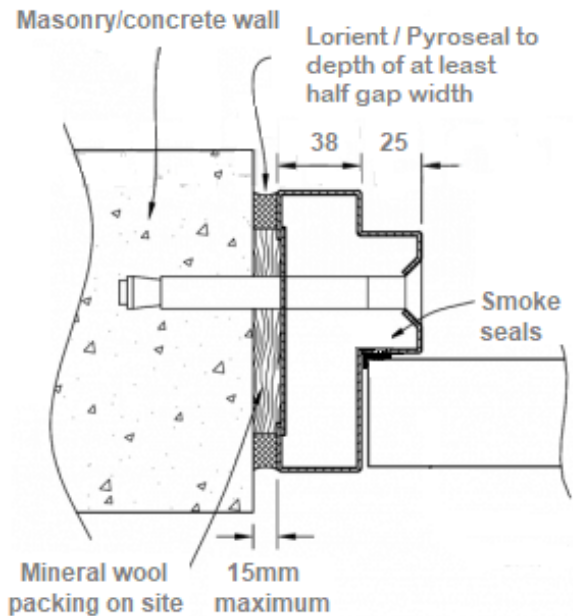
Plasterboard (30 minutes)

Cornice plaster (30 minutes)

Grout (60 minutes)

Mineral Wool (30 minutes)

No frame packing equals no insulation rating (i.e. -/xx/-)



FRAME PROFILE D3

Same method for G & J: wall thickness will determine profiles available

WALL TYPE: MASONRY

FRAME TYPE: STEEL

Frame materials available:

EGZ - 1.6mm

Cold rolled galvanized - 1.6mm

Fasteners:

Jamb fixing at 600mm centres minimum

8 - 10 Gauge self tapping screws

Head Fixing (minimum):

Single door - none required

Paired door - single central fastener required

Wedging Gap:

0-15mm

Fire rating for unlined Speedpanel / Korok walls:

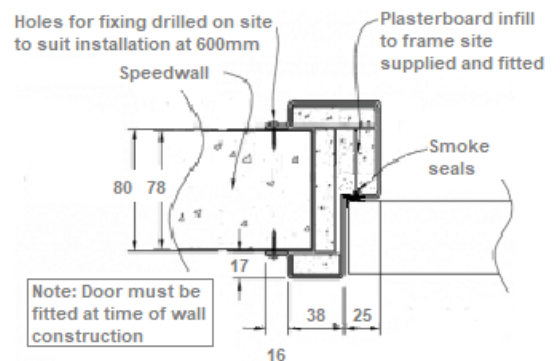
51 mm wall: Max. FRR -/60/30

64 mm wall: Max. FRR -/90/30

78 mm wall: Max. FRR -/120/30

Integrity rating can be increased by 30 minutes by lining the wall one or both sides, up to a max. of 120 minutes.

Frame has to be filled with plasterboard or grout to achieve 30 minute insulation rating.



Note: Door must be fitted at time of wall construction

FRAME PROFILE SHOWN IS THE ONLY PROFILE AVAILABLE FOR THIS WALL TYPE
NOTE: ON AVAILABLE AS SINGLE DOOR SET

WALL TYPE: **STEEL STUD**

FRAME TYPE: **TIMBER**

Frame materials available:

Timber (minimum thickness is 30 mm)

Fasteners:

Frame - Screwed (10g x 50mm self tapping) at 600mm centres nominal. Minimum of one screw per location. Frames may also be installed by screw fixing the steel studs to the back of the timber frame during wall construction.

Stops - nailed (50 x 3.2mm) at 200mm centres.

Architrave - nailed (50 x 3.2mm) at 400mm centres.

Head Fixing (minimum):

Single door - none required

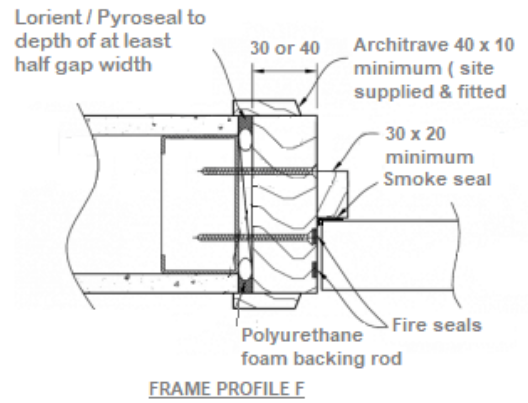
Paired door - double central fastener required

Stud size:

65 x 34mm minimum of 0.55 MSG gauge.

Wedging gap:

0-10mm



WALL TYPE: **STEEL STUD**

FRAME TYPE: **STEEL**

Frame materials available:

EGZ - 1.6mm

Cold rolled galvanized - 1.6mm

Stainless Steel - 1.5mm

Fasteners:

Frame screwed to boxed stud at 600mm centres nominal with self tapping screws.

Steel studs may be riveted (steel pop rivets) or screwed (9g x 45mm self tapping) to the frame bracing straps at 600mm centres nominal.

Head Fixing (minimum):

Single door - none required

Paired door - double central fastener required

Stud size:

65 x 34mm minimum of 0.55 SMG gauge

Wedging gap:

Not applicable

Insulation rating:

To obtain an insulation rating, the steel frame must be packed with either;

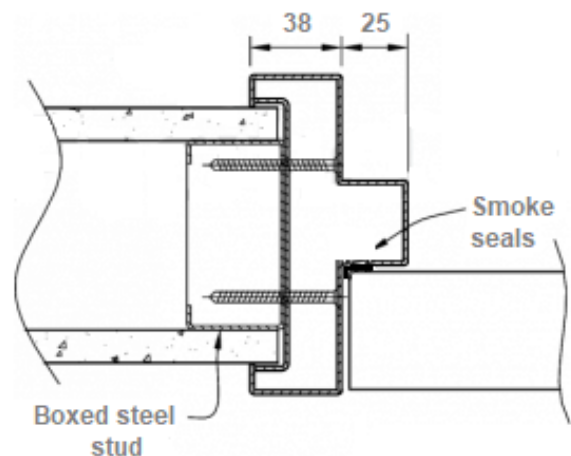
Plasterboard (30 minutes)

Cornice plaster (30 minutes)

Grout (60 minutes)

Mineral Wool (30 minutes)

No frame packing equals no insulation rating (i.e. -/xx/-)



FRAME PROFILE D3

same method for G & J : wall thickness will determine profiles available

WALL TYPE: **STEEL STUD**

FRAME TYPE: **STEEL**

Frame materials available:

EG Z - 1.6 mm

Cold rolled galvanized - 1.6 mm

Stainless Steel - 1.5 mm

Fasteners:

Frame screwed to boxed studs with packing steel shims at 600 mm centres nominal.

Steel studs may be riveted (steel pop rivets) or screwed (9g x 45 mm self tapping) to the frame bracing straps at 600 mm centres nominal.

Head Fixing (minimum):

Single door - none required

Paired door - double central fastener required

Stud size:

65 x 34 mm minimum of 0.55 SM G gauge

Wedging Gap:

0-10 mm

Insulation rating:

To obtain an insulation rating, the steel frame must be packed with either;

Plasterboard (30 minutes)

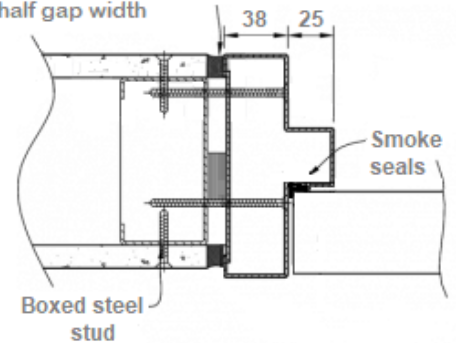
Cornice plaster (30 minutes)

Grout (60 minutes)

Mineral Wool (30 minutes)

No frame packing equals no insulation rating (i.e. -/x/-)

Lorient / Pyroseal to depth of at least half gap width



FRAME PROFILE D3

same method for G & J : wall thickness will determine profiles available