

## Best Doors PC30 Hinged Door Set -/30/30sm

Best Doors PC30 is a side hung door set. The door set configuration may be single leaf or pair, finished with a variety of facings and hung in a steel or timber frame.

If required, bottom seals can be selected from the hardware list.

Wall Type	Jamb Type	Fire Resistance Rating Stability/Integrity/Insulation	Door Application	Max Leaf Height (mm)	Max Leaf Width (mm)
Steel Stud Wall Timber Stud Wall Masonry Wall	Timber	-/30/30sm	Single	2700	1200
			Pair	2700	1200
Steel Stud Wall Timber Stud Wall Masonry Wall	Steel	-/30/30sm	Single	3000	1500
			Pair	3000	1500
Speedwall	Steel	-/30/30sm	Single & Pair	2400	1200
				2700	1050
James Hardie	Steel	-/30/30sm	Single	2400	1020

### Notes:

Please note that the maximum leaf width shown above is measured per door leaf.

The 'sm' above denotes that the door is available as a smoke control door set.

Meeting styles for doors installed into Speedwall are restricted to J-Section or Bullnose.

Timber jambs are not possible for doors installed into Speedwall.

Insulation ratings must be notified at time of pricing for steel frames.

Door sets with leaves larger than 2700 x 1200 are not intended for frequent use, we recommend they be typically either held open or closed with compliant hardware in normal operation.

## Product Options

### LEAF FACINGS

MDF	Fire Rated Formica *
Hardboard	High pressure laminate
Oil Tempered Hardboard	up to 1.5mm thick (e.g. Lamindex, Formica)
Plywood	Decorative timber mouldings/panels
Timber Veneers *	Aluminium sheet (0.3 - 1mm) *
Acrylic - vinyl sheets up to 1.5mm thick (e.g.	Metal Sheet, mild or stainless (0.6 - 1.0mm) *
Acrovyn, Korogard)	Lamindex Decoral *
Sheet Vinyl (1.25 - 2mm)	

### Notes:

Of the above facings only those marked \* may extend around the door edge.

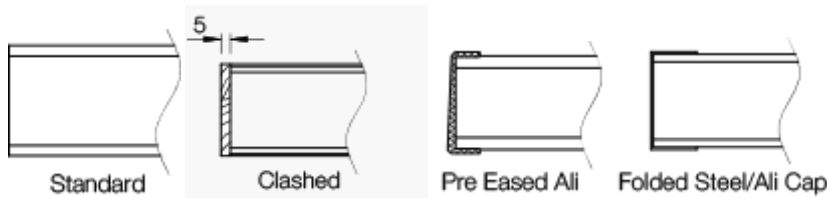
Steel frames are required where metal capping is used.

Standard Paint Quality doors are allowed 'non-clashed' to provide best surface for finish painting.

Other facings may be available, please contact Best Doors to discuss further options.

### LEAF EDGES

The leaf edges listed below are available for the PC30 door set

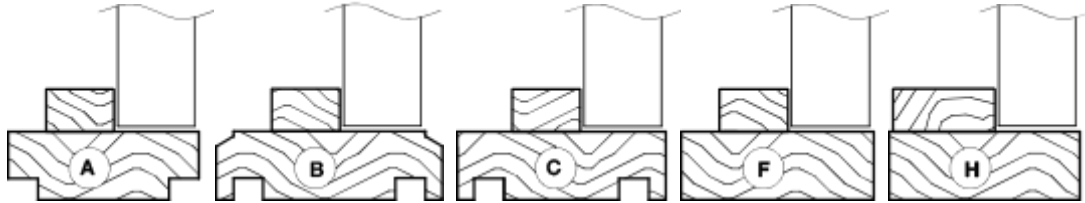


**FRAME TYPES & PROFILES**

**Timber Frame**

The timber frame profiles listed below are available for the PC30 door set.

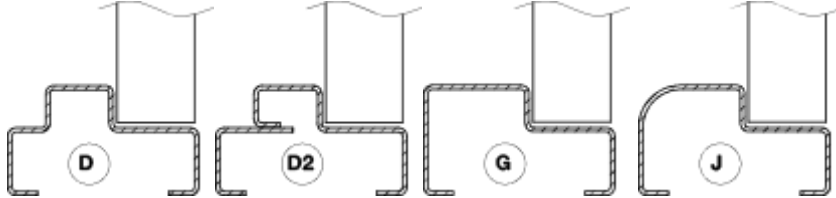
The timber species of the frame must be pine or denser (500 kg/m<sup>3</sup>)



**Steel Frame**

The steel frame profiles listed below are available for the PC30 door set.

The PC30 door set is available in the two-part steel frame system for fixing to walls already lined.



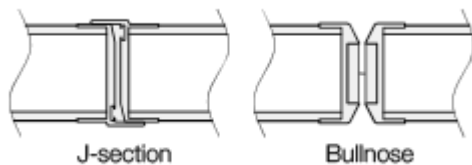
**Notes:**

D2 not available for doors with sidelights or overlights, and is not compliant in Speedwall.

For more in depth information on frame profiles and sizes, please see our Installation Instructions.

**MEETING STILES**

The meeting stiles listed below are applicable to paired door sets only.



**WALL TYPES**

As previously noted, Jambs may be connected to timber stud, steel stud or concrete/masonry walls. The minimum specification for each wall type is:

Precast Concrete of 100mm thickness minimum or grouted blockwork of 140mm thickness minimum.

Non-load bearing timber stud partitions of minimum lining thickness 10mm Fyrelite Gib Board in accordance with GBT60a/GBT60b (steel framed door set) according to Gib Fire Rated Systems 2001. Where steel framed door sets are used, wall framing must be 100 x 50mm minimum.

Non-load bearing steel stud partitions of minimum specification GBS60 (Gib Fire Rated Systems Catalogue)

Universal Wall systems GBUW 30a or GBUW 30b

Speedpanel & Korok walls (51mm, 64mm or 78mm)

James Hardie JHETGJ60 fire rated wall system.

**Product Optional Extras**

Glazing Type	Maximum Glazed Area	Max Height (mm)	Max Width (mm)	Glazing Bead		FRR with Vision Panel	
				Timber	Aluminium	Up to 0.065m <sup>2</sup>	Over 0.065m <sup>2</sup>
Pyrobel	0.32 m <sup>2</sup>	850	950	✓	✓	- /30/30	- /30/30

Glazing Type	Maximum Glazed Area	Max Height (mm)	Max Width (mm)	Glazing Bead		FRR with Vision Panel	
				Timber	Aluminium	Up to 0.065 m <sup>2</sup>	Over 0.065 m <sup>2</sup>
Georgian Wired	0.32 m <sup>2</sup>	850	950	✓	✓	-/30/30	-/30/-
Fire lite	0.32 m <sup>2</sup>	850	950	✓	✓	-/30/30	-/30/-
Robax	0.32 m <sup>2</sup>	850	950	✓	✓	-/30/30	-/30/-
Pyran	0.32 m <sup>2</sup>	850	950	✓	✓	-/30/30	-/30/-

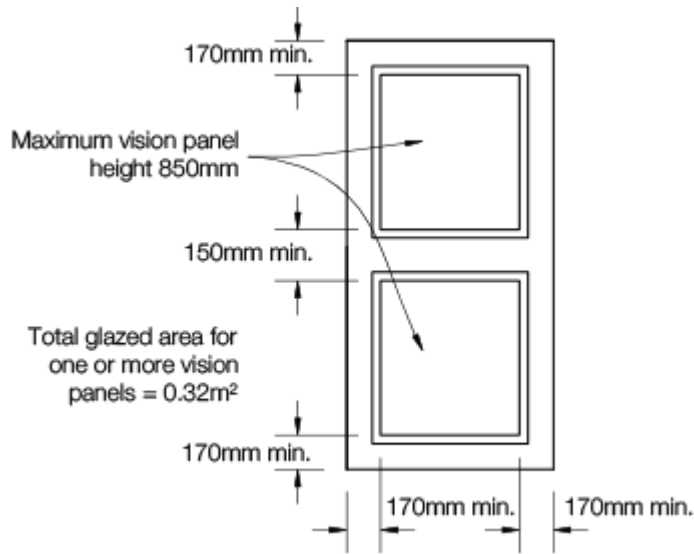
**Notes:**

Please note that the height and width of the vision panel must still fall within the maximum glazed area.

Glazing types marked with \* indicate Grade A Safety glass.

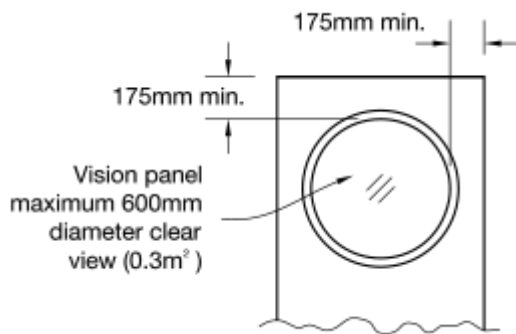
Circular vision panels are not possible with Pyrobel glazing.

For 30 minute door sets with larger vision panel options, please refer to the PC30-G, PC60-P

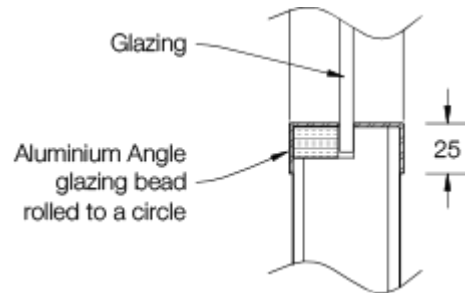


**CIRCULAR VISION PANELS**

Size allowance

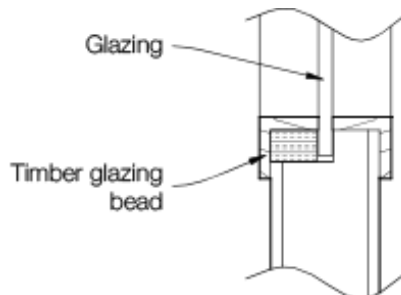


Standard Cross Section



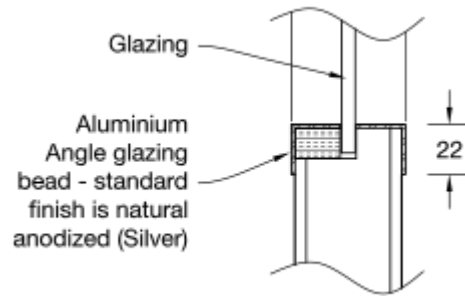
**STANDARD VISION PANEL CROSS SECTIONS**

Timber Bead

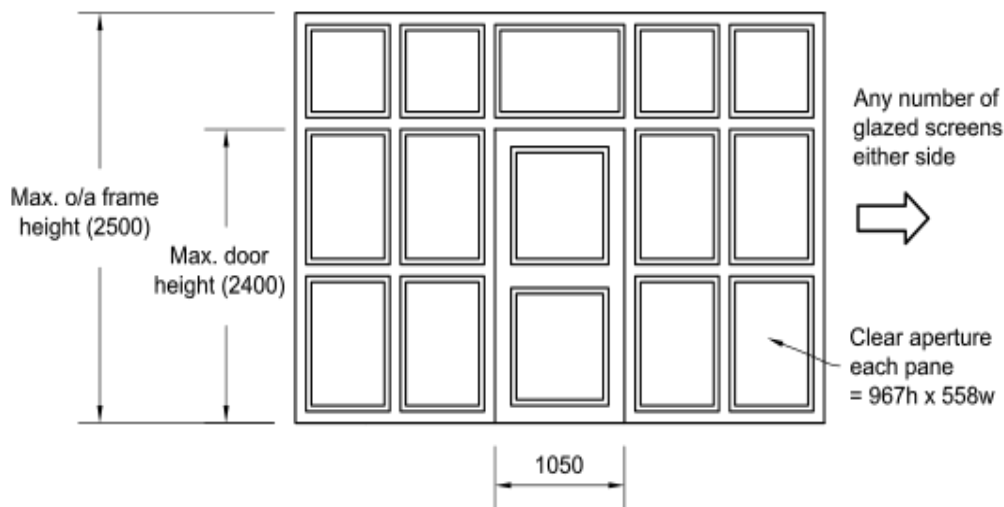


Aluminium Bead





Timber Frame - Uninsulated Sidelights and Overlights



Restrictions

Maximum height of overall unit is 2500 mm.

This sidelight and overlight configuration is available for single and paired door sets, however the maximum height and width of the door set is 2400h x 1050w when a sidelight and/or overlight is added.

This sidelight and overlight configuration applies to the following uninsulated glazing types:

Firelite

Georgian Wired

Robax

Pyran

Clear pane size of 967h x 558w for all applicable glazing types.

Steel Frame - Uninsulated Sidelights and Overlights

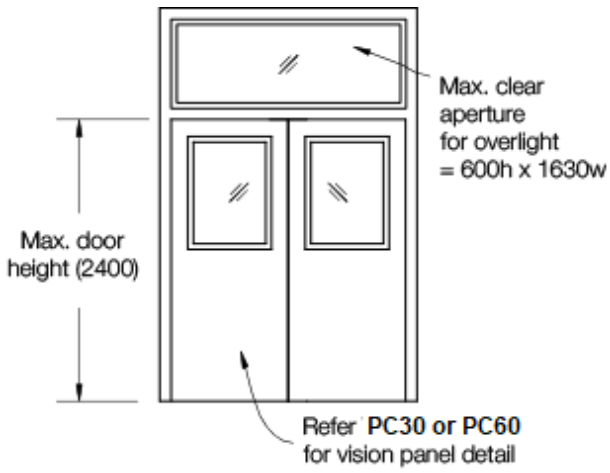
Restrictions

Maximum height of overall unit is 3100 mm.

This sidelight and overlight configuration is available for single and paired door sets, however the maximum height and width of the door set is 2400h x 1200w when a sidelight and/or overlight is added.

This sidelight and overlight configuration applies to the following uninsulated glazing types:

Firelite



Georgian Wired

Robax

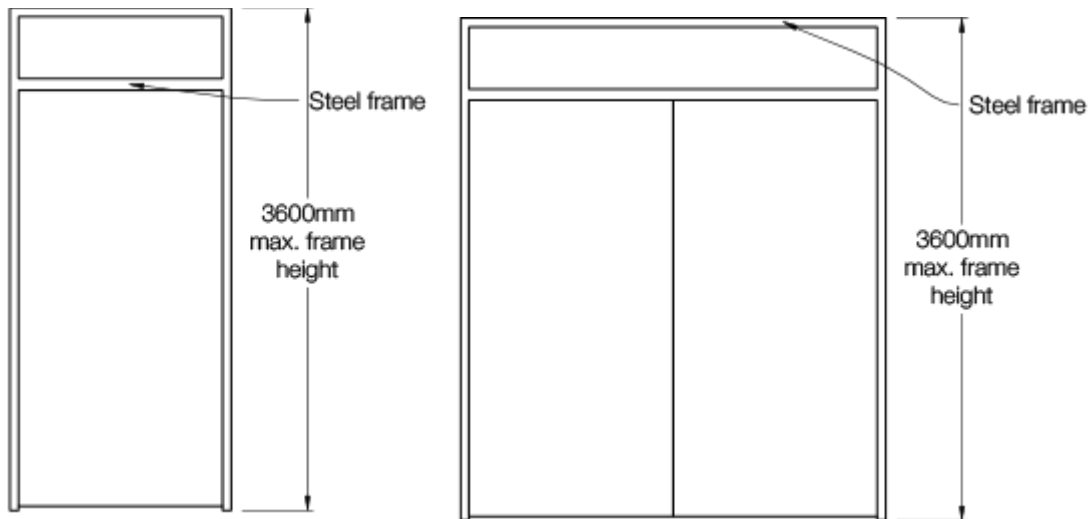
Pyran

Clear pane size of 600h x 1630w for all applicable glazing types.

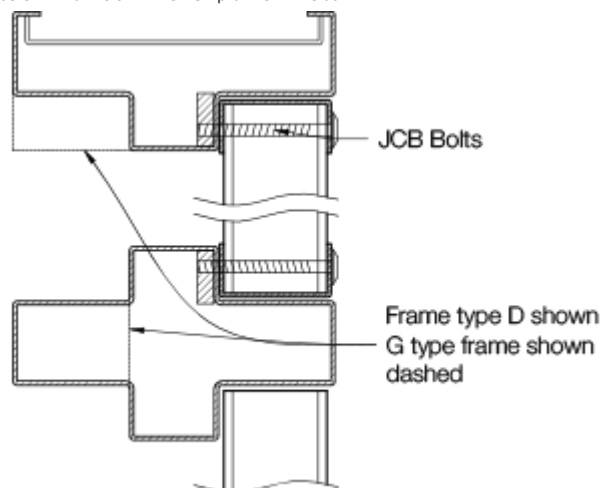
For an insulated sidelight and overlight configuration, please refer to the PC30P door set.

Overpanel With Transom Elevations in Steel Frame

Overpanels with transom are available in steel jambs to an overall height of 3600mm both in single leaf and pair door sets.

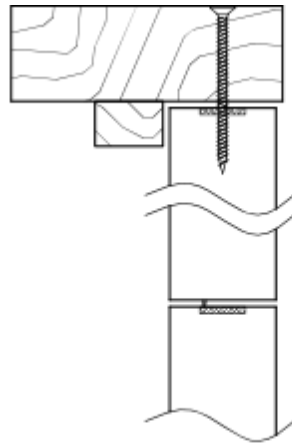
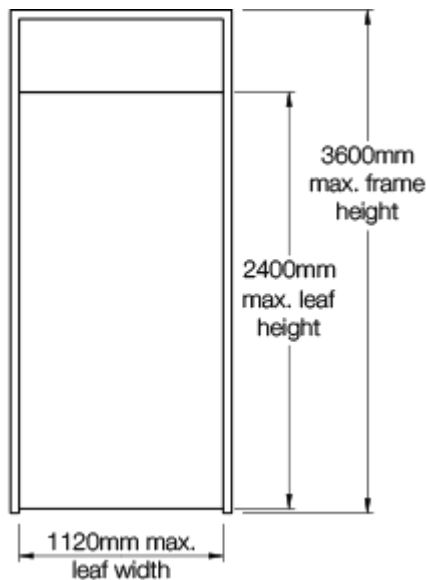


Steel Transom Overpanel Detail



Transomless Overpanel Elevation and Detail

An overpanel without transom is available in steel or timber jambs to an overall height of 3600mm with maximum door leaf dimension 2400 x 1200mm in single leaf only.



Detail for transomless overpanel in timber frame (PC30 single door only)

Fixed side panels may be fitted as part of this door set in a steel frame.

Sidelights, Overlights and Panels are not permitted in Speed wall.

#### PUSH OR KICK PLATES

Push plates or kickplates can be of the below permitted materials and can be either surface mounted or recessed flush. Fixing may be via screws or contact adhesive only.

Steel (mild or Stainless)

Vinyl Sheets up to 2mm

Formica

Acrovyn

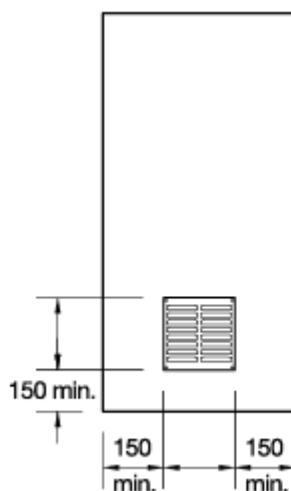
Korogard

Rubber kickplates can only be surface mounted – special conditions do apply, please contact us for more detail.

#### VENTILATION GRILLES

Please note that fire doors with ventilation grilles cannot be certified as 'Smoke' control door sets.

An intumescent grille is available to a maximum aperture 600 x 600mm. Two such Intumescent grilles may be fitted to each leaf separated from each other and hardware by at least 200mm.



Lorient LVDH intumescent grilles are available to a maximum rating of ~/120/30.

Pyropanel Pyrogrilles can be supplied if required to achieve ~/180/30 fire rating

Special grille covers are required for exterior situations

Available sizes are:

W	H
600	300mm
450	450mm
600	600mm

Drop shutter grilles are not an option on this doorset.

#### SLOPING / RAKED HEAD FIRE DOOR

The PC30 leaf is available with a raked top edge. The length of the inclined edge must not exceed 1200mm.

#### ADJACENT DOORS

Adjacent fire rated doors are permitted provided the central mullion is grouted steel or else timber (100 x 75mm lined with Fyrelite Gib Board 13mm each side or hardwood 60 x 115mm minimum without linings). Adjacent fire rated doors are not permitted in Speedwall.

#### DECORATIVE TIMBER MOULDINGS AND PANELS

Nominal 43 x 12mm untreated timber mouldings or 20mm thick panels are permitted on the facings provided they are kept 50mm from the leaf edge or vision panel.

This door leaf has a thermal insulation rating (R-value) of 0.645 Km<sup>2</sup>/W.

#### TECHNICAL COMPLIANCE STATEMENT

The PC30 fire door complies with the requirements of NZS 4520 Fire-resistant door sets when installed in accordance with Best Doors' Installation Instructions into a complying fire-resistant wall, and when fitted with approved hardware.

NZS 4520 is referenced in the New Zealand Building Code Acceptable Solutions (Appendix C 6.1.1)

Best Doors PC30 fire doors have been successfully fire-tested in accordance with AS1530.4, as referenced in NZS 4520 and in Appendix C 5.1.1.

The fire resistance achieved by the PC30 was FRR -/30/30

The PC30 has been tested to and met the physical endurance requirements of NZS 4520 Appendix A.

The PC30 fire door will satisfy the requirements of NZBC, B2 "Durability" under conditions of use, installation and maintenance specified by Best Doors, or specific contractual guarantees, whichever are overriding.