

## Best doors PA60 Door Set -/60/60sm Installation

WALL TYPE: **TIMBER STUD**

FRAME TYPE: **TIMBER**

Frame materials available:

Hardwood timber - Min. density 580 kg/m<sup>3</sup> (minimum thickness is 30 mm)

**Fasteners:**

Frame - Either nailed (75 x 3.2 mm) or screwed (10g x 75 mm) at 600 mm centres nominal. Two fixings per location.

Stops - nailed (50 x 3.2 mm) at 200 mm centres.

Architrave - nailed (50 x 3.2 mm) at 400 mm centres.

Pryda Jamb-fixa brackets Type JFB100 at 500 mm centres may be used to fix profiles A & B to approved walls.

**Head Fixing (minimum):**

Single door - none required

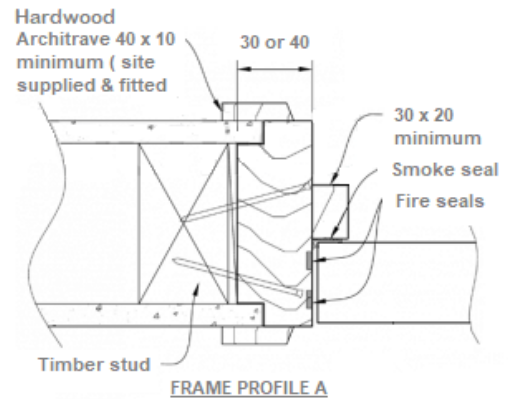
Paired door - single central fastener required

**Stud size:**

Ex 100 x 50 minimum.

**Wedging gap:**

0-10 mm



WALL TYPE: **TIMBER STUD**

FRAME TYPE: **TIMBER**

Frame materials available:

Hardwood timber - Min. density 580 kg/m<sup>3</sup> (minimum thickness is 30 mm)

**Fasteners:**

Frame - Either nailed (75 x 3.2 mm) or screwed (10g x 75 mm) at 600 mm centres nominal. Two fixings per location.

Stops - nailed (50 x 3.2 mm) at 200 mm centres.

Architrave - nailed (50 x 3.2 mm) at 400 mm centres.

Pryda Jamb-fixa brackets Type JFB100 at 500 mm centres may be used to fix profiles A & B to approved walls.

**Head Fixing (minimum):**

Single door - none required

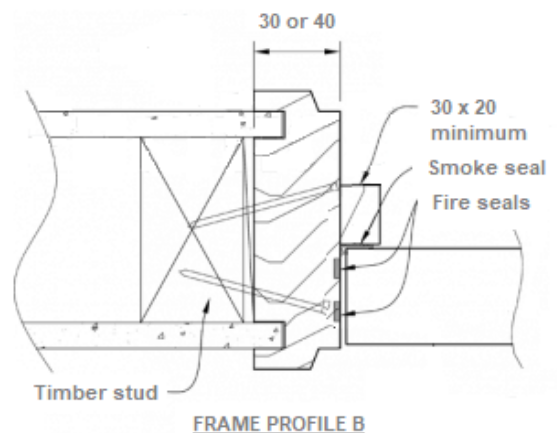
Paired door - single central fastener required

**Stud size:**

Ex 100 x 50 minimum.

**Wedging gap:**

0-10 mm



WALL TYPE: **TIMBER STUD**

FRAME TYPE: **TIMBER**

Frame materials available:

Hardwood timber - Min. density 580 kg/m<sup>3</sup>  
(minimum thickness is 30 mm)

Fasteners:

Frame - Either nailed (75 x 3.2 mm) or screwed (10g x 75 mm) at 600 mm centres nominal. Two fixings per location.

Stops - nailed (50 x 3.2 mm) at 200 mm centres.

Architrave - nailed (50 x 3.2 mm) at 400 mm centres.

Head Fixing (minimum):

Single door - none required

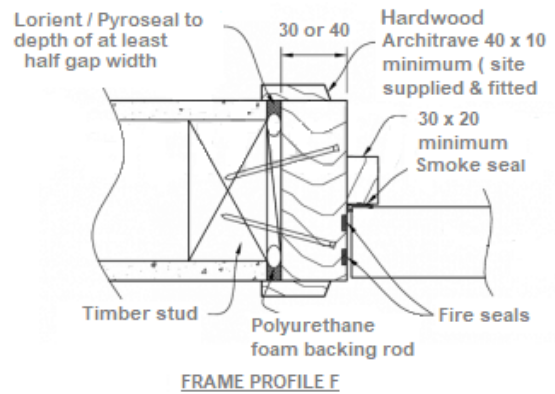
Paired door - single central fastener required

Stud size:

Ex 100x50 minimum.

Wedging gap:

0-15 mm



WALL TYPE: **TIMBER STUD**

FRAME TYPE: **STEEL ( 2 part )**

Frame materials available:

\* EGZ - 1.6 mm

\* Cold rolled galvanized - 1.6 mm

\* Stainless Steel - 1.5 mm

Fasteners:

Frame to be screw fixed (8g x 50 mm self tapping through frame straps, timber packers and into timber stud. Standard is 4 No. per Jamb (Front section), 2 No. Per Jamb (Rear section)

Head Fixing (minimum):

Single door - none required

Paired door - 2 No. fasteners required (Front section only)

Stud size:

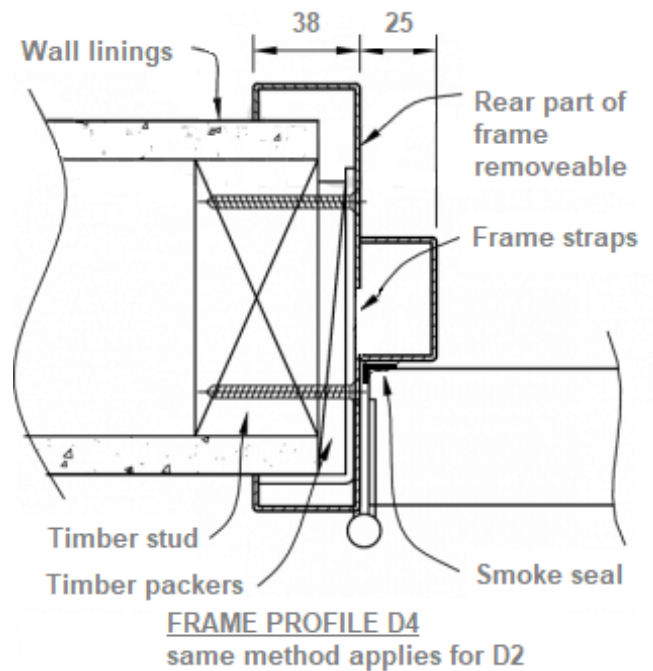
Ex 100x50 minimum

Wedging gap:

Not applicable

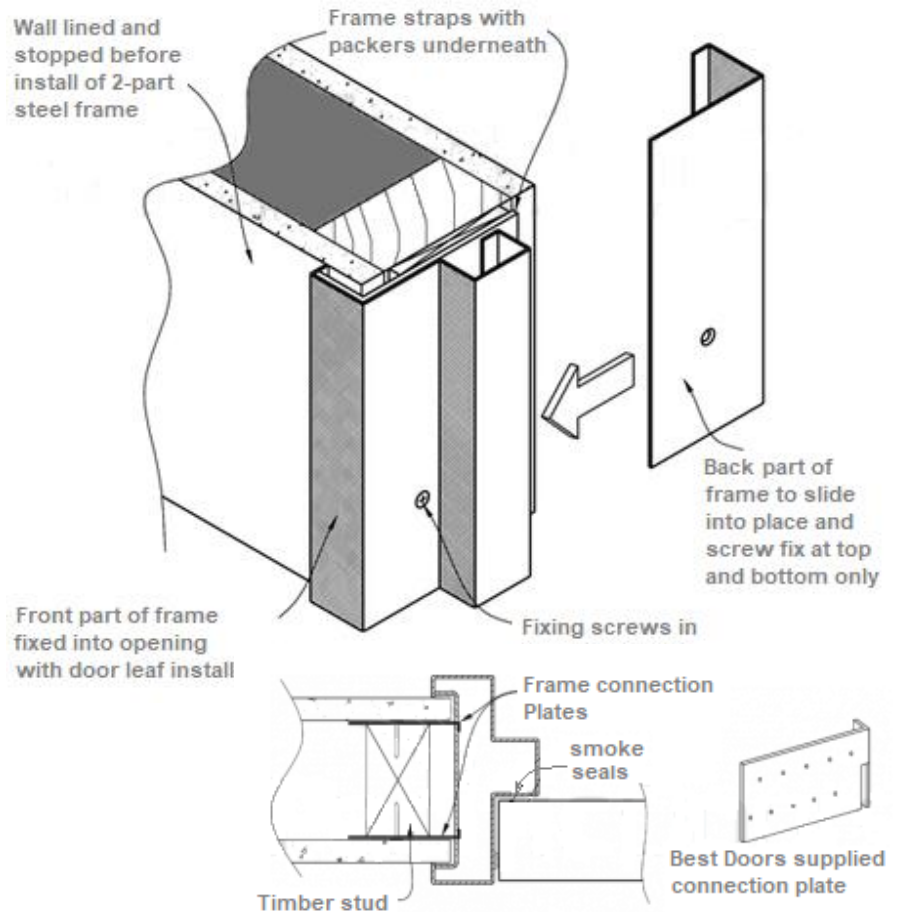
Insulation rating:

To obtain an insulation rating, the steel frame must be packed with either;



Plasterboard (30 minutes)  
 Cornice plaster (30 minutes)  
 Grout (60 minutes)  
 Mineral Wool (30 minutes)  
 No frame packing equals no insulation rating i.e. -xx/-

**2-PART STEEL FRAME IN TIMBER STUD**



**WALL TYPE: TIMBER STUD**

**FRAME TYPE: STEEL**

**Frame materials available:**

EGZ - 1.6 mm

Cold rolled galvanized - 1.6 mm

Stainless Steel - 1.5 mm

**Fasteners:**

Folded steel connection plates (as shown) to be supplied with frames.

Hook onto frame bracing straps and nail or screw to timber studs.

Frame connection plates either clouts (30 x 2.5 mm gib clouts) or screw fixed.

**Head Fixing (minimum):**

Single door - none required

Paired door - single central fastener required

**Stud size:**

Ex 100 x 50 minimum

**Wedging gap:**

Not applicable

**Insulation rating:**

To obtain an insulation rating, the steel frame must be packed with either;

Plasterboard (30 minutes)

Cornice plaster (30 minutes)

Grout (60 minutes)

Mineral Wool (30 minutes)

No frame packing equals no insulation rating (i.e. -xx/-)

**FRAME PROFILE D3**

Same method for G & J : wall thickness will determine profiles available

WALL TYPE: **TIMBER STUD**

FRAME TYPE: **STEEL**

Frame materials available:

EG Z - 1.6 mm

Cold rolled galvanized - 1.6 mm

Stainless Steel - 1.5 mm

Fasteners:

Framing stud No.1 screwed to jamb.

Connection to stud No.2 via rebated nail on plates. One fastener per location except at bottom where two fasteners are required.

Frame to be screw fixed (10g x 50mm self tapping) at 600mm nominal centres. Two fasteners per location where applicable.

Head Fixing (minimum):

Single door - none required

Paired door - double central fastener required

Stud size:

Ex 100x50 minimum

Wedging gap:

Not applicable

Insulation rating:

To obtain an insulation rating, the steel frame must be packed with either;

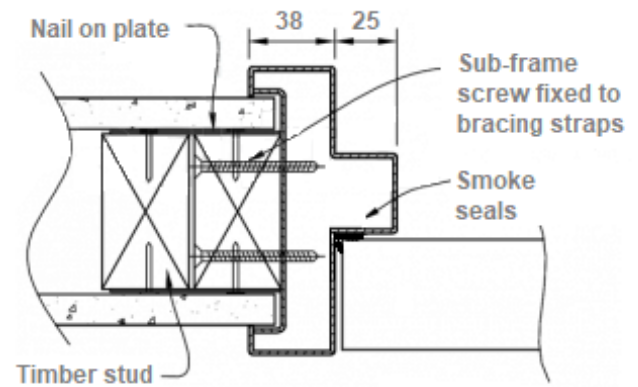
Plasterboard (30 minutes)

Cornice plaster (30 minutes)

Grout (60 minutes)

Mineral Wool (30 minutes)

No frame packing equals no insulation rating (i.e. -/xx/-)



**FRAME PROFILE D3**

Same method for G & J : wall thickness will determine profiles available

WALL TYPE: **TIMBER STUD**

FRAME TYPE: **STEEL**

Frame materials available:

EG Z - 1.6 mm

Cold rolled galvanized - 1.6 mm

Stainless Steel - 1.5 mm

Fasteners:

Frame screwed to stud through Gib Fyreline packing between stud and shims.

Frame to be screw fixed (10g x 50mm self tapping) at 600mm nominal centres. Two fasteners per location where applicable.

Head Fixing (minimum):

Single door - none required

Paired door - double central fastener required

Stud size:

Ex 100 x 50 minimum

Wedging gap:

0-10 mm

Insulation rating:

To obtain an insulation rating, the steel frame must be packed with either;

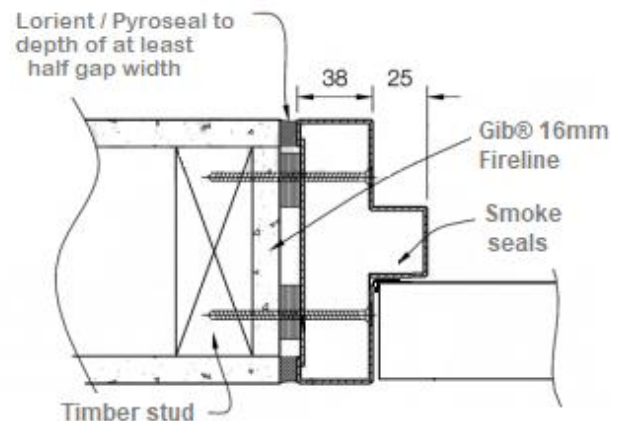
Plasterboard (30 minutes)

Cornice plaster (30 minutes)

Grout (60 minutes)

Mineral Wool (30 minutes)

No frame packing equals no insulation rating (i.e. -/xx/-)



**FRAME PROFILE D3**

Same method for G & J : wall thickness will determine profiles available

WALL TYPE: **TIMBER STUD**

FRAME TYPE: **STEEL**

Frame materials available:

EGZ - 1.6mm

Cold rolled galvanized - 1.6mm

Stainless Steel - 1.5mm

Fasteners:

Frames may be screwed directly to studs either through the stud and into the frame bracing straps or through the frame into the timber stud at 600mm centres nominal.

Frame to be screw fixed (10g x 50mm self tapping) at 600mm centres nominal. Two fasteners per location where applicable.

Head Fixing (minimum):

Single door - none required

Paired door - double central fastener required

Stud size:

Ex 100 x 50 minimum

Wedging gap:

Not applicable

Insulation rating:

To obtain an insulation rating, the steel frame must be packed with either;

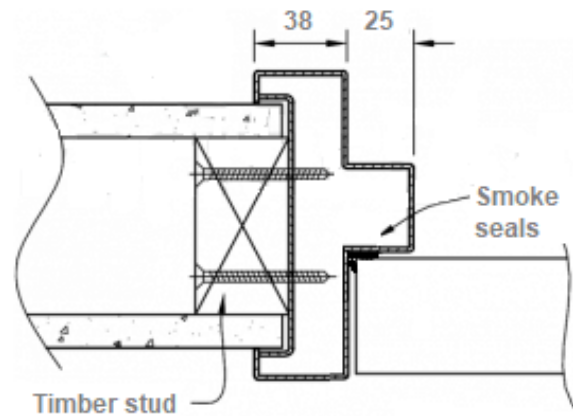
Plasterboard (30 minutes)

Cornice plaster (30 minutes)

Grout (60 minutes)

Mineral Wool (30 minutes)

No frame packing equals no insulation rating (i.e. -/xx/-)



#### FRAME PROFILE D3

Same method for G & J: wall thickness will determine profiles available

WALL TYPE: **MASONRY**

FRAME TYPE: **TIMBER**

Frame materials available:

Hardwood timber - Min. density 580 kg/m<sup>3</sup> (minimum thickness is 30mm)

Fasteners:

Frame - M8 or M10 'Ramset' Dynabolts at 600mm centres nominal. Fixings on or near centre of frame jamb.

Stops - nailed (50 x 3.2mm) at 200mm centres.

Architrave - nailed (50 x 3.2mm) at 400mm centres.

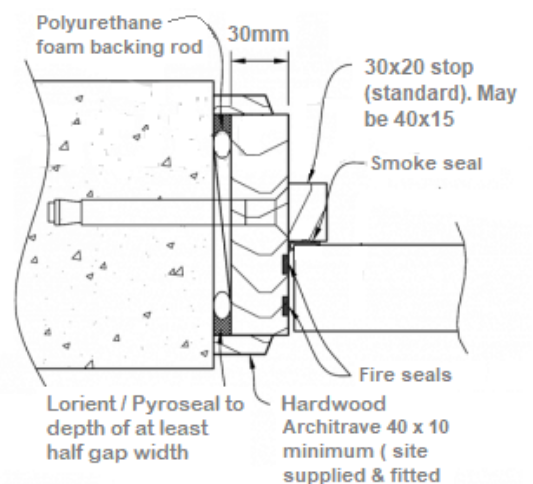
Head Fixing (minimum):

Single door - none required

Paired door - single central fastener required

Wedging gap:

0-15mm



#### FRAME PROFILE F

WALL TYPE: MASONRY

FRAME TYPE: STEEL

Frame materials available:

EGZ - 1.6mm

Cold rolled galvanized - 1.6mm

Stainless Steel - 1.5mm (Must be fully grouted frame PR90-120)

Fasteners:

Jamb fixing at 600mm centres minimum

Expansion anchors eg. M10 countersunk

'Ramset' Dynabolts

M12 countersunk masonry screwbolts

Head Fixing (minimum):

Single door - none required

Paired door - single central fastener required

Wedging Gap:

0-15mm

Insulation rating:

To obtain an insulation rating, the steel frame must be packed with either;

Plasterboard (30 minutes)

Cornice plaster (30 minutes)

Grout (60 minutes)

Mineral Wool (30 minutes)

No frame packing equals no insulation rating (i.e. -/xx/-)

WALL TYPE: STEEL STUD

FRAME TYPE: TIMBER

Frame materials available:

Hardwood timber - Min. density 580 kg/m<sup>3</sup> (minimum thickness is 30mm)

Fasteners:

Frame - Screwed (10g x 50mm self tapping) at 600mm centres nominal. Minimum of one screw per location. Frames may also be installed by screw fixing the steel studs to the back of the timber frame during wall construction.

Stops - nailed (50 x 3.2mm) at 200mm centres.

Architrave - nailed (50 x 3.2mm) at 400mm centres.

Head Fixing (minimum):

Single door - none required

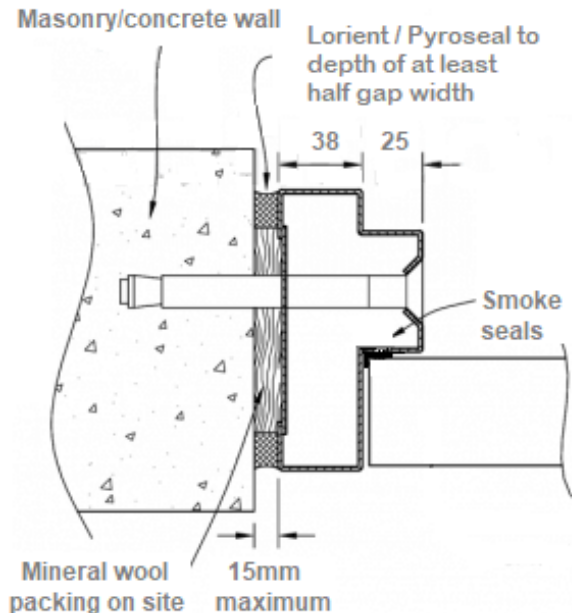
Paired door - double central fastener required

Stud size:

65 x 34mm minimum of 0.55 MSG gauge.

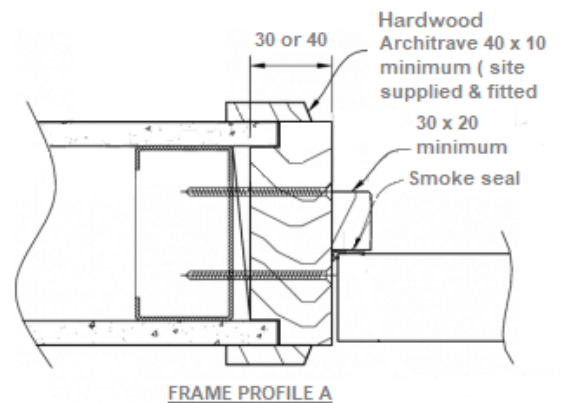
Wedging gap:

0-10mm



FRAME PROFILE D3

Same method for G & J: wall thickness will determine profiles available



FRAME PROFILE A

WALL TYPE: **STEEL STUD**

FRAME TYPE: **TIMBER**

Frame materials available:

Hardwood timber - Min. density 580 kg/m<sup>3</sup> ≥  
(minimum thickness is 30 mm)

Fasteners:

Frame - Screwed (10g x 50mm self tapping) at 600mm centres nominal. Minimum of one screw per location. Frames may also be installed by screw fixing the steel studs to the back of the timber frame during wall construction.

Stops - nailed (50 x 3.2mm) at 200mm centres.

Architrave - nailed (50 x 3.2mm) at 400mm centres.

Head Fixing (minimum):

Single door - none required

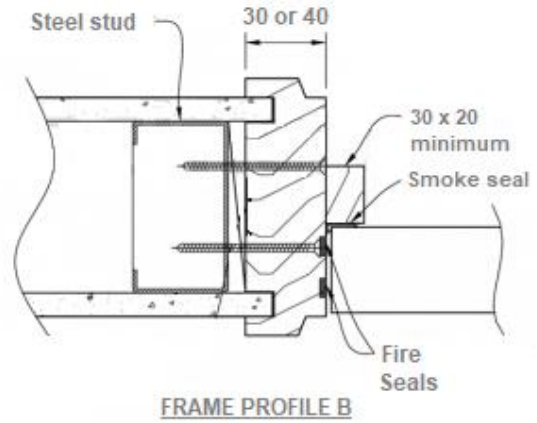
Paired door - double central fastener required

Stud size:

65 x 34mm minimum of 0.55 MSG gauge.

Wedging gap:

0-10mm



WALL TYPE: **STEEL STUD**

FRAME TYPE: **TIMBER**

Frame materials available:

Hardwood timber - Min. density 580 kg/m<sup>3</sup> ≥ (minimum thickness is 30 mm)

Fasteners:

Frame - Screwed (10g x 50mm self tapping) at 600mm centres nominal. Minimum of one screw per location. Frames may also be installed by screw fixing the steel studs to the back of the timber frame during wall construction.

Stops - nailed (50 x 3.2mm) at 200mm centres.

Architrave - nailed (50 x 3.2mm) at 400mm centres.

Head Fixing (minimum):

Single door - none required

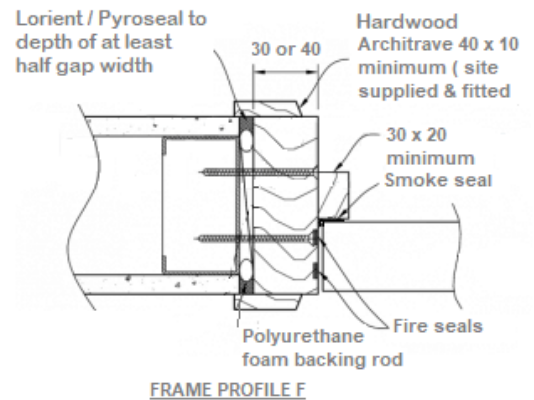
Paired door - double central fastener required

Stud size:

65 x 34mm minimum of 0.55 MSG gauge.

Wedging gap:

0-10mm



WALL TYPE: **STEEL STUD**

FRAME TYPE: **STEEL**

Frame materials available:

EGZ - 1.6 mm

Cold rolled galvanized - 1.6 mm

Stainless Steel - 1.5 mm

Fasteners:

Frame screwed to boxed stud at 600 mm centres nominal with self tapping screws.

Steel studs may be riveted (steel pop rivets) or screwed (9g x 45mm self tapping) to the frame bracing straps at 600mm centres nominal.

Head Fixing (minimum):

Single door - none required

Paired door - double central fastener required

Stud size:

65 x 34 mm minimum of 0.55 SMG gauge

Wedging gap:

Not applicable

Insulation rating:

To obtain an insulation rating, the steel frame must be packed with either;

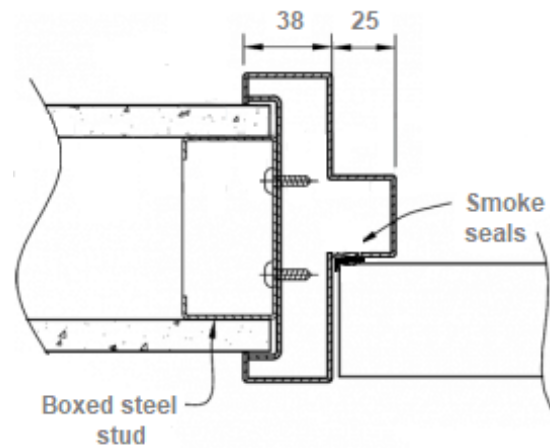
Plasterboard (30 minutes)

Cornice plaster (30 minutes)

Grout (60 minutes)

Mineral Wool (30 minutes)

No frame packing equals no insulation rating (i.e. -/xx/-)



**FRAME PROFILE D3**

same method for G & J : wall thickness will determine profiles available

WALL TYPE: **STEEL STUD**

FRAME TYPE: **STEEL**

Frame materials available:

EGZ - 1.6 mm

Cold rolled galvanized - 1.6 mm

Stainless Steel - 1.5 mm

Fasteners:

Frame screwed to boxed stud at 600 mm centres nominal with self tapping screws.

Steel studs may be riveted (steel pop rivets) or screwed (9g x 45mm self tapping) to the frame bracing straps at 600mm centres nominal.

Head Fixing (minimum):

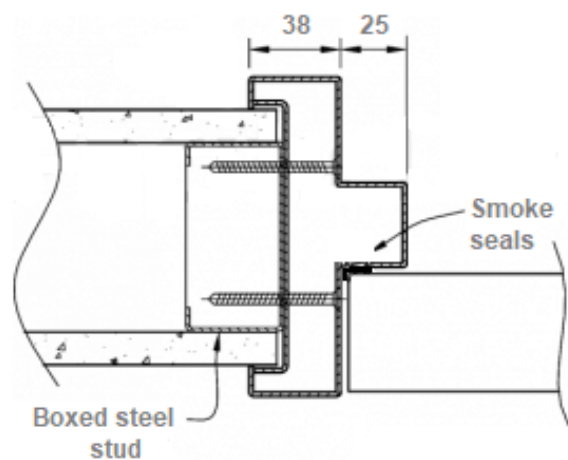
Single door - none required

Paired door - double central fastener required

Stud size:

65 x 34 mm minimum of 0.55 SMG gauge

Wedging gap:



**FRAME PROFILE D3**

same method for G & J : wall thickness will determine profiles available



Not applicable

**Insulation rating :**

To obtain an insulation rating, the steel frame must be packed with either;

Plasterboard (30 minutes)

Cornice plaster (30 minutes)

Grout (60 minutes)

Mineral Wool (30 minutes)

No frame packing equals no insulation rating (i.e. -/xx/-)

**WALL TYPE: STEEL STUD**

**FRAME TYPE: STEEL**

**Frame materials available :**

EGZ - 1.6 mm

Cold rolled galvanized - 1.6 mm

Stainless Steel - 1.5 mm

**Fasteners :**

Frame screwed to boxed studs with packing steel shims at 600mm centres nominal.

Steel studs may be riveted (steel pop rivets) or screwed (9g x 45mm self tapping) to the frame bracing straps at 600mm centres nominal.

**Head Fixing (minimum) :**

Single door - none required

Paired door - double central fastener required

**Stud size :**

65 x 34mm minimum of 0.55 SMG gauge

**Wedging Gap :**

0-10mm

**Insulation rating :**

To obtain an insulation rating, the steel frame must be packed with either;

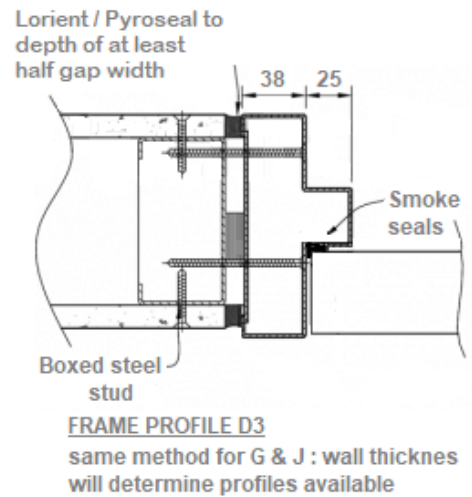
Plasterboard (30 minutes)

Cornice plaster (30 minutes)

Grout (60 minutes)

Mineral Wool (30 minutes)

No frame packing equals no insulation rating (i.e. -/xx/-)



**WALL TYPE: STEEL STUD**

**FRAME TYPE: TIMBER**

**Frame materials available:**

Hardwood timber - Min. density 580 kg/m<sup>3</sup>  
(minimum thickness is 30 mm)

**Fasteners:**

Frame - either nailed (75 x 3.2 mm) or screwed (10 g x 7.5 mm) at 600 mm centres. Two nails or screws per location.

Stops - nailed (50 x 3.2 mm) at 200 mm centres.

Architrave - nailed 50 x 3.2 mm) at 400 mm centres.

Pryda Jam b-fixa brackets Type JBF100 at 500 mm centres.

**Head Fixing (minimum):**

Single door - none required

Paired door - double central fastener required

**Stud size:**

Steel stud minimum 63 mm, timber stud to match

**Wedging gap:**

0-6 mm

