

Best doors PA60 Door Set -/60/60sm

The construction of the PA60 has a solid core and requires no metal fixing plates or channel in the door leaf. It is not suitable for exposed exterior use.

Timber-framed smoke control doors include a seal in the frame.

The thickness of the PA60 door leaf is 48mm with an approximate leaf weight of 24kg/m²

Wall Type	Maximum Fire Resistance Rating Stability/Integrity/Insulation	Door Application	Max Leaf Height (mm)	Max Leaf Width (mm)
Timber Stud Wall Masonry Wall	-/60/60sm	Single	2420	1020
		Single	2200	1120
		Pair	2420	1020
		Pair	2200	1120

Notes:

Please note that the maximum leaf width shown above is measured per door leaf.

The 'sm' above denotes that the door is available as a smoke control door set.

The maximum area per door leaf is 2.468m²

Insulation ratings must be notified at time of pricing for steel frames.

Product Options

LEAF FACINGS

MDF	Kydex
Hardboard	Metal Sheet, mild or stainless (0.6 - 1.0mm) *
Plywood	Sheet Vinyl (1.25 - 2mm)
High pressure laminate up to 1.5mm thick (e.g. Lamindex, Formica)	Aluminium sheet (0.3 - 1mm) *

Notes:

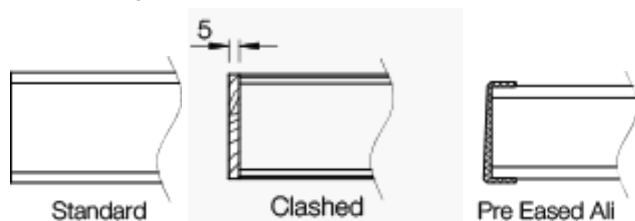
Of the above facings only those marked * may extend around the door edge.

Standard Paint Quality doors are allowed 'non-clashed' to provide best surface for finish painting.

Other facings may be available, please contact Best Doors to discuss further options.

LEAF EDGES

The leaf edges listed below are available for the PA60 door set



Notes:

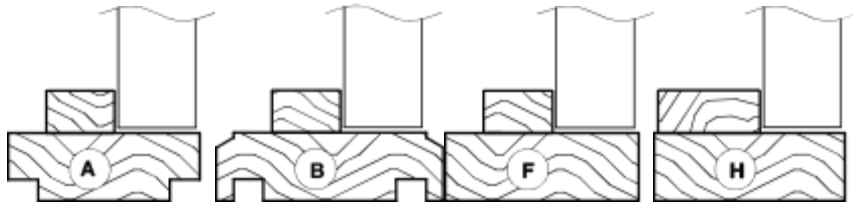
Aluminium cappings are not available for timber frame doorsets.

FRAME TYPES & PROFILES

Timber Frame

The timber frame profiles listed below are available for the PA60 door set.

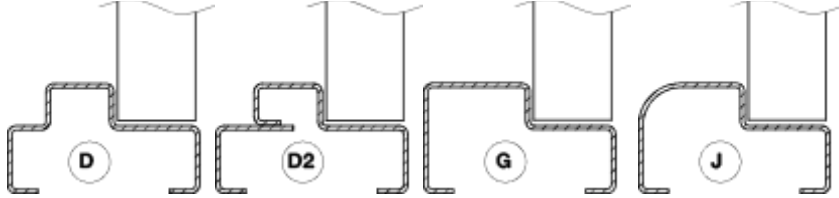
Timber density requirements exclude some species of timber.



Steel Frame

The steel frame profiles listed below are available for the PA60 door set.

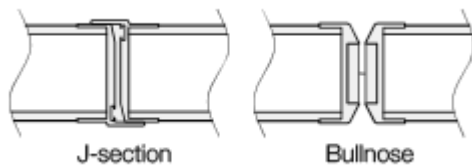
The PA60 door set is available in the two-part steel frame system for fixing to walls already lined.



For more in depth information on frame profiles and sizes, please see our Installation Instructions.

MEETING STILES

The meeting stiles listed below are applicable to paired door sets only.



WALL TYPES

The PA60 can be installed in masonry walls and timber stud dry walls of at least 60 minute fire resistance.

Not applicable in steel stud dry walls.

Product Optional Extras

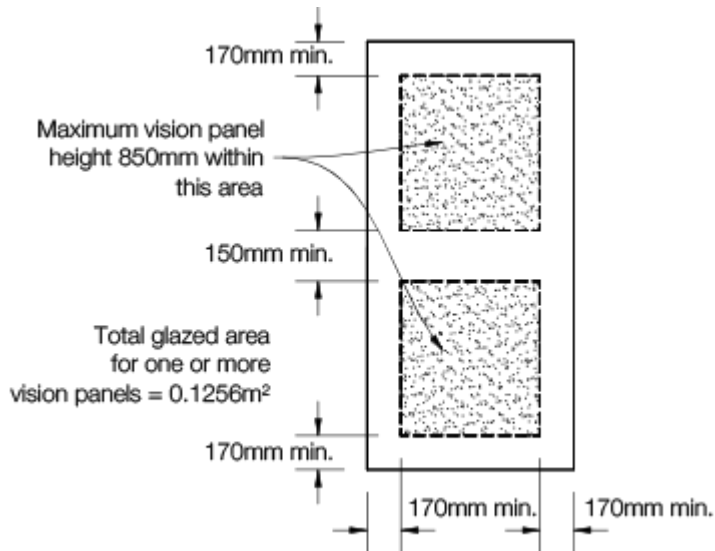
Glazing Type	Maximum Glazed Area	Max Height (mm)	Max Width (mm)	Glazing Bead		FRR with Vision Panel	
				Timber	Aluminium	Up to 0.065 m ²	Over 0.065 m ²
Pyrobel*	0.152 m ²	750	380		✓	- /60/60	- /60/30
Firelite	0.1256 m ²	850	870		✓	- /60/60	-/60/-
Georgian Wired	0.1256 m ²	850	870		✓	- /60/60	-/60/-

Notes:

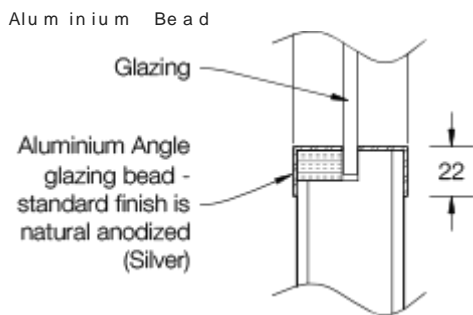
Please note that the height and width of the vision panel must still fall within the maximum glazed area.

Glazing types marked with * indicate Grade A Safety glass.

For 60 minute door sets with larger vision panel options, please refer to the PR 60 fire door.



STANDARD VISION PANEL CROSS SECTIONS



Sidelights and Overlights are not applicable for this door set. Please refer to the PR 60 datasheet.

Overpanels are not applicable for this door set. Please refer to the PR 60 datasheet.

PUSH OR KICKPLATES

Push plates or kickplates can be of the below permitted materials and can be either surface mounted or recessed flush. Fixing may be via screws or contact adhesive only.

Steel (mild or Stainless)

Vinyl Sheets up to 2mm

Formica

Acrovyn

Korogard

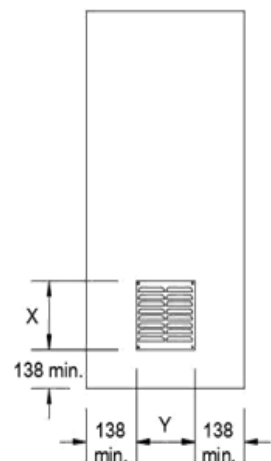
VENTILATION GRILLES

Please note that fire doors with ventilation grilles cannot be certified as 'Smoke' control door sets.

Intumescent grilles are available to a maximum rating of -60/30.

Grille sizes available

- 600 w x 300 m m
- 450 w x 450 m m
- 600 w x 600 m m



This door leaf has a thermal insulation rating (R-value) of 0.536 Km²/W .

TECHNICAL COMPLIANCE STATEMENT

The PA60 fire door complies with the requirements of NZS 4520 Fire-resistant door sets when installed in accordance with Best Doors' Installation Instructions into a complying fire-resistant wall, and when fitted with approved hardware.

NZS 4520 is referenced in the New Zealand Building Code Acceptable Solutions (Appendix C 6.1.1) Best PA60 fire doors have been successfully fire-tested in accordance with AS 1530.4, as referenced in NZS 4520 and in Appendix C 5.1.1.

The fire resistance achieved by the PA60 was FRR -/60/60

The PA60 has been tested to and met the physical endurance requirements of NZS 4520 Appendix A.

The PA60 fire door will satisfy the requirements of NZBC, B2 "Durability" under conditions of use, installation and maintenance specified by Best Doors, or specific contractual guarantees, whichever are overriding.