

## Best doors PA30 Hinged Door Set -/30/30sm

The construction of the PA30 has a solid core and requires no metal fixing plates or channel in the door leaf. If required, bottom seals can be selected from the Hardware list.

Wall Type	Fire Resistance Rating Stability / Integrity / Insulation	Door Application	Max Leaf Height (mm)	Max Leaf Width (mm)
Steel Stud Wall	-/30/30sm	Single	2420	1020
Timber Stud Wall		Single	2200	1120
Masonry Wall		Pair	2420	1020
		Pair	2200	1120

### Notes:

Please note that the maximum leaf width shown above is measured per door leaf.

The 'sm' above denotes that the door is available as a smoke control door set.

The maximum area per door leaf is 2.468 m<sup>2</sup> (Height x Width).

Insulation ratings must be notified at time of pricing for steel frames.

### Product Options

#### LEAF FACINGS

MDF	Kydex
Ply	Timber veneers
Metal facings up to 1mm thick	Vinyl
High Pressure Laminate	

#### Note:

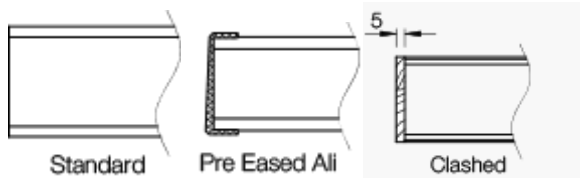
Steel frames are required where metal capping is used.

Standard Paint Quality doors are allowed 'non-clashed' to provide best surface for finish painting.

Other facings may be available, please contact Best Doors to discuss further options.

#### LEAF EDGES

The leaf edges listed below are available for the PA30 door set



#### FRAME TYPES & PROFILES

##### Timber Frame

The timber frame profiles listed below are available for the PA30 door set.

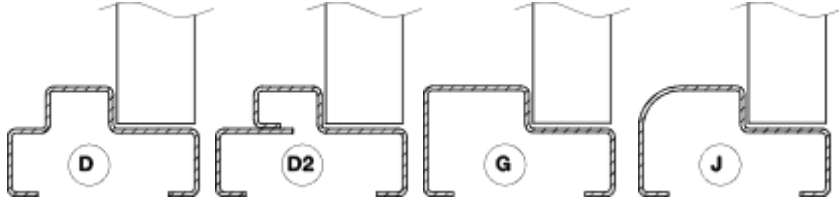
The timber species of the frame must be pine or denser (500 kg/m<sup>3</sup>)



##### Steel Frame

The steel frame profiles listed below are available for the PA30 door set.

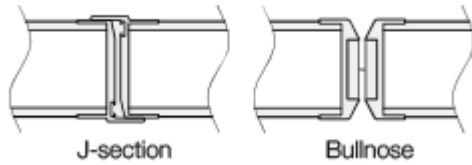
The PA30 door set is available in the two-part steel frame system for fixing to walls already lined.



For more in depth information on frame profiles and sizes, please see our Installation Instructions.

**MEETING STILES**

The meeting stiles listed below are applicable to paired door sets only.



**WALL TYPES**

Can be installed in masonry walls and timber stud drywalls of at least 30 minute fire resistance, and steel stud drywalls of at least 60 minute fire resistance.

**Product Optional Extras**

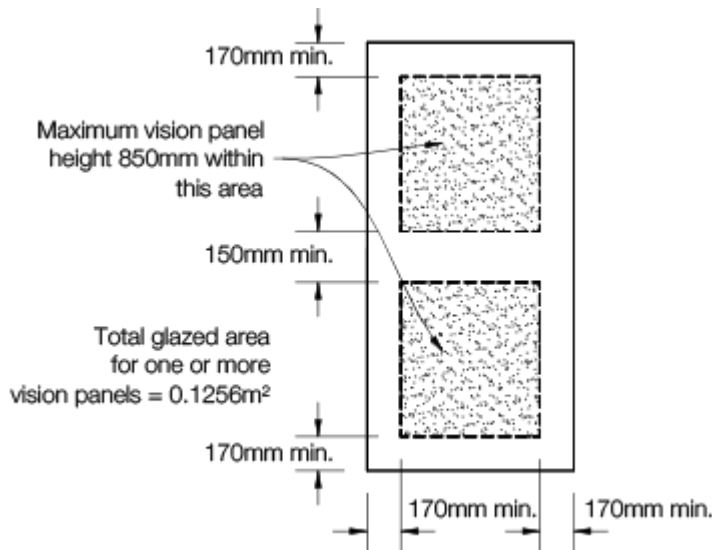
**Vision Panels**

Glazing Type	Maximum Glazed Area	Max Height (mm)	Max Width (mm)	Glazing Bead		FRR with Vision Panel	
				Timber	Aluminium	Up to 0.065 m <sup>2</sup>	Over 0.065 m <sup>2</sup>
Pyrobel *	.152 m <sup>2</sup>	750	380		✓	-/30/30	-/30/30
Firelite	.1256 m <sup>2</sup>	850	870		✓	-/30/30	-/30/-
Georgian Wired	.1256 m <sup>2</sup>	850	870		✓	-/30/30	-/30/-

Notes:

1. Please note that the height and width of the vision panel must still fall within the maximum glazed area.
2. Glazing types marked with \* indicate Grade A Safety glass.

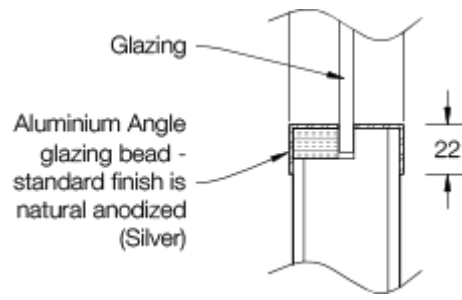
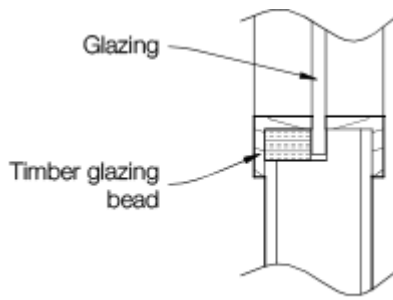
For 30 minute door sets with larger vision panel options, please refer to the PR 30



**STANDARD VISION PANEL CROSS SECTIONS**

Timber Bead

Aluminium Bead



### Side lights and Overlights

Sidelights and Overlights are not applicable for this door set. Please refer to the PR 60 datasheet.

### Overpanels

Overpanels are not applicable for this door set. Please refer to the PR 60 datasheet.

### Additional Door Options

#### PUSH OR KICKPLATES

Push plates or kickplates can be of the below permitted materials and can be either surface mounted or recessed flush. Fixing may be via screws or contact adhesive only.

- Steel (mild or Stainless)
- Vinyl Sheets up to 2mm
- Formica
- Acrovyn
- Korogard

Rubber kickplates can only be surface mounted – special conditions do apply, please contact us for more detail.

#### VENTILATION GRILLES

Please note that fire doors with ventilation grilles cannot be certified as 'Smoke' control door sets.

An intumescent grille is available to a maximum aperture 600 x 600mm. Two such Intumescent grilles may be fitted to each leaf separated from each other and hardware by at least 200mm.

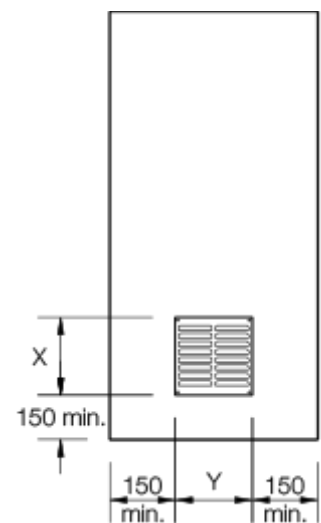
#### VENTILATION GRILLES

Please note that fire doors with ventilation grilles cannot be certified as 'Smoke' control door sets.

Intumescent grilles are available to a maximum rating of -/30/30.

#### Grille sizes available

- 600w x 300mm
- 450w x 450mm
- 600w x 600mm



### Thermal Insulation

This door leaf has a thermal insulation rating (R-value) of 0.536 Km<sup>2</sup>/W.

#### TECHNICAL COMPLIANCE STATEMENT

The PA30 fire door complies with the requirements of NZS 4520 *Fire-resistant door sets* when installed in accordance with Best Doors' Installation Instructions into a complying fire-resistant wall, and when fitted with approved hardware.

NZS 4520 is referenced in the New Zealand Building Code Acceptable Solutions (Appendix C 6.1.1)

Best PA30 fire doors have been successfully fire-tested in accordance with AS1530.4, as referenced in NZS 4520 and in Appendix C 5.1.1.

The fire resistance achieved by the PA30 was FRR -/30/30

The PA30 has been tested to and met the physical endurance requirements of NZS 4520 Appendix A.

The PA30 fire door will satisfy the requirements of NZBC, B2 "Durability" under conditions of use, installation and maintenance specified by Best Doors, or specific contractual guarantees, whichever are overriding.