

Best doors BP 30 Door Set -/30/30sm Installation

WALL TYPE: TIMBER STUD

FRAME TYPE: TIMBER

Frame materials available:

Timber minimum 30mm thick

Fasteners:

Frame - either nailed (75x3.2mm) or screwed (10gx75mm) at 600mm centres. Two nails or screws per location.

Stops - nailed (50x3.2mm) at 200mm centres.

Architrave - nailed (50x3.2mm) at 400mm centres.

Pryda Jamb-fixa brackets Type JBF100 at 500mm centres.

Head Fixing (minimum):

Single door - none required

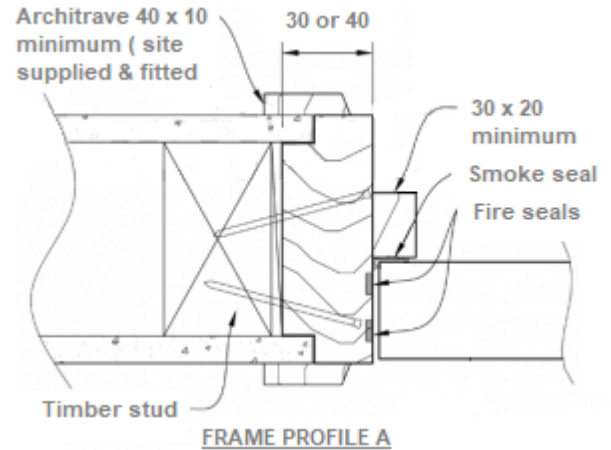
Paired door - double central fastener required

Stud size:

Ex 75x50mm minimum

Wedging gap:

0-6mm



WALL TYPE: TIMBER STUD

FRAME TYPE: TIMBER

Frame materials available:

Timber minimum 30mm thick (standard thicknesses are 30mm or 40mm)

Fasteners:

Frame - either nailed (75x3.2mm) or screwed (10gx75mm) at 600mm centres. Two nails or screws per location.

Stops - nailed (50x3.2mm) at 200mm centres.

Architrave - nailed (50x3.2mm) at 400mm centres.

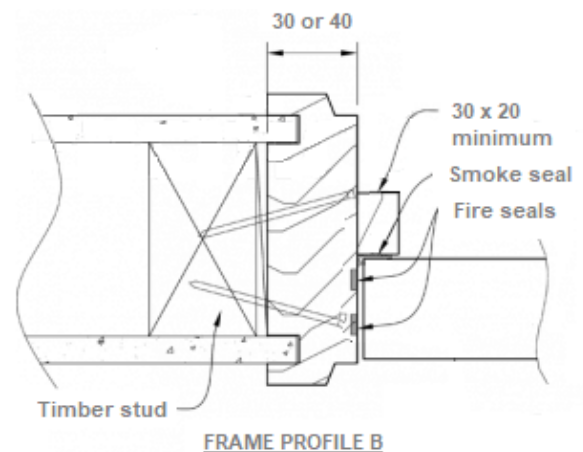
Pryda Jamb-fixa brackets Type JBF100 at 500mm centres.

Stud size:

ex 75x50mm minimum

Wedging gap:

0-6mm



WALL TYPE: TIMBER STUD

FRAME TYPE: TIMBER

Frame materials available:

Timber minimum 30mm thick (standard thicknesses are 30mm or 40mm)

Fasteners:

Frame - either nailed (75x3.2mm) or screwed (10gx75mm) at 600mm centres. Two nails or screws per location.

Stops - nailed (50x3.2mm) at 200mm centres.

Architrave - nailed (50x3.2mm) at 400mm centres.

Head Fixing (minimum):

Single door - none required

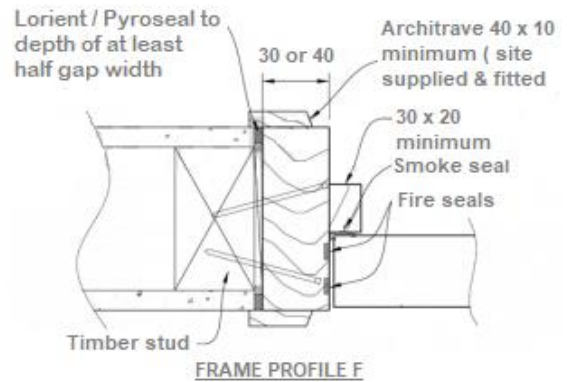
Paired door - double central fastener required

Stud size:

Ex 75x50mm minimum

Wedging gap:

0-6mm



WALL TYPE: TIMBER STUD

FRAME TYPE: STEEL

Frame materials available:

EGZ - 1.6mm

Cold rolled galvanised - 1.6mm

Fasteners:

Folded steel connection plates (as shown) to be supplied with frames.

Hook onto frame bracing straps and nail or screw to timber studs.

Frame connection plates either clouts (30 x 2.5mm gib clouts) or screw fixed.

Head Fixing (minimum):

Single door - none required

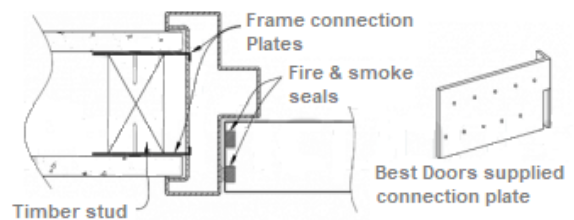
Paired door - single central fastener required

Stud size:

Ex 75x50mm minimum

Wedging Gap:

Not applicable



FRAME PROFILE D

Same method for G & J: wall thickness will determine profiles available

WALL TYPE: MASONRY

FRAME TYPE: TIMBER

Frame materials available:

Timber minimum 30mm thick (standard thicknesses are 30mm or 40mm)

Fasteners:

Frame - M8 'Ram set' Dynabolts at 600mm centres nominal.

Stops - nailed (50x3.2mm) at 200mm centres.

Architrave - nailed (50x3.2mm) at 400mm centres.

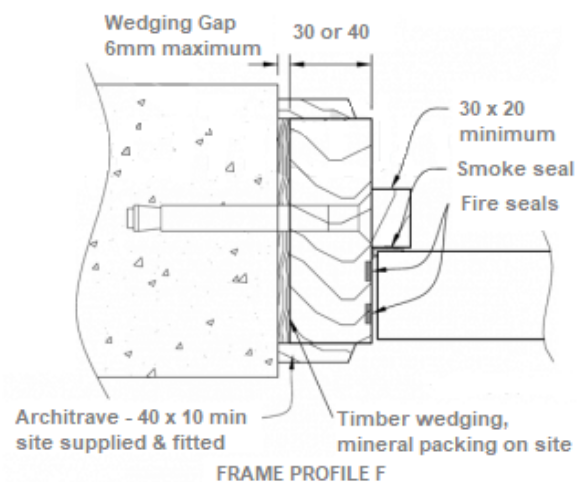
Head Fixing (minimum):

Single door - none required.

Paired door - single central fastener required.

Wedging gap:

0-6mm.



WALL TYPE: MASONRY

FRAME TYPE: STEEL

Frame materials available:

EG Z - 1.6 mm

Cold rolled galvanized - 1.6 mm

Fasteners:

Countersunk anchor method - Jamb fixings at 600 mm centres nominal: M10 expansion anchors eg Dynabolt D10102F (as shown) or M12 masonry screwbolts. The length of bolts MUST be confirmed on site to suit the frame openings formed.

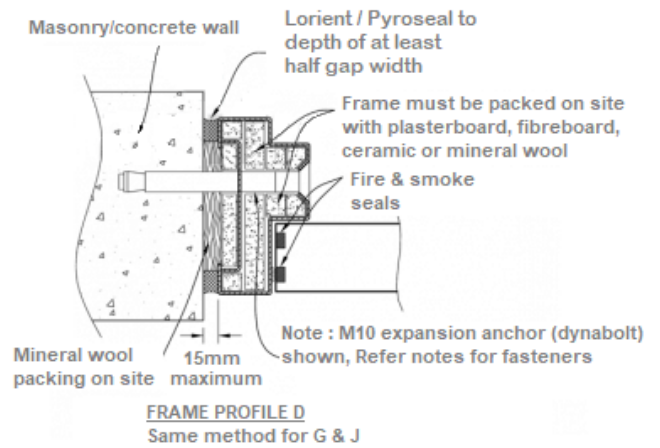
Head Fixing (minimum):

Single door - none required.

Paired door - single central fastener required.

Wedging Gap:

0-15 mm



WALL TYPE: STEEL STUD

FRAME TYPE: TIMBER

Frame materials available:

Timber minimum 30 mm thick (standard thicknesses are 30 mm or 40 mm)

Fasteners:

Frame - either nailed (75 x 3.2 mm) or screwed (10 g x 75 mm) at 600 mm centres. Two nails or screws per location.

Stops - nailed (50 x 3.2 mm) at 200 mm centres.

Architrave - nailed (50 x 3.2 mm) at 400 mm centres.

Pryda Jamb-fixa brackets Type JBF100 at 500 mm centres.

Head Fixing (minimum):

Single door - none required

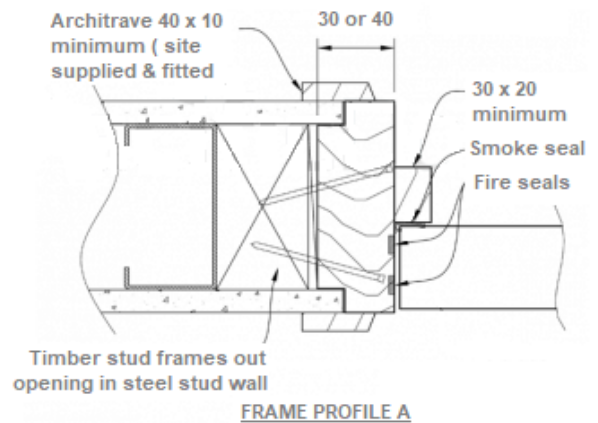
Paired door - double central fastener required

Stud size:

Steel stud minimum 63 mm, timber stud to match

Wedging gap:

0-6 mm



WALL TYPE: STEEL STUD

FRAME TYPE: TIMBER

Frame materials available:

Timber minimum 30 mm thick (standard thicknesses are 30 mm or 40 mm)

Fasteners:

Frame - either nailed (75 x 3.2 mm) or screwed (10 g x 75 mm) at 600 mm centres. Two nails or screws per location.

Stops - nailed (50 x 3.2 mm) at 200 mm centres.

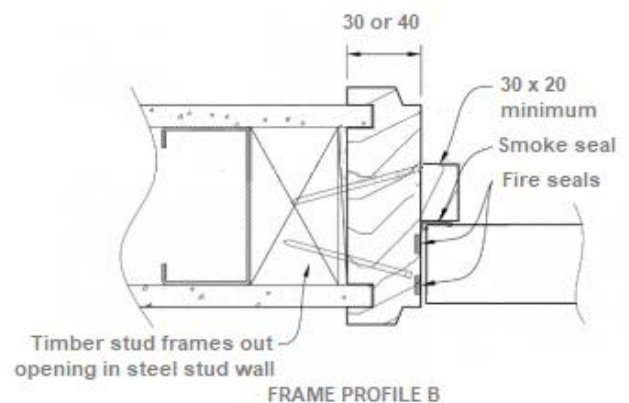
Architrave - nailed (50 x 3.2 mm) at 400 mm centres.

Pryda Jamb-fixa brackets Type JBF100 at 500 mm centres.

Head Fixing (minimum):

Single door - none required

Paired door - double central fastener required



Stud size:

Steel stud minimum 63mm, timber stud to match

Wedging gap:

0-6mm

WALL TYPE: STEEL STUD

FRAME TYPE: TIMBER

Frame materials available:

Timber minimum 30mm thick (standard thicknesses are 30mm or 40mm)

Fasteners:

Frame - either nailed (75x3.2mm) or screwed (10gx75mm) at 600mm centres. Two nails or screws per location.

Stops - nailed (50x3.2mm) at 200mm centres. Architrave - nailed (50x3.2mm) at 400mm centres.

Pryda Jam b-fixa brackets Type JBF100 at 500mm centres.

Head Fixing (minimum):

Single door - none required

Paired door - double central fastener required

Stud size:

Steel stud minimum 63mm, timber stud to match

Wedging gap:

0-6mm

