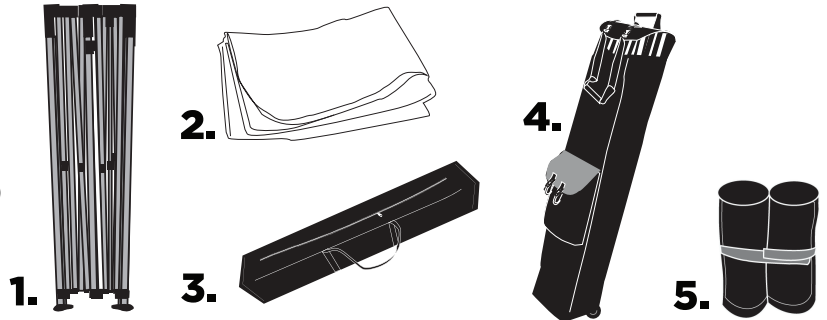


## PRODUCT PARTS

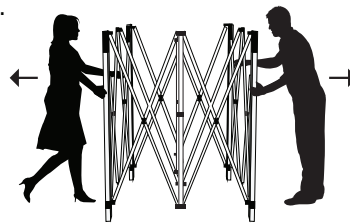
1. FRAME
2. CANOPY
3. ECONOMY BAG
4. DELUXE ROLLER BAG (OPTIONAL)
5. WEIGHT BAGS (OPTIONAL)



### STEP 1

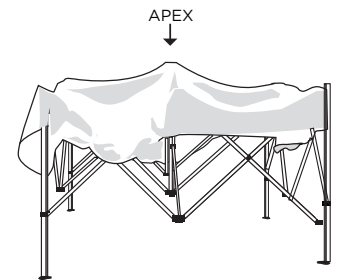
REMOVE THE FRAME FROM ITS PACKAGING AND PLACE AT DESIRED LOCATION.

IN TANDEM WITH ANOTHER PERSON, LIFT SLIGHTLY AND SEPARATE THE LEGS OF THE FRAME UNTIL THEY ARE EXTENDED AT FULL ARMS LENGTH.



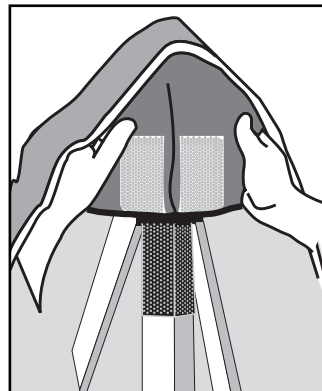
### STEP 2

UNFOLD YOUR CANOPY AND DRAPE IT OVER THE OPEN FRAME. POSITION THE APEX OF THE CANOPY ON THE CENTER POLE OF THE FRAME.



### STEP 3

ATTACH THE CANOPY TO THE FRAME BY CONNECTING THE VELCRO ON THE CANOPY CORNERS WITH THE VELCRO ON THE FOUR LEGS OF THE FRAME

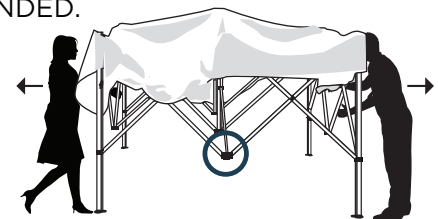


### STEP 4

STANDING ACROSS FROM EACH OTHER, LIFT THE "V" OF THE FRAME AND TAKE A STEP BACK. THE FRAME WILL OPEN A LITTLE AT A TIME.

LIFT AND GENTLY PULL BACKWARDS UNTIL THE FRAME IS FULLY EXTENDED.

**NOTE:** DO NOT DRAG THE FRAME BACKWARDS. THIS WILL BEND THE LEGS.

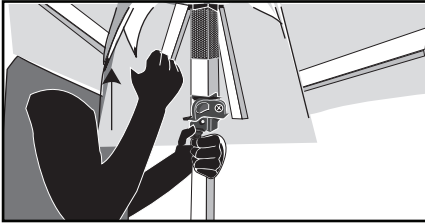


## SET-UP INSTRUCTIONS

NOTE: THIS IS A 2 PERSON SET-UP

### STEP 5

LIFT THE FRAMEWORK UPWARD UNTIL THE FOUR SLIDING CONNECTORS LOCK INTO PLACE ON THE LEGS OF THE FRAME.



### STEP 6

PLACE YOUR FOOT ON THE FOOTING OF THE FRAME LEG AS YOU EXTEND THE TELESCOPING LEGS TO THEIR FULL HEIGHT AND LOCK INTO PLACE.



MAKE SURE YOU HEAR A "CLICK" WITH EACH LEG.

### STEP 7

TO MOVE AN ASSEMBLED TENT, MAKE SURE TO HAVE A PERSON AT EACH LEG.



LIFT TOGETHER AND TRANSPORT CAREFULLY IN UNISON.

### CONTACT US

IF YOU HAVE ADDITIONAL QUESTIONS ABOUT THE TENT PARTS OR SET-UP, PLEASE CONTACT US.

**800-980-6871 | [hello@mvpvisuals.com](mailto:hello@mvpvisuals.com)**

## WARRANTY

ALL MVP PRODUCTS ARE DESIGNED TO PROVIDE THE USER WITH A COST-EFFECTIVE AND DURABLE PRODUCT. STANDARD WARRANTY INCLUDES MANUFACTURING DEFECTS. WARRANTY DOES NOT COVER DAMAGE DUE TO ACCIDENTS OR ABUSE. PRODUCTS FOUND TO BE DEFECTIVE WILL BE REPLACED OR REPAIRED AT MVP VISUALS' DISCRETION.

**NOTE:** FRAME MUST BE PROPERLY SECURED TO PREVENT WIND FROM LIFTING TENT AND CAUSING DAMAGE. FAILURE TO SECURE TENT PROPERLY WILL VOID WARRANTY. MVP TENTS ARE NOT RECOMMENDED TO BE USED IN EXTREME WEATHER OR FOR IN LONG TERM/PERMANENT OUTDOOR SETTINGS.

## STORAGE

STORE TENTS IN A COOL, DRY PLACE. FRAME AND CANOPY SHOULD BE COMPLETELY DRY PRIOR TO STORAGE. FRAME CAN BE COLLAPSED WITH CANOPY ATTACHED OR CANOPY CAN BE REMOVED AND FOLDED.

