

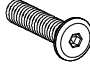





PARTS AND HARDWARE.

PARTS LIST

No.	DESCRIPTION	IMAGE	Q'TY
A	TOP		1
B	LEGS		4

HARDWARE LIST

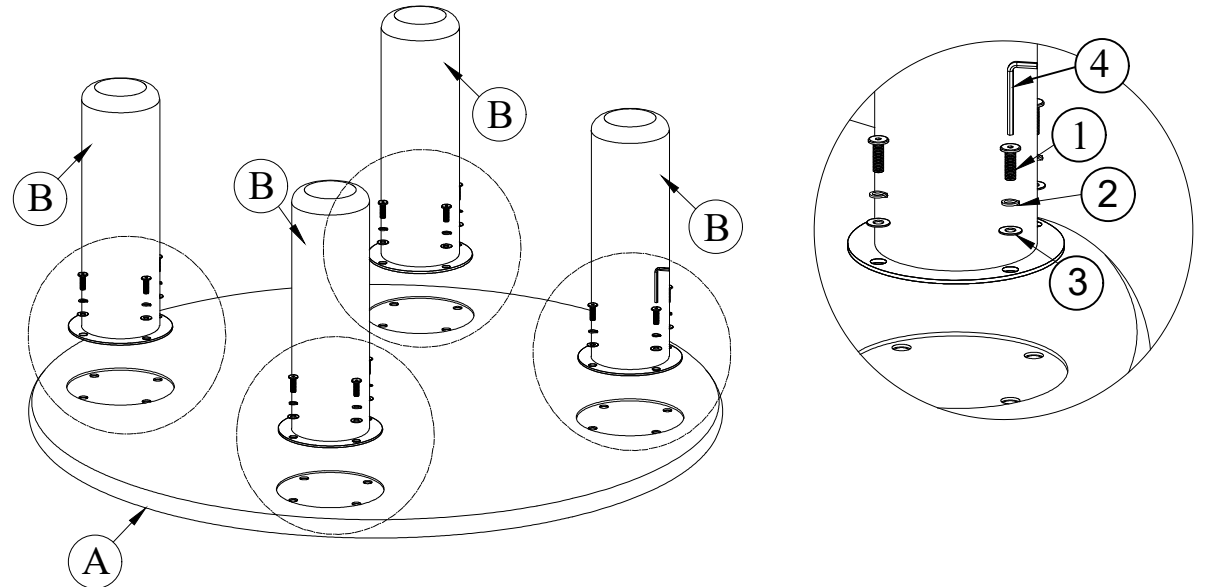
No.	DESCRIPTION	IMAGE	Q'TY
1	BOLT M8x15		16
2	LOCK WASHER Ø8xØ12		16
3	WASHER Ø8xØ16		16
4	ALLEN KEY K4		1

NOTES.

Thank you for purchasing this quality product! Be sure to check all packing material carefully for small part that may have come loose inside the carton during shipping.

CAUTION: The item is heavy, assembly should be performed by two people.

STEP 1.



STEP 2.

