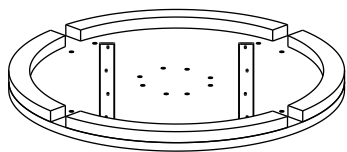


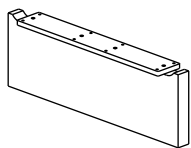
PART LIST

A



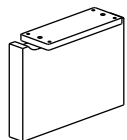
Top = 1 pc

B



Long Leg = 1 pc

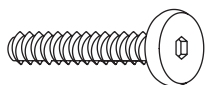
C



Short Leg = 2 pcs

HARDWARE LIST

1. Bolt



M6 16 pcs

2. Spring washer



M6.5 16 pcs

3. Flat washer



M6.5 16 pcs

4. Allen key



1 pc

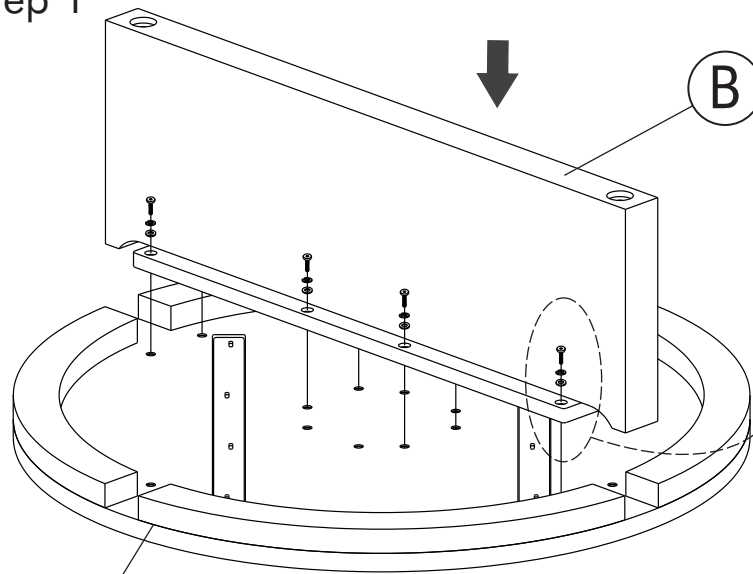
NOTES.

Thank you for purchasing this quality product! Be sure to check all packing material carefully for small part that may have come loose inside the carton during shipping.

CAUTION:

The item is heavy, assembly should be performed by two people.

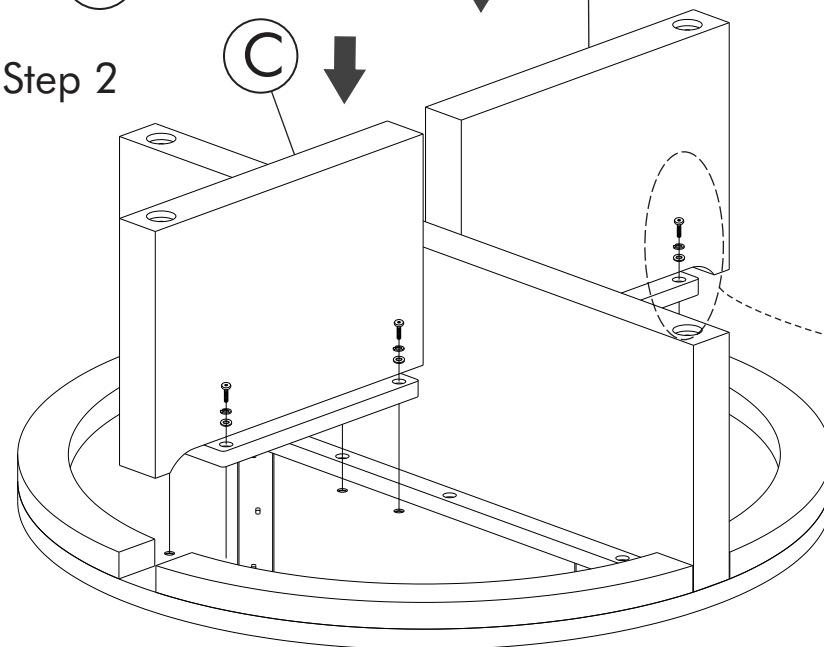
Step 1



A

C

Step 2



C

